

# KALFIRE

FIREPLACES

## Installation<sup>Ⓢ</sup> instructions

Ⓢ BALANCED-FLUE GAS FIRES

KALFIRE.COM



## Balanced-flue gas fires Kalfire G

G60/48F, G65/44C, G70/44S  
G80/48F, G85/44C, G90/44S  
G100/41F, G105/37C, G110/37S  
G120/41F, G125/37C, G130/37S  
G160/41F, G165/37C, G170/37S

**for gas type: G20, G25, G30 and G31**

## Balanced-flue gas fires Kalfire GP

GP60/59F, GP65/55C, GP70/55S  
GP60/79F, GP65/75C, GP70/75S  
GP75/59F, GP80/55C, GP85/55S  
GP80/54T, GP85/50R  
GP105/59F, GP110/55C, GP115/55S  
GP110/59T, GP115/55R,  
GP110/79T, GP115/75R

**for gas type: G20, G25, G30 and G31**

and

GP105/79F, GP110/75C, GP115/75S

**for gas type: G20 and G25**

*Available in French on request /*

*Available in German on request*



## Contents

<b>1. General information</b>	<b>6</b>		
1.1 Foreword	6		
1.2 Pictograms	6		
1.3 Warranty	6		
1.4 Compatibility iMatch interface	7		
1.5 Receipt and verification	7		
<b>2. Safety</b>	<b>8</b>		
2.1 Safety related to installation	8		
2.2 Gas and electricity already installed	8		
2.3 Installation instructions	8		
2.4 Safety instructions for decorative elements	9		
2.5 Safety related to use	9		
2.6 Three safety measures for the gas fire	10		
<b>3. Description</b>	<b>11</b>		
3.1 Description of the gas fire	11		
<b>4. Preparation</b>	<b>12</b>		
4.1 Preliminary work with the help of a scale drawing	12		
4.2 Chimney calculation	12		
4.3 Check the gas fire and determine the location of the technical unit	13		
<b>5. Installation</b>	<b>14</b>		
5.1 Installing the flue duct and roof pass-through	14		
5.1.1 Configure the concentric flue duct system	14		
5.1.2 Connect roof pass-through of existing flue duct C91 (option)	14		
5.2 Placing the gas fire	15		
5.2.1 Fitting and mounting the gas fire	15		
5.2.2 Adjusting the stone support	16		
5.2.3 Installing a continuous rear panel (option)	16		
5.2.4 Connecting the gas fire	16		
5.3 Cleaning and testing the gas fire	17		
5.4 Gas measurement	17		
5.5 Sustainability measurement	17		
5.6 Placing the restriction plates	18		
5.7 Placing and finishing the surround	18		
5.8 Placing decorative elements	20		
5.9 Operating with an external switch (option)	21		
5.9.1 Connecting home automation system (option)	21		
5.9.2 SDS-DOMO combi-cable for external switch (option)	21		
5.10 Connector for external appliances (option)	21		
5.11 Connecting the iMatch interface (option)	22		
<b>6. Operation</b>	<b>23</b>		
6.1 Replacing the batteries	23		
6.2 Operating the iMatch remote control	23		
6.3 Installing day and night settings	24		
6.4 Checking transmission strength	24		
6.5 Switching the appliance on and off	24		
6.6 Setting the flame intensity	24		
6.7 Selecting the thermostat or manual operating programme	24		
6.8 Setting the flame intensity by thermostat	24		
6.9 Programming the time blocks	24		
6.10 Programme choice for the hybrid LED lighting	25		
		6.11 Activate/deactivate the hybrid LED lighting and adjust light intensity	25
		6.12 Set the Natural Spark Generator	25
		6.13 Fill the National Spark Generator	25
		6.14 Installing iMatch app	26
		6.15 iMatch app settings	26
		6.16 How to use the iMatch app	26
		<b>7. Maintenance</b>	<b>28</b>
		7.1 Maintenance	28
		7.1.1 Cleaning the (standard) ceramic windows	28
		7.1.2 Cleaning instructions for non-reflecting glass	28
		7.1.3 Door dismantling and assembly (corner and three-sided appliances)	29
		7.1.4 Assembly and disassembly of the hearth extension and surround (Kalfire GP75/59F)	29
		7.1.5 Door dismantling and assembly (front and tunnel fireplaces)	30
		7.2 Malfunctions	30
		7.2.1 Removing or resetting a malfunction	30
		7.2.2 Error codes iMatch remote control	31
		7.2.3 Error codes iMatch interface	33
		7.3 Natural Spark Generator malfunction	33
		<b>A. Appendices</b>	<b>34</b>
		A.1 Flue duct configurations 1 through 7	35
		A.2 TP01 and TP02: Installing Gas Valve	46
		A.3 Product card	47
		A.4 Restriction plates (G20, G25 and G30)	49
		A.5 Configuration of the decorative elements	50
		A.5.1 Placing decorative elements Kalfire G60 series	50
		A.5.2 Placing decorative elements Kalfire G60 series Exclusive log set	52
		A.5.3 Placing decorative elements Kalfire G80-series	54
		A.5.4 Placing decorative elements Kalfire G80 series Exclusive log set	56
		A.5.5 Placing decorative elements Kalfire G100 series	58
		A.5.6 Placing decorative elements Kalfire G100 series Exclusive log set	61
		A.5.7 Placing decorative elements Kalfire G120 series	64
		A.5.8 Placing decorative elements Kalfire G120 series Exclusive log set	67
		A.5.9 Placing decorative elements Kalfire G160 series	70
		A.5.10 Placing decorative elements Kalfire G160 series Exclusive log set	73
		A.5.11 Placing decorative elements Kalfire GP60/59 and GP60/79 series	76
		A.5.12 Placing decorative elements Kalfire GP75/59-series	78
		A.5.13 Placing decorative elements Kalfire GP80/54T and GP85/50R-series	82
		A.5.14 Placing decorative elements Kalfire GP105/59 series	86
		A.5.15 Placing decorative elements Kalfire GP105/79 series	90
		A.5.16 Placing decorative elements Kalfire GP110/59T, GP115/55R and GP110/79T, GP115/75R	94
		A.6 Wiring diagram	99
		A.7 Technical specifications by appliance	101
		A.8 Certificate of compliance	107
		A.9 Attestation of Conformity remote control	108
		A.10 Drawing Technical Unit	109

# 1. General information

The following sections provide general information about the gas fire:

- Foreword
- Pictograms
- Warranty
- iMatch interface compatibility
- Receipt and verification

## 1.1 Foreword

### About this manual

This Installation Manual has been written for authorised technicians and contains the information needed to install a Kalfire gas fire. A separate User instruction accompanies this installation instructions. The user instructions should remain in the vicinity of the gas fire so that they are readily available for fireplace users.

The gas fire may only be installed by qualified technicians complying with all relevant national or local regulations. The current technology status, the provisions of the Building & Housing Inspectorate and the national and European regulations should be taken into account with regard to the installation work and the operation of the gas fire once fully connected.

Maintenance and repair work may only be carried out by authorised technical fitters.

### Effective use

This gas fire has been designed as ambient heating and has not been designed to be used as the principal heating unit for part of a house or throughout the house.

The gas fire and accompanying remote control may only be used in accordance with the reason it was designed and after review of the Installation Manual and user instructions.

Modifications of whatever nature can also affect the safety of the gas fire. Alterations can nullify the warranty and the periodic inspection of the gas fire will come to lapse.

If the gas fire is not installed correctly, all warranty and/or damage claims against Kalfire will be declared null and void.

This gas fire has been tested and approved according to CE standard EN-613. Every gas fire that leaves the factory has been tested for technical and functional adherence to relevant quality standards in force.

This user instruction is available in various languages on [www.kalfire.com](http://www.kalfire.com), or through your installation bureau. All translated instructions have been translated from a Dutch instruction, which is the original document.

### Disclaimer

All rights reserved. No part of this manual may be copied, distributed or translated into other languages, in full or in part, without the prior written permission of Kalfire. Kalfire reserves the right to make changes to the manual. Kalfire, however, cannot provide any warranty, implicitly or explicitly, for this manual. Any risk is fully for the account of the user.

Copyright © 2022 Kalfire B.V. Geloërveldweg 21, Belfeld, The Netherlands

## 1.2 Pictograms

The following pictograms are used in this manual;



**IMPORTANT!** Warning for explosive material. Mitigate the risk of an explosion by carrying out these instructions carefully in the vicinity of explosive materials.



**DANGER!** Warning for flammable material. Follow instructions to ensure that the possibility of fire thanks to the sudden ignition of flammable materials is prevented.



**WARNING** General warning. Mitigate the risk of injury by carrying out the instructions carefully.



**CAREFUL!** General warning. Mitigate the risk of material damage by following the instructions diligently.

## 1.3 Warranty

Kalfire products are manufactured with meticulous precision from premium materials. Despite this, should an error or defect become apparent, Kalfire will provide warranty coverage according to the following provisions.

### Warranty conditions

1. The warranty period for Kalfire gas appliances amounts to two years from the procurement date, that must be clearly legible on the proof of purchase.
2. The warranty period of 2 years does not apply to discolouration of the varnish on flat surfaces or design on the back and sides; in this case a warranty period of 1 year applies.
3. Glass and rubber seals are excluded from the warranty.
4. Physical and chemical influences from outside during transport, storage or installation are not covered by the guarantee.
5. The gas fire must be installed by a technician approved by Kalfire according to the accompanying Installation Manual and in compliance with all relevant national and regional standards in force.
6. Kalfire assumes no responsibility for errors or defects related to the installation of the gas fire. Placing of the appliance, the quality and material choice of the finished product and a check as to the correct operation of the concentric flue duct system are the responsibility of the technical fitter approved by Kalfire.
7. The warranty covers no right whatsoever to compensation in the event that the appliance cannot be used.
8. Should disruption occur within the warranty period caused

by a manufacturing error or material defect, Kalfire will deliver the components needed for repair to the technical fitter of the gas fire, without paying compensation for dismantling or assembly.

9. Renewing or replacing components that fall under the scope of the guarantee do not extend the duration of the warranty.
10. Should the Kalfire-approved installer be unable to rectify the problem covered by the warranty, then he is entitled upon his own express desire to request Kalfire to assume responsibility for doing so (only valid in the Benelux, Germany, France and the United Kingdom).
11. Verification or repair of an entire gas fire or parts thereof can only take place by appointment, after prior consultation between Kalfire and the technical fitter approved by Kalfire.
12. A dated proof of purchase must be presented to Kalfire should a possible home repair service (only available in the Benelux, Germany, France and the United Kingdom) be carried out within the warranty period.
13. In the event of home repair service outside the warranty period, material costs, working hours and call-out charges will apply.

**The warranty is not applicable in the following circumstances:**

1. If the warranty provisions have not been complied with, in part or in full.
2. If alterations to the appliance have been brought about without Kalfire's written permission to do so.
3. If the appliance passes into new ownership.
4. If the appliance has not been fitted according to the Installation Manual and/or has not been used according to the user instructions.
5. Should deviation from the Kalfire specifications have occurred in any way or form during installation of the concentric flue duct system.
6. Should deviation from the Kalfire specifications have occurred in any way or form during configuration of the decorative elements, including possible ceramic wood logs on the burner bed.
7. Damage attributable to external causes (shocks, lightning, falling, flooding or overheating of the appliance) during transport, storage or installation.
8. Should the appliance be impacted by neglect, improper use and/or gross negligence.
9. If the repair or delivery of individual parts be carried out by another manufacturer or by a professional technical fitter who has not been approved by Kalfire.

#### 1.4 Compatibility iMatch interface

The iMatch interface enables the appliance to be operated by an external application such as a tablet or smartphone. The iMatch interface ensures that connection is made between the local Wi-Fi network and the appliance. In some cases it can happen that the interface does not function adequately. This can be caused by insufficient coverage (signal) by the Wi-Fi network or because the appliances connected to one another (including telephone, tablet or router) are incompatible. The iMatch interface and your external appliance must be connected to the same router

(through the same network). The Wi-Fi signal can be checked in advance and can be improved if required. With regard to the huge diversity of appliances, their compatibility can regrettably not be confirmed beforehand. Only after installation of the interface can compatibility be confirmed. Kalfire accepts no liability for the non-functioning, or insufficient functioning, of the iMatch interface as a consequence of the cause described above.

#### 1.5 Receipt and verification

##### Verification upon receipt

The gas fire is delivered as a fully-assembled appliance. The appliance is ready for use immediately after installation. Report any damage, missing parts or incorrect deliveries within five working days to Kalfire (according to the supply terms and conditions). Check the following upon receipt;

1. Check that the packaging has not been damaged.
2. Check the product's glass panels for cracks or breakages.
3. On delivery, report damage caused during transport to the shipper on the packing slip.
4. Check that all parts/accessories have been delivered.
5. Check if the correct product has been delivered.
6. Check if the gas specifications comply with your order form.

##### Scope of delivery

Supply scope of the gas fire:

- Gas fire
- Technical unit (including piping, wiring and silicone hose for measuring sustainability indicators)
- iMatch remote control
- Installation Manual
- User instructions
- Ceramic logs and furnishings, ceramic log set and decorative elements (Kalfire GP)
- Ceramic log set and decorative material, white pebbles, grey split or cryptonite (depending on the chosen decorative elements for the Kalfire G).
- Restriction plates
- Spray paint
- Energy label

## 2. Safety

The following sections provide safety information about the gas fire:

- Safety related to installation
- Gas and electrical units already installed
- Installation regulations
- Safety regulations for decorative elements
- Safety related to use
- Three safety measures for the gas fire

### 2.1 Safety related to installation

Installation of the gas fire requires diligent pursuit of procedures. During installation, please adhere to the regulations that apply to safety and health in your country (the Working Conditions Act, for example).

#### General installation instructions:

- The procedures described may only be carried out by authorised technical professionals.
- Follow the installation procedures diligently to avoid damage and accidents.
- Use adequate protection resources during installation.
- Ensure that local circumstances such as gas pressure and the type of gas are consistent with the information on the data identification plate of the gas fire.
- Only install a gas fire in an area that has sufficient ventilation in compliance with the standards in force.
- Always conduct a chimney calculation, as indicated in the Chimney Calculation.
- Always make use of a concentric flue duct system that complies with the approval conditions of your gas fire.
- Adhere to the installation regulations as stated.

### 2.2 Gas and electrical units already installed

#### Concentric flue duct system confirmation

The gas piping and gas control valve to the fireplace need to be installed by an authorised fitter and are not supplied with the appliance. The diameter of the gas piping must be determined for each appliance in compliance with the directives in force:

- NEN 1078 and NPR 3378 apply to The Netherlands.
- NBN D51-003 (chimney connection and gas connection) applies to Belgium.
- Arbeitsblatt G600 DVGW-TRGI applies to Germany.

#### Gas specification confirmation

Check to confirm that the gas specifications comply with the installation. The data identification plate indicates the gas type and gas pressure that is suitable for the appliance. The identification plate is located on the inside door of the technical unit and at the rear right of the bottom of the appliance. Kalfire should be consulted if you wish to use a gas fire together with another gas type.

#### Electrical installation confirmation

The electrical installation to the gas fire must be installed by an approved fitter and is not supplied with the appliance. Power supply and required electrical power:

1. For all appliances without hybrid LED lighting: 230V/22W.
2. For all appliances with hybrid LED lighting and Natural Spark Generator: 230V/40W.



**WARNING** The gas fire needs a permanent power supply. Errors recorded earlier are lost during any interruption of power supply. Regular interruption of the power supply impacts the safety mechanisms, whereby hazardous situations can arise.



**WARNING** If there is a two-phase network, an isolating transformer must be installed. This transforms the 2 phase network into a standard 1 phase network of 230V.

### 2.3 Installation instructions

The following conditions must be adhered to during installation:



**WARNING** Ensure sufficient ventilation where the fireplace is to be installed. The installation area is sufficiently ventilated if: *The nominal power of the appliance in kilowatt / content of the installation area in cubic metres is less than 35.*

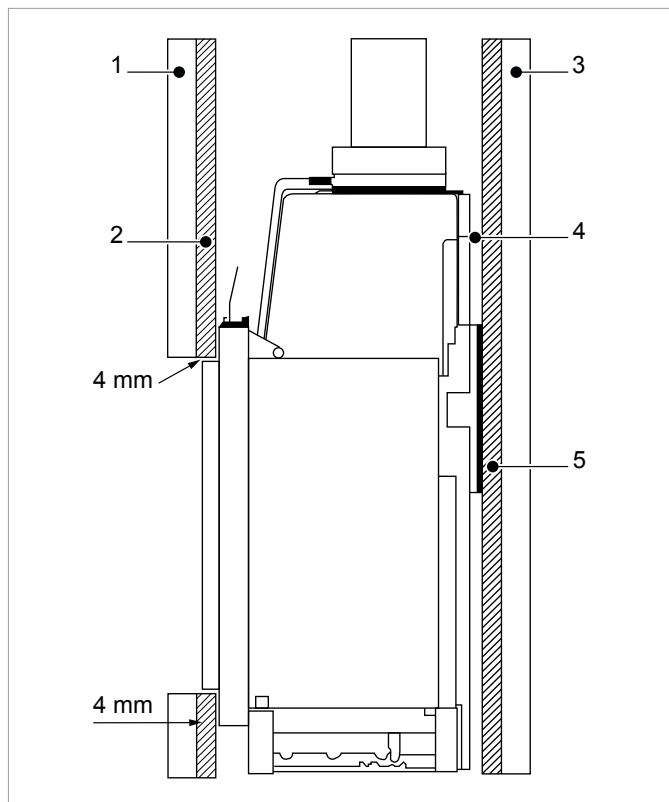
- Reference is made to both national and local provisions in force to determine a safe distance from the wall against which the appliance is mounted and the adjacent walls, roof ducts and windows.
- Only non-flammable materials should be used during installation of the gas fire.
- Ensure sufficient ventilation in the area in which the gas fire is to be installed. The installation area is sufficiently ventilated if: *The nominal power of the appliance in kilowatt / content of the installation area in cubic metres is less than 35.*



**WARNING** No flammable materials may be used close to the concentric flue duct system. High external wall temperatures up to approximately 150°C form a burn hazard. Keep a minimum distance of 80 mm from flammable materials.

- The floor on which the appliance is mounted must consist of **heat-resistant material**. Should that not be the case, then no flammable material may be placed under the appliance. This also goes for the walls behind and adjacent to the fireplace and the ceiling.
- The temperature **of the wall and/or** walls against which the appliance is placed may not exceed 85°C. Before placing the appliance, these walls must be insulated with fire-resistant material. This fire-resistant material should be insulated with, for example, a 3-cm calcium-silicate plate (0.1W/m.K). A gap should also be left between the fireplace and the insulated fire-resistant material.
- The materials used for the **surround** of the gas fire need to be heat resistant and fire-free. The gas fire may **under no circumstances** be insulated. Material, stucco and wallpaper with which the wall has been finished - and the wall above the gas fire in particular - must be heat resistant.
- No flammable materials may be used close to the **concentric flue duct system**. High external wall temperatures up to approximately 150°C form a burn hazard. Keep a minimum distance of 80 mm from flammable materials.





**Fig. 1: Walls**

- 1.3 flammable material
- 2.5 Fire-resistant plate material (0.1W/m.K)
- 4 Air cavity min. 2 cm

**CAREFUL!** The gas fire and the surround have different expansion rates. The gas fire must be mounted at least **4 mm** from the **stone** to prevent damage. Too little room causes undesirable material tension.

- Do not expose the **technical unit** to direct heat radiation; the maximum authorised temperature is 65 degrees Centigrade.
- The expansion coefficients of the gas fire and the surround differ from one another. The gas fire must be mounted at least 4 mm from the stone to prevent damage. Too little room causes undesirable material tension.

#### 2.4 Safety instructions for decorative elements

**FIRE HAZARD!** The decorative elements must be placed according to the instructions. It is prohibited to alter the number of decorative elements or the configuration thereof. Such alterations can lead to hazardous situations in terms of fire safety.

**WARNING** The ignition or ionisation rods must be left uncovered. Ensure this is the case when placing the decorative elements. Careless decoration of the gas fire can cause incorrect ignition, an error code (08A or 08F) or a hazardous situation.

**WARNING** If the fireplace is delivered with the Natural Spark Generator, the adhesive tape with which the iron filter cap has been secured should be removed during installation. During installation of the fireplace components, the filter cap is covered with a ceramic wood log or a piece of ceramic charcoal (depending on the Kalfire GP model).

**CAREFUL!** During operation of the appliance, small hairline cracks may develop in the ceramic logs. These have no negative impact on the operation or flame profile of the appliance. Hairline cracks do not fall under the warranty.

**CAREFUL!** When heated, the gas fire's internal metal lining can expand. This can cause the layer of paint on the metal to deform, resulting in damage or imperfections. The spray paint supplied with the gas fire allows any paint damage to be fixed.

#### 2.5 Safety related to use

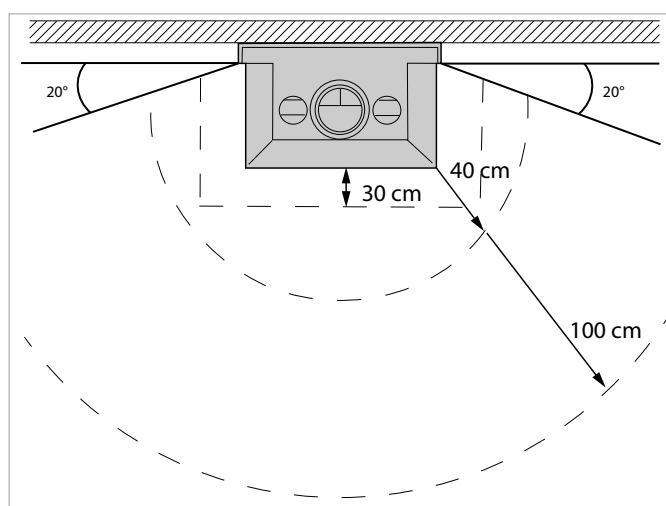
There are risks attached to using a gas fire. The temperature of all visible parts of the gas fire can rise steeply and there is a risk of fire or combustion. Be sure that the following safety precautions have been taken:

**WARNING** After installation of the gas fire, the visible parts of the appliance (including the glass surface) are considered as part of the active zone. Especially the glass can get extremely hot! Children and dependants are to stay clear of the burning gas fire.

#### Fire hazard

**WARNING** Make sure that **flammable materials** such as curtains and furniture are at least 100 cm from the fireplace. If a fireguard is used, this distance must be at least 40 cm.

**WARNING** Should the floor in front of the fireplace consist of combustible material and the distance from the underside of the combustion chamber to the floor be smaller than 10 cm, a heat-resistant fireguard floor plate larger than 30 cm or a stone should be placed.



**Fig. 2: Safe zone**

### Danger of combustion



**FIRE HAZARD!** Do not touch the appliance! The gas fire is hot when switched on or just switched off. Ensure extra safety precautions and safety measures if less able-bodied persons, elderly people and/or children have access to the fireplace. Only the remote control and the technical unit can be used without fear of danger due to combustion.

### Danger caused by fumes or gas leaks



**DANGER OF EXPLOSION!** Fumes and/or gas leaks can cause life-threatening situations. Fumes can be the cause of carbon monoxide poisoning and gas leaks are an explosion risk.

If you notice fumes or gas, take the following precautions:

1. Switch off the gas fire.
2. Close the main gas valve.
3. Open windows and doors.
4. Advise an approved installer of the issue.



**DANGER OF EXPLOSION!** Should damage occur, close the gas valve. Do not use the gas fire if a glass panel is cracked, is not in place or incorrectly mounted.

The gas fire needs a permanent power supply. Interrupting the power supply can impact safety precautions.


### The risk of discolouration



**CAREFUL!** After the convection system of the fireplace has been heated, air particles, cigarette smoke, candles and oil lamps can cause discolouration of walls and ceilings. Ensure sufficient ventilation in the room in which the fireplace is installed.

## 2.6 Three safety measures for the gas fire

### 1. The flame is detected due to electronic ionisation measurement

Should the gas fire be unable to detect a flame during ignition, the gas supply will be interrupted for one minute. A new ignition attempt will follow automatically. To interrupt automatic ignition attempts; Press the  button to switch off the fireplace directly and depress this button for approximately 10 seconds.

### 2. 24 hour security

The appliance will stay in a blocked position if no flame is detected after three automatic ignition attempts (error code 08A). The block will take effect after one ignition attempt with gas type G30 and G31. This block can twice be unlocked manually with the remote control. If no flame is detected after two manual releases, the appliance will remain blocked for 24 hours (a 'lock-out', code 08F). In that case, you may not use the gas fire for 24 hours.

### 3. Overpressure protection

The gas fire is equipped with overpressure protection to minimise risk. Should explosive ignition occur, the glass panel on the front topside will open to reduce the pressure.

### 3. Description

The following sections describe the gas fire:

- Description of the gas fire.

#### 3.1 Gas fire description

Kalfire gas fires are internationally renowned for their realistic, enchanting flames. Kalfire appliances are easy to operate and maintain. Kalfire balanced-flue gas fires are equipped with an innovative Prestige or 3D burner, enhancing their environmental friendliness, sustainability and economy.

##### Balanced-flue gas fires

The patented Prestige burner radiates a realistic impression of wood fire. The Prestige burners are integrated in the ceramic log sets stacked in the appliance in pyramid form. This creates the impression of a high and voluminous flame pattern.

The Kalfire GP can be delivered with the Natural Spark Generator (optional). This ensures that sparks emanate from the burning flames in a natural manner, and continue to burn slowly. This spark generator option is mounted inside the gas fire during manufacture by Kalfire and cannot be added at a later stage.

The Kalfire GP can also be delivered with an optional hybrid function. The gas fire's fuel bed is equipped with LED lighting that simulates a bed of natural embers. The lighting generates an atmospheric imitation of the glow of a real wood fire. The hybrid function can also be switched on separately without engaging the Prestige burner.

The Kalfire G with a 3D burner generates an elongated and horizontal flame pattern, well suited to a modern household

interior. The 3D burner offers a particularly attractive and true-to-life flame pattern. Kalfire G gas fires are delivered with a standard or optional luxury ceramic log set, white stones, grey pebbles or cryptonite.

##### Smooth transition between gas fire and surround

The balanced-flue gas fires are easy to align with the household interior during installation. The gas fire stone, often made from natural stone, can continue along the outer edge of the gas fire with the help of stone supports. The side walls can be fluidly finished in the surround of the gas fire. The back wall can be extended to outside the gas fire, meaning the metal lining remains invisible.

##### Operation

The balanced-flue gas fire can be operated with the iMatch remote control as standard. This enables the gas fire to be switched on or off and the height of the flames can be adjusted. A choice can be made from eight modes as well as an ECO-line. The ECO-line automatically generates a varied and alternating flame pattern. This reduces gas use considerably.

If the house is equipped with a home automation system, then operation of the appliance can be integrated into that system. The gas fire can also be controlled by the iMatch App on a smartphone or tablet. This is only possible if the gas fire is equipped with the optional iMatch interface, that serves as the receiver.

## 4. Preparation

The upcoming sections provide preparatory information prior to installation of the gas fire:

- Preliminary work with the help of a scale drawing
- Chimney calculation
- Check the gas fire and determine the location of the technical unit

### 4.1 Preliminary work with the help of a scale drawing

You can use to your advantage a scale drawing prior to and during the placing of the concentric flue duct system and the gas fire. Scale drawings are available on the <http://www.kalfire.com/en/fireplaces> website. Select the correct gas fire type here. Once you have made your choice, a page will open on which you will find "technical information". The subject "documents" with the scale drawing of the gas fire can be found there too.

### 4.2 Chimney calculation

Calculate the concentric flue duct system with the values of the chimney calculation or make a choice from the configurations in the appendices. See: [flue duct configurations 1 through 7 on page 35](#).

A chimney calculation is made for the roof pass-through and the wall pass-through. The chimney calculation is suitable for gas types G20, G25, G30 and G31. Kalfire cannot guarantee proper operation of the fireplace if your configuration does not comply to the chimney calculation.



**CAREFUL!** Many elbows and/or horizontally-mounted components of the flue duct can create substantial resistance. The flame pattern can vary considerably because the combustion air cannot easily reach the gas fire.

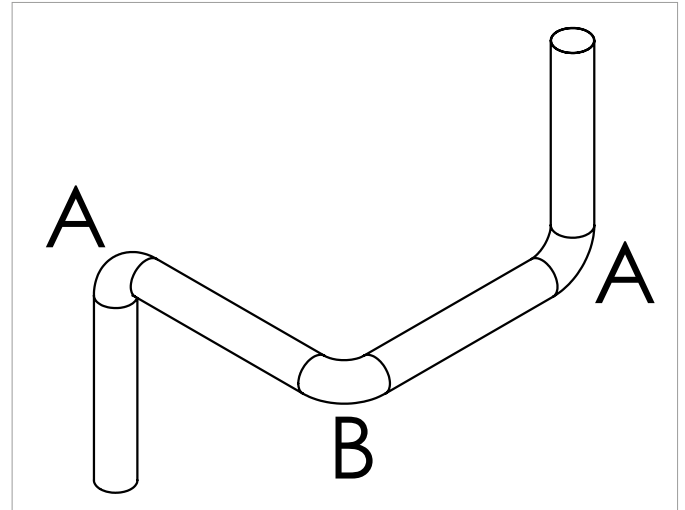


Fig. 3: Flue duct components

Table 1: Calculation values chimney calculation

Components	Calculation values	Maximum permitted Kalfire G	Maximum permitted Kalfire GP
First vertical metre	+9		
Second metre and subsequent vertical metres	+1	23 metres	11 metres
1 metre horizontal pipe	-1	7 metres	5 metres
1 90° vertical elbow (A)	-2	3 units	3 units
1 45° vertical elbow	-1	6 units	6 units
1 90° horizontal elbow (B)	-4	2 units	2 units
1 45° horizontal elbow	-2	4 units	4 units

Example of chimney calculation

Used parts	Calculation values
1x 1st vertical metre	+9
1x 2nd vertical metre	+1
2x metre horizontal pipe	-2
2x 90° vertical elbow (A)	-4
1x 90° horizontal elbow (B)	-4

Result:  $9 + 1 - 2 - 4 - 4 = 0$ . (This chimney calculation is not acceptable, it must be at least 0.5)



**WARNING:** the sum of all calculation values must be higher than 0.5. At a value lower than 0.5, the gas fire will not function according to standard EN613. Deviating configurations can be presented to Kalfire for written approval.

### 4.3 Check the gas fire and determine the location of the technical unit

#### Confirm mechanical operation

Check if all moving parts of the gas fire are functioning correctly, principally the door, before installing the fireplace.

#### *Determine the location of the technical unit*

The technical unit must be placed in an accessible location, preferably in the side wall of the surround. Ensure that the technical unit is not exposed to direct heat radiation. See: [Installation Instructions on page 8](#) and [Fig. 18: Minimal distance of the technical unit on page 20](#).

Determine if the technical unit should be temporarily disconnected from the gas fire for installation purposes. If the technical unit needs to be disconnected, the following steps should be observed:

1. Remove the automatic burner relay from the technical unit.
2. Disconnect the earth wire on the automatic burner relay.
3. Unscrew the bolt connected to the earth wire at the rear of the technical unit.
4. Disconnect the earth wire from the rear of the technical unit.
5. Remove the ionisation cable (shielded and with a black cover at the end).
6. Loosen the white plug next to the ionisation cable by carefully pressing the lock on the plug and gently pulling the plug forward at the same time.  
Disconnect the flexible gas pipe on the side of the fireplace.  
Seal the connector and pipeline completely so that no filth can get in.
9. Disconnect the 24V cable.
10. Disconnect the 12V adaptor (for Kalfire GP appliances).
11. Disconnect the hybrid cable (for Kalfire GP appliances).
12. Disconnect the cable for the NSG valve/cover (for Kalfire GP appliances).

## 5. Installation

The upcoming sections provide information about the installation of the gas fire:

- Installing the flue duct and roof pass-through
- Configuring the concentric flue duct installation
- Connecting roof pass-through of existing flue duct C91 (option)
- Placing the gas fire
- Fixing and mounting the gas fire
- Fixing stone supports
- Continuous rear wall finishing (option)
- Connect the gas fire
- Cleaning and testing the gas fire
- Gas measurement
- Placing the restriction plates
- Placing and finishing the surround
- Placing decorative elements
- Operating with an external switch (option)
- Connecting the iMatch interface (option)
- Connecting the home automation system (option)
- Connector for external appliances (option)

### 5.1 Installing the flue duct and roof pass-through

Place the flue duct and roof pass-through according to the manufacturer's instructions. Take the material regulations into account. See: [Installation Instructions, page 8](#).

#### 5.1.1 Configure the concentric flue duct system

**WARNING** This gas fire has been tested and approved according to CE standard EN-613. The inspection was carried out in combination with concentric flue pipe systems ( $\varnothing$  100-150 mm and  $\varnothing$  130-200 mm), rigid and/or flexible, either Kalfire or Stocker (T600 N1 W V2 L50040 O50). Only these flue pipe systems may be applied to the gas fire in order to continue to comply with the inspection provisions. If component parts or flue pipe systems made by other manufacturers are applied, the warranty and certification of the gas fire will lapse.

**WARNING** For the following models GP105/79F, GP110/75C, GP 115/75S, GP110/79T and GP115/75R, no flexible duct should be connected directly to the appliance. The first metre from the appliance should always be with a fixed pipe. After the first metre, the inner pipe (flue) may be run with a flexible pipe. The outer pipe (fresh air supply) must consist entirely of a fixed pipe or existing chimney. A concentric duct composed entirely of flexible pipe is not allowed.

**REMARK** Depending on the chosen flue pipe configuration and length, the temperature of the concentric flue duct will be between the 200°C and 350°C.

Two methods for configuring the chimney can be applied;

- You can configure a chimney according to the chimney calculation.  
See: [Chimney calculation on page 12](#).
- You choose configuration 1-6 belonging to the product.  
See: [flue duct configuration 1 through 6 on page 35](#).

#### 5.1.2 Connect roof pass-through of existing flue duct C91 (option)

The concentric flue duct emissions are removed by flexible or fixed piping. The air intake is accessed through the flue duct on the exterior of the flue liner or the flexible flue liner.

If an existing flue duct is used, the fitter needs to undertake a visual inspection beforehand. The flue duct should have a minimum temperature class of T400. The minimum dimensions of the existing flue duct must equal the diameter of the concentric material: either 100/150 mm or 130/200 mm. In addition, account needs to be taken of the chimney calculation. See [Chimney calculation on page 12](#).

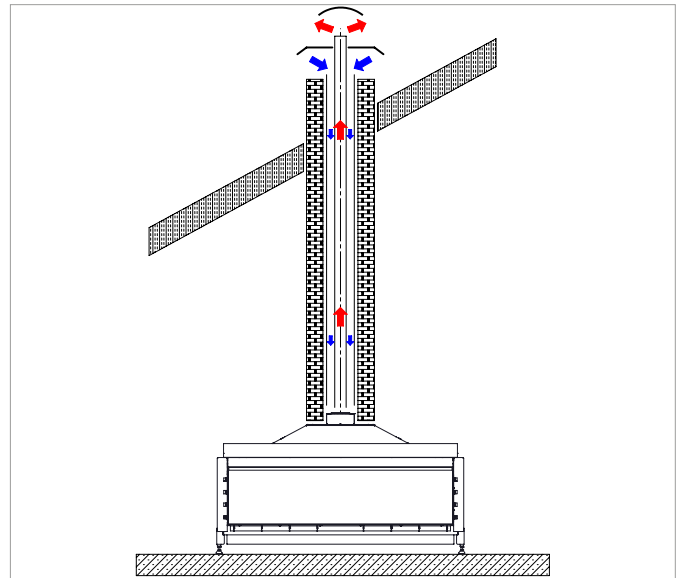


Figure 4: Roof pass-through

The following action must be taken in order to connect an existing flue duct:

1. At the top of the flue duct, use the ventilation plate with a draught-increasing convection hood.
2. Connect a flue liner or flexible flue liner to this, fitted through the existing duct. Ensure this is well sealed.
3. Lead the flue liner or flexible flue liner through the existing flue duct.
4. Mount the cover plate at the entrance to the flue duct.
5. Connect a flue liner or flexible flue liner to this, fitted through the existing duct. Ensure this is well sealed too.
6. Check the flue ducts for any leaks.

**CAREFUL!** Leaks can cause low pressure and prevent the closed system from functioning properly.

7. Seal any detected leakage.

## 5.2 Placing the gas fire

Place the rear wall taking the material into account.

See: [Installation Instructions on page 8](#). Then place the gas fire at the desired location. Mount the legs and finish the rear wall as indicated in the following paragraphs.

### 5.2.1 Fitting and mounting the gas fire

The gas fire is placed on four adjustable support legs. The support legs on the glass side of the gas fire need to be precisely sawn off before they can be mounted.

When the bolts are mounted against the rear wall, a space of a minimum of two cm is created between the rear side of the appliance and the rear wall.

**⚠ CAREFUL!** It is no longer possible to adjust the glass once the surround has been finished. Should the mounting of a modified glass as a result of the incorrect placement of the original glass be required, this will fall outside of the factory warranty.

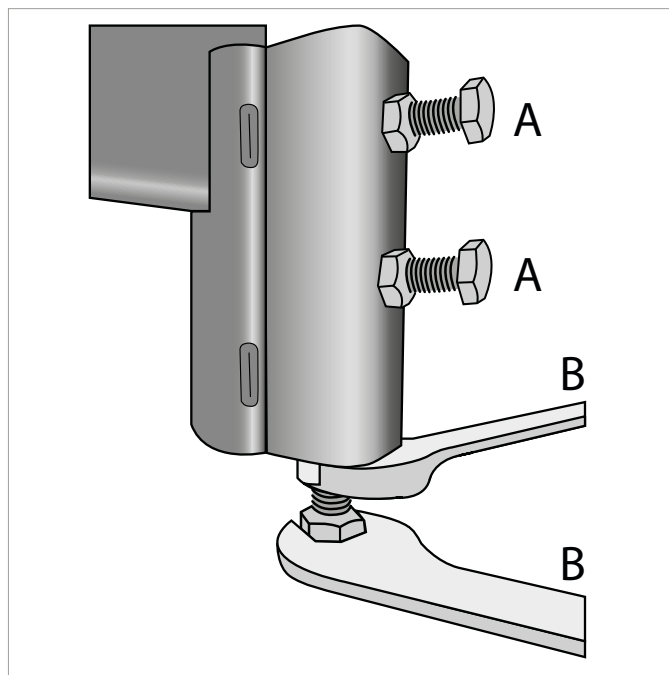


Figure 5: Setting support legs

Carry out the following steps to set and assemble the gas fire:

1. Place the front glass in the appliance.
2. Unscrew two bolts (A) from each support leg.
3. To ensure that the support legs are on the desired height, you might have to saw the top off the support legs.
4. If necessary, place the support legs in the designated holder.
5. Set the approximate height.
6. Screw the two bolts (A) back on.
7. Set the exact height of the gas fire by adjusting the tightness of the bolts on each leg (B). The range of adjustment is 3 cm.
8. Set the gas fire to spirit level by tightening or loosening the bolts on each support leg.

9. Adjust the wall clamp, leaving a minimum of 2 cm between the gas fire and the wall.
10. Secure the gas fire to the wall using the previously mounted clamps (optional).

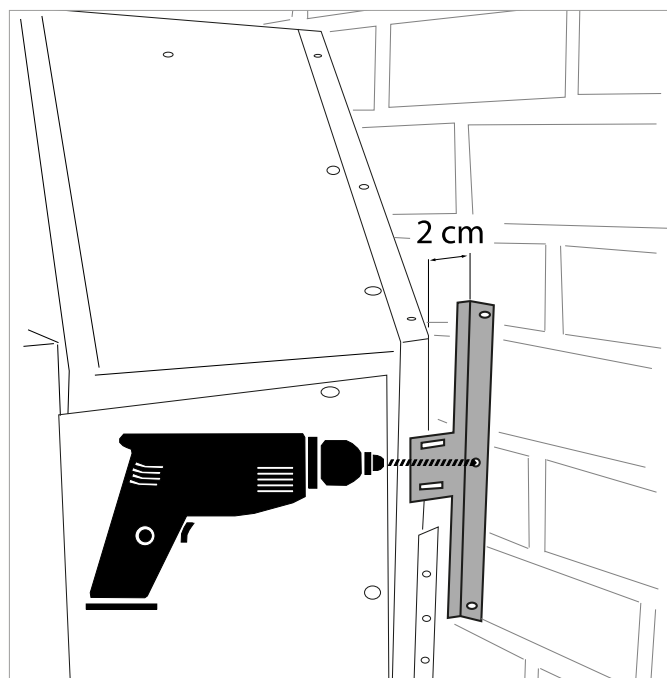


Figure 6: Mounting gas fire to wall (optional)

11. Check whether all four front glass corners align with the side glass. The twisting and turning that was necessary while setting and adjusting the gas fire, may have caused the front and the side glass to become misaligned.

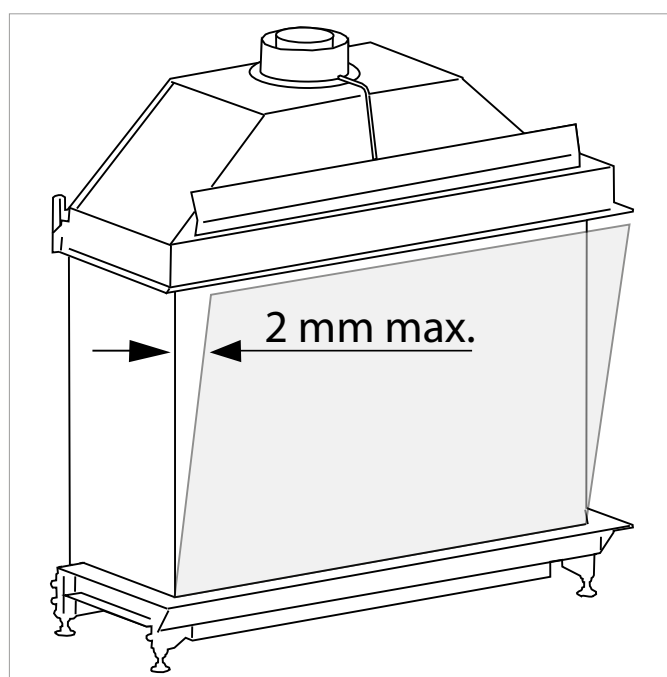


Figure 7: Check alignment front glass.

12. Set the gas fire accurately by adjusting the legs, so the glass properly aligns.

### 5.2.2 Adjusting the stone support

The gas fire is equipped with stone support, so tiles or other plateau-finishing materials can be supported to the side of the fireplace.

The stone support can be adjusted without using steps over a 30 mm distance. The stone support is equipped with an indicator for a stone thickness of 20 mm to 30 mm, as depicted. The stone support can also be removed as one.

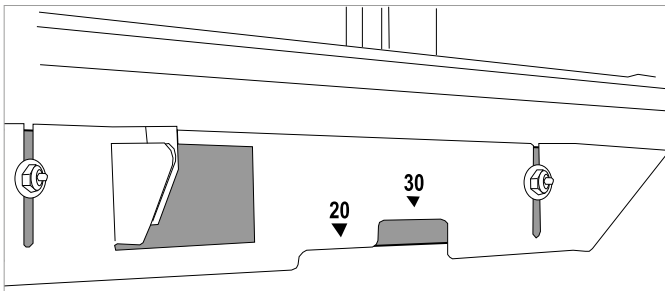


Figure 8: Stone thickness indicator

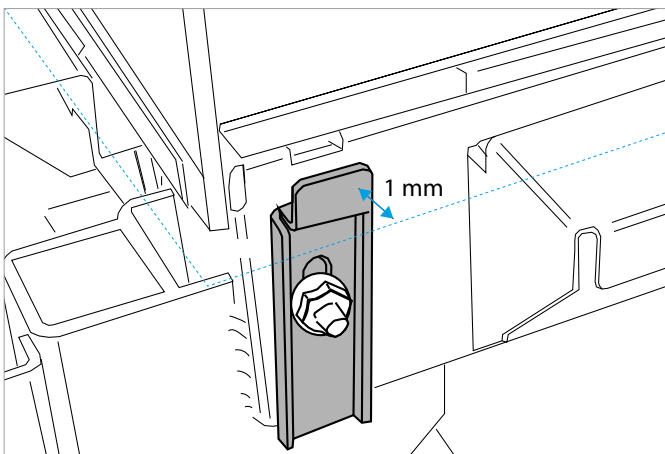


Figure 9: Glass support (corner and three-sided appliances only)

Carry out the following steps to adjust the stone support;

**⚠ CAREFUL!** While adjusting the stone support, the glass support to the left and right of the appliance cannot be removed.

1. Unscrew the nuts at the bottom end of the assembly strip.
2. Set the desired height.
3. Tighten the screws and place the stones.
4. Leave a minimum of 4 mm between the stone and the glass. See [Installation Instructions on page 8.](#)
5. At the front, leave a minimum of 1 mm of space between the glass support and the finishing. Prevent excessive tension on the glass caused by the glass support as a result of heat expansion.

### 5.2.3 Continuous rear wall finishing (option)

When opted for a continuous rear wall finishing, the following steps should be carried out:

1. Determine the side to which the rear wall is to be continued.
2. Remove the four nuts as depicted in the figure.

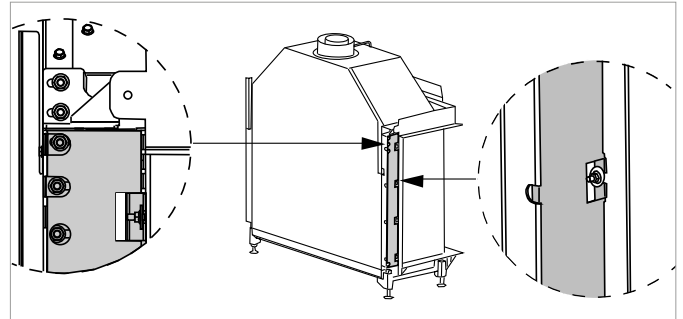


Figure 10: Removing the strip

3. Unscrew the upper and lower nuts.
4. Remove the steel vertical strip.
5. Place the panel (ceramic glass or design) that you wish to continue outside of the fireplace in the correct position.
6. Always leave 4 mm space between the panel and the glass frame, in order to keep it accessible for service requirements.

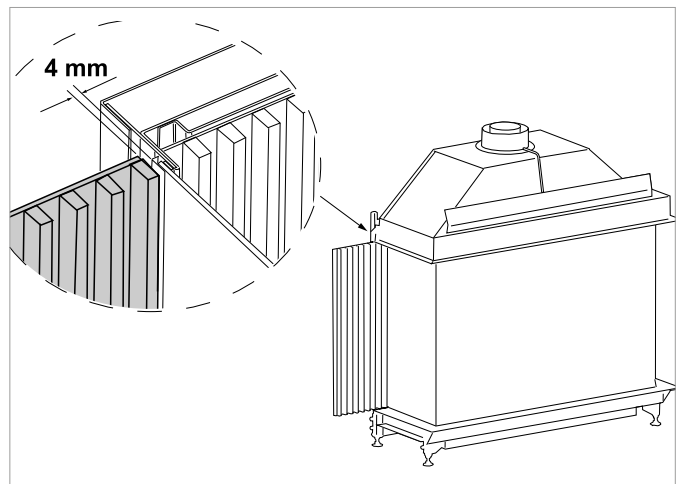


Figure 11: Space between panel and fireplace (4 mm)

### 5.2.4 Connecting the gas fire

This task describes how to connect the technical unit and the gas fire.

**⚠ CAREFUL!** Do not directly expose the technical unit to heat. See [Installation Instructions on page 8.](#)

**🔧 REMARK:** Use the wiring diagram when connecting. See [Wiring diagram on page 99.](#)

1. Connect the flexible gas hose to the side of the gas fire.
2. Check the connection for gas leakage.
3. Assemble the 24V power supply cable.
4. Connect the white plug to the ionisation cable.



5. Place the ionisation cable (covered by the black surround at the end).
6. Connect the ground wire to the back plate of the technical unit by tightening the nut.
7. Connect the ground wire to the automatic burner relay.
8. Place the automatic burner relay in the technical unit.

**⚠ CAREFUL!** After placement, the black reset button on the lower-front side of the automatic burner relay must always be accessible.

9. Mount the gas valve directly to the gas regulator in the technical unit.
10. Vent the gas regulator by using the pre-pressure measuring nipple.
11. Connect the gas fire to a power supply.
12. Check the remote control transmission strength.  
See: [Checking transmission strength on page 24.](#)

### 5.3 Cleaning and testing the gas fire

Clean the glass and test the gas fire before you finish the surround.

**⚠ CAREFUL!** Grease emanating from fingers or other materials can burn into the glass. These burnt-in spots are permanent and cannot be cleaned.

**⚠ CAREFUL!** When the newly-installed fireplace burns for the first time, the varnish can emit a smell. This smell will disappear naturally, once the varnish has completely hardened.

1. Clean the glass before first ignition.
  - a. For standard ceramic windows.  
See: [Cleaning the \(standard\) ceramic windows on page 28.](#)
  - b. For anti-reflective glass. See: [Cleaning instructions anti-reflective glass on page 28.](#)
2. Ignite the fireplace.  
During the first time, it can take a while for the fire to ignite and continue to burn. This is caused by air in the gas pipe. Potentially, you will get an 08A notification. See [Removing or resetting malfunctions on page 30.](#)

### 5.4 Gas measurement

Check the pre-pressure of the gas connection after installation. Carry out this measurement to verify whether the appliance is supplied with enough gas and the burner retains sufficient pressure.

The gas valve below is built into the technical unit. This gas valve is equipped with a pre-pressure measuring nipple and a burner pressure measure nipple. An arrow has been added to the rear side of the gas valve, that indicates the gas flow direction. An orifice that is gas and appliance specific is mounted in the connection of the measuring device.

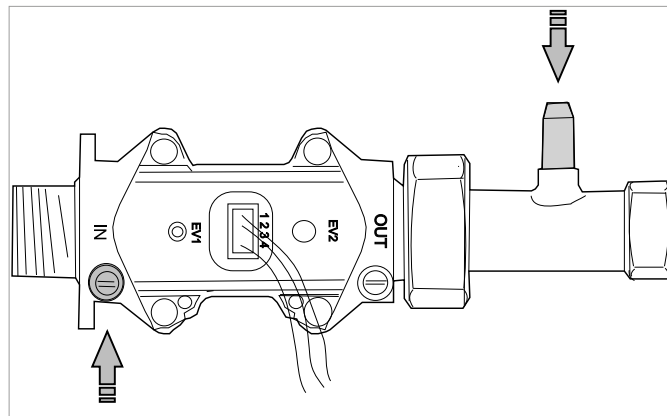


Figure 12: Gas measurement

**⚠ WARNING** The gas valve should never be mounted with the connector connection facing downwards. This will impede gas flow.

The type image indicates to which type of gas the appliance has been installed. The burner pressure must correspond with the value presented in the type image (see [Appendices A.7: Technical specifications by appliance](#)) and the pre-pressure cannot decrease below nation-wide statutory requirements during full use. Always measure both pressures when the appliance is in use.

If the burner pressure does not match, adjust the fireplace's TP settings using the remote control. To do this, follow the instructions in Appendix A.2.

### 5.5 Sustainability measurement

**⚠ ATTENTION!** sustainability measurement through sustainability measuring points. is not applicable in the Netherlands.

The sustainability measurement serves to confirm that the flue duct has been connected and the gas is sealed. We recommend to check the flue duct before finishing the surround.

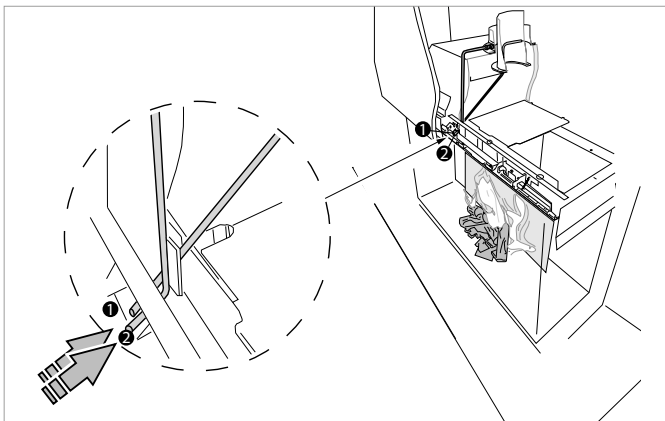
The oxygen (O<sub>2</sub>) and carbon monoxide (CO) values can be measured through the sustainability measuring points. The O<sub>2</sub> value describes the operation of the flue duct, the CO value indicates the quality of combustion. Potential irregularities in the operation of the appliance can be detected in this way. A silicon tube delivered along with the technical unit to connect the measuring equipment to the measuring points. The measuring process is as follows:

1. Open the design frame at the front above the door (applies to front models only).
2. Remove the rubber caps from the measuring nipples that are indicated with O<sub>2</sub> and CO.
3. Use the measuring equipment as indicated in the meter's user instructions.
4. Connect the measuring equipment to the CO measuring nipple to measure the CO value.
5. Start the measurement and verify the values;

lower than 1000ppm	Functioning properly.
higher than 1000ppm	Check the burner pressure, the configuration of the decorative elements and confirm the concentric flue duct system is not obstructed.

6. Connect the measuring equipment to the O<sub>2</sub> measuring nipple to measure the O<sub>2</sub> value.
7. Start the measurement and verify the value;

lower than 19%	Check the flue duct for leakage (especially at the connection points) and check whether the air outflow is obstructed.
higher than 19%	Functioning properly.



**Figure 13: Sustainability measurement**

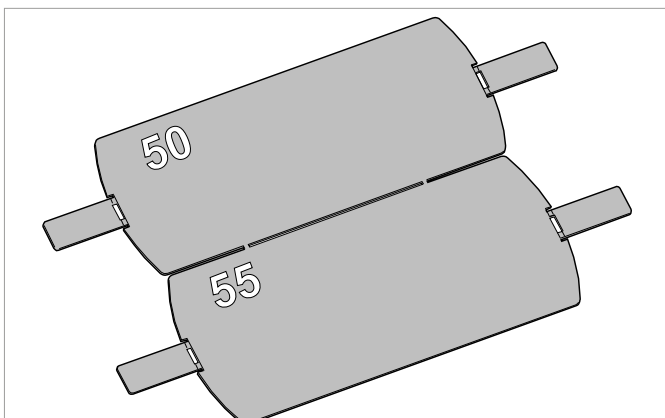
(1) CO

(2) O<sub>2</sub>

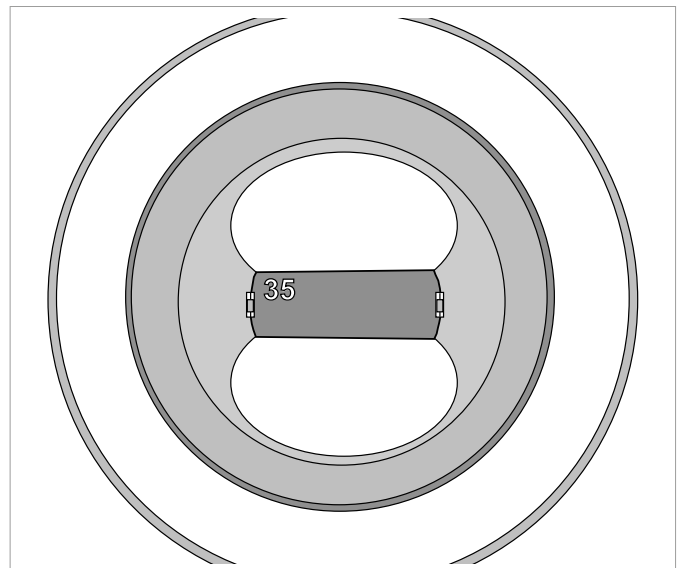
(room divider and tunnel have different connection locations)

## 5.6 Placing the restriction plates

The standard restriction plate delivered is sufficient if the choice has fallen on configuration 1 through 6 from the appendix. If the chimney calculation has been executed, then the code on the restriction plate must be in accordance with the code from the appendix for restriction plates. See: [Restriction plates \(G20, G25, G30 and G31\) on page 49](#). The restriction plate may be modestly adjusted, depending on the flame ambience.



**Figure 14: Restriction plates**



**Figure 15: Assembly in the pipe**

Carry out the following steps to verify and place the restriction plate:

1. Remove the door. See: [Door dismantling and assembly on page 29](#).
2. Verify if the code of the restriction plate is in accordance with the code from the appendix.
3. Bend both lips 90 degrees at the outer point of the restriction plate.
4. Transfer the restriction plate from the gas fire to the opening of the pipe.
5. Mount the restriction plate in the eyes of the inner wall of the pipe opening (see [Fig. 16](#)).
6. Next, bend the lips inwards.
7. Check if the appliance is not operating at the lowest flame intensity and that the flames are not too high in the highest intensity mode.

## 5.7 Placing and finishing the surround

Protection against high temperatures



**FIRE HAZARD!** The gas fire can be delivered with or without convection hood. In all cases it is important that there is sufficient ventilation.

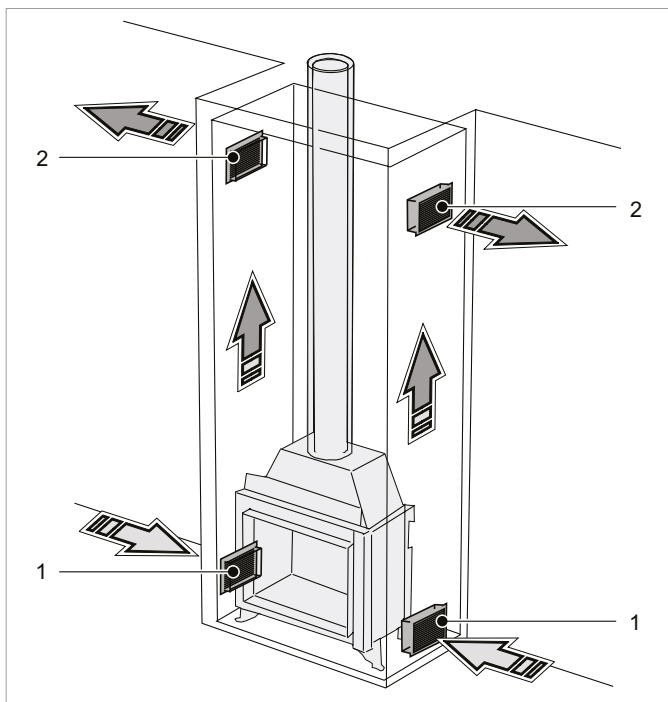
The temperature on the top of the appliance is very high. Under no circumstances may the surround be insulated. Always follow the installation instructions.

See: [Installation Instructions on page 8](#).

### Connecting without convection hood

Place the grids or other openings in the surround for the ventilation of a fireplace without convection hood. The grids or opening protect the surround against high temperatures. Ventilation grids must have a dimension of at least  $350\text{ cm}^2$  per side. Grids can be replaced by opening with an intake of at least  $350\text{ cm}^2$  and an outflow of at least  $350\text{ cm}^2$ .

 **TIP:** Deviating connections can be submitted to Kalfire for written approval.



**Figure 16:** Housing gas fire without convection casing


- (1) Air intake grid (two openings of at least  $175\text{ cm}^2$ )
- (2) Grid for exit of convection air (two openings of at least  $175\text{ cm}^2$ )

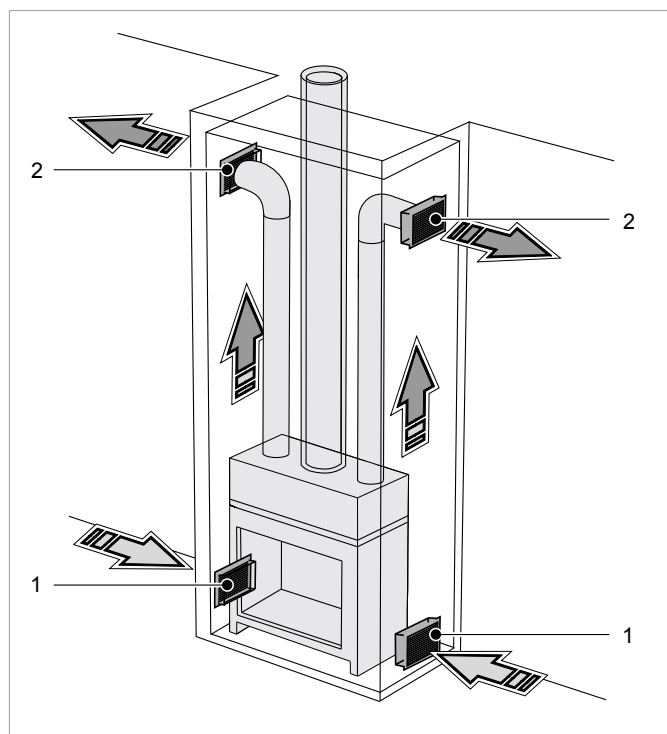
### Connecting with convection hood

The convection hood is mounted on the appliance in the factory and so cannot be installed afterwards.

The convection hood ensures a delivery of controlled heat in the room where the gas fire has been installed. This optimises the heat output of the appliance.

Mount two aluminium ducts of ( $\varnothing 150\text{ mm}$ ) to the convection hood and connect these to the ventilation openings or grids mounted on the convection hood. The total cross-section of the outlets must be a minimum of  $350\text{ cm}^2$ .

 **CAREFUL!** Sealing the fireplace is at your own risk, damage to the varnish caused by sealing falls outside of the factory warranty.



**Figure 17:** Housing of the fireplace with convection casing

- (1) Air intake grid (two openings of at least  $175\text{ cm}^2$ )
- (2) Grid for exit of convection air (two openings of at least  $175\text{ cm}^2$ )

### Installing the technical unit

Place the technical unit in an accessible place, preferably in the side wall of the surround. Take the choice of material into account. A steel casing or reinforcement can negatively influence the reception between the fireplace and remote control.

**⚠ CAREFUL!** The distance between the rear side of the technical unit and the gas fire must be at least 30 cm (without insulation).

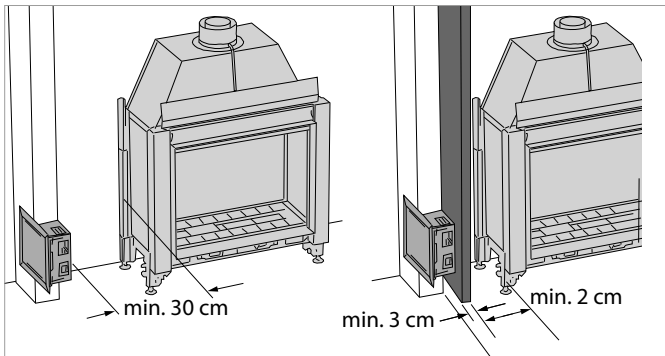


Figure 18: Minimum distance from the technical unit

If the technical unit is insulated with an air cavity of at least 2 cm (an air gap, for example) and three cm heat-resistant and insulating plate material, the technical unit may be placed closer. Exact dimensions of the technical unit can be found in [Appendix A.10](#).

### 5.8 Placing decorative elements

#### Placing decorative elements Kalfire G appliances

**⚠ WARNING** The decorative elements must be placed according to the instructions. It is prohibited to alter the number of decorative elements or the configuration thereof. Such alterations can lead to hazardous situations with regard to fire safety. Take the instructions into account: [Safety instructions for decorative elements on page 9](#).

#### White stones, cryptonite, grey stones

1. Place the stone set (cryptonite, white or grey) on the ceramic burner and the burner plate.
2. Make sure the ionisation pins are not covered.

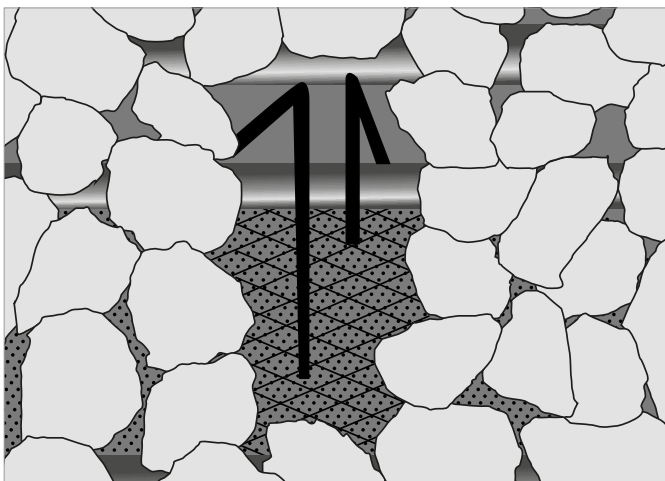


Figure 19: Uncovered ionisation pins with white stones

#### Standard and exclusive ceramic wood log set

1. Place the lava stones on the ceramic burner. Ensure the pebbles and gravel do not touch the burner and the ignition and/or ionisation pins. Cover the burner plate with chips.

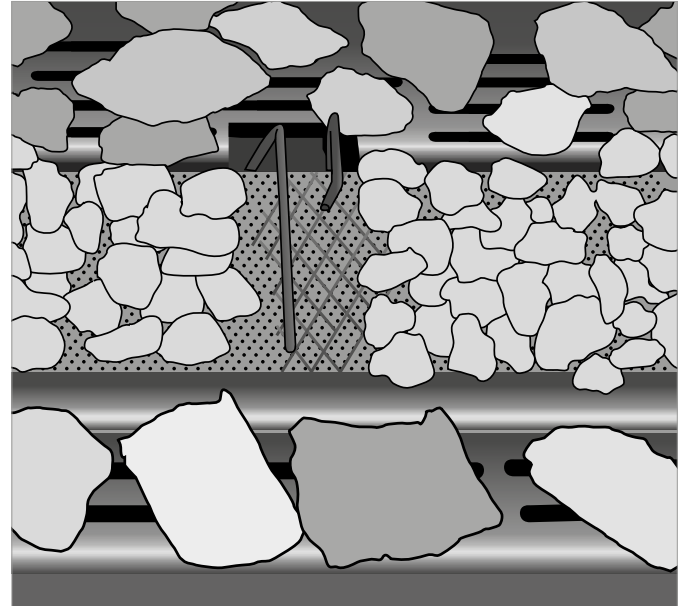


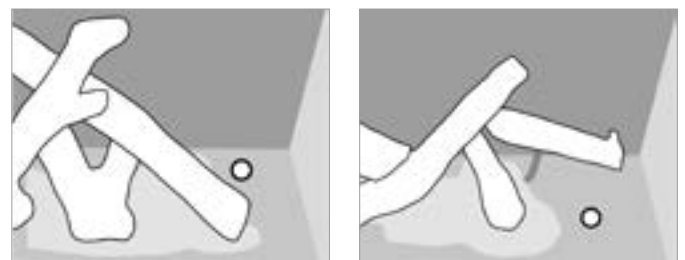
Figure 20: Uncovered ionisation pins with lava stones and chips

3. Place the wood log set according to the example in the appendices, see: [Configuration of the decorative elements on page 50-98](#).
4. Remove some wires from the Kalglow set delivered with the appliance and place these among the logs on the burner (lava pebbles). Ensure that the Kalglow is not on top of the ionisation and ignition pins. Kalglow gives an attractive glow effect, the quantity can be adjusted as desired.

#### Placing decorative elements Kalfire GP appliances

**⚠ WARNING** The decorative elements must be placed according to the instructions. It is prohibited to alter the number of decorative elements or the configuration thereof. Such alterations can lead to hazardous situations in terms of fire safety. Take the instructions into account: [Safety instructions for decorative elements on page 9](#).

5. Place the logs and then the wood log set according to the example in the appendices, see: [Configuration of the decorative elements on page 50-98](#).



Position of the NSG reservoir inlet (depending on the model)

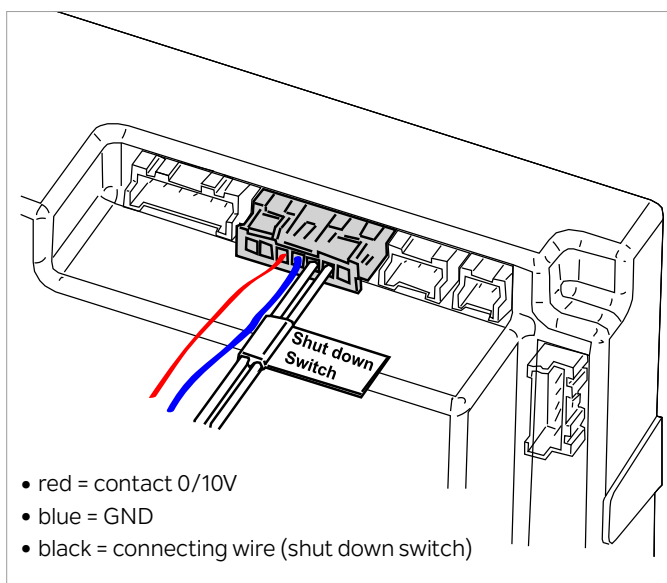
**WARNING** If the fireplace is equipped with the NSG option, leave the silicone cap on the inlet for filling the NSG reservoir. The reservoir is delivered full. Without the cap, the NSG will not function properly. However, be sure to remove the yellow warning label!

## 5.9 Operating with an external switch (option)

**CAREFUL!** The shutdown switch does not function in combination with the home automation connection.

### 5.9.1 Connecting home automation system (option)

Figure 21: SDS-DOMO combi-cable connected to HDIMS



1. Connect the red wire of the SDS-DOMO combi-cable to the output signal (D/C) of the home automation system.
2. Connect the blue wire to the GND terminal of the home automation system.
3. Use heat-shrink cable to insulate the connections and avoid short-circuits.
4. Connect the home automation cable to the automatic burner relay.
5. Adjust the home automation system to the following values:
  - > 1.5V Hybrid function.
  - > 3.0V Heat demand, the fire will ignite.
  - 3.0 - 9.0V flame intensity is adjusted by modulation: low or high.
  - 9.5V ECO mode.
  - 0 V Fire switched off.

**WARNING** The current at the HDIMS control panel KA-02 at the 0-10V input should be at least 2mA.

The remote control and the home automation system cannot be used at the same time. The remote control can only be used if there is no current supplied to either of the two contacts. In the event of an error message, the system should always be reset using the remote control! **For this reason, the remote control must always be located near the receiver.**

### 5.9.2 SDS-DOMO combi-cable for external switch (option)

The shutdown switch ensures that the power is turned off while the burner control (HDIMS) continues to be fed a constant power supply (in a hotel or an exhibition space, for example). The shutoff switch must be connected to the SDS-DOMO combi-cable.

When the switch is shut off the flamed will be extinguished, the electronics of the appliance will remain active and the remote control will display the notification 04F. The flame stays in a blocked position so long as the switch is inactive. When the switch is operated, it will open and the flame will be ignited. Connect the two black wires of the SDS-DOMO combi-cable to the switch.

Use heat-shrink cable to avoid short-circuits. See: [Wiring diagram on page 99](#).

#### Example:

In the electrical diagram below, the SDS-DOMO combi-cable is connected to a keycard to open a hotel room. In the example, the gas fire is operated simultaneously.

1. Starting position > F04 error message.
2. The gas fire cannot be turned on.
3. When the keycard is inserted, the gas fire relay is turned on.
4. The relay opens the contact of the shutdown switch in the gas fire.
5. The F04 error message disappears after approximately one minute.
6. The gas fire is unblocked.
7. The gas fire can be switched on.
8. The gas fire operates.
9. If the keycard is removed, then the power to the relay of the gas fire is turned off.
10. The relay closes the contact of the shutdown switch in the gas fire.
11. The gas fire switches off automatically (stand-by).
12. After approximately one minute, the remote control returns to the starting position.

#### **If the keycard is reinserted within one minute:**

13. The relay opens the contact of the shutdown switch.
14. The gas fire is unblocked and automatically switches on.

### 5.10 Connector for external devices (option)

It is possible that external devices can be connected to the gas fire that switch on or off at the same time as the fireplace is switched on or off. External devices can be connected on the "open enable" or "aux enable" burner control with a connector that can be ordered from Kalfire.

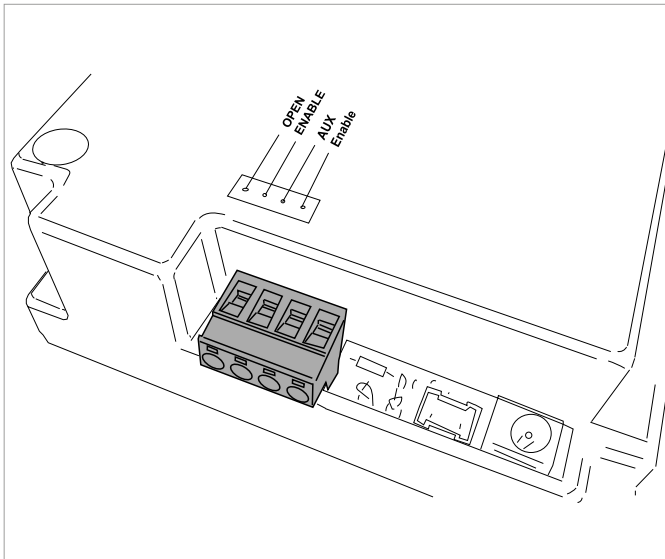


Figure 22: Connector for external devices

**Examples of AUX devices and OPEN contacts are:**

'AUX' devices (AUX enable):

- fan to improve convection air outflow.
- safety valve control in gas supply
- illumination of indicator lights.
- powered up electrical devices (for example: indirect lighting).

'OPEN' contacts (Open enable):

- switched off / deactivated electrical devices (e.g. lighting, heating etc.).

**Schematic overview:**

Connection	Fire switched on	Fire switched off	MAX
Open enable	Open contact	Closed contact	250 VAC / 5A
AUX enable	Closed contact	Open contact	250 VAC / 5A

**5.11 Connecting the iMatch interface (option)**

The iMatch interface consists of three components.

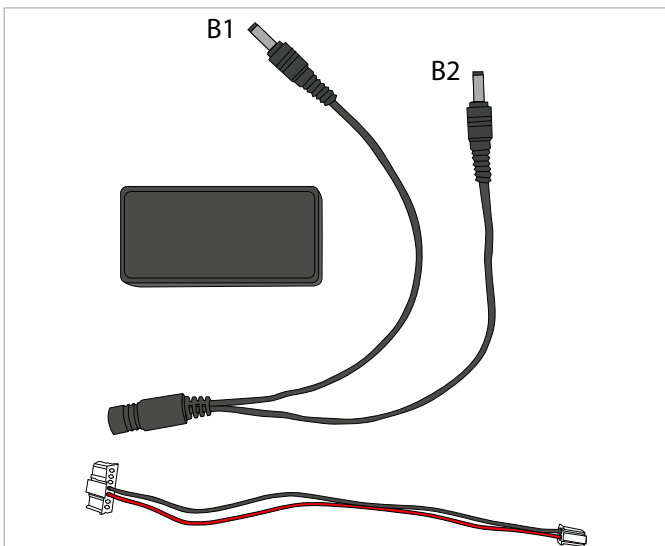


Figure 23: iMatch interface

Connect the cables as indicated in the visual.

1. Install the iMatch interface in the technical unit.
2. Connect cable A to the burner control (HDIMS) and the iMatch interface. See: [the wiring diagram on page 99.](#)
3. Disconnect the adaptor cable (24 V) from the automatic burner relay (HDIMS) and connect it to cable B.
4. Connect cable B1 to the automatic burner relay (HDIMS).
5. Connect cable B2 to the iMatch interface.
6. Check if the red LED indicator lights up on the iMatch interface and if the lamp on the HDIMS is flashing. For installation and operation of the iMatch App. See: [page 26.](#)

## 6. Operation

The upcoming sections provide information about the use of the gas fire:

- Replacing the batteries
- Using the iMatch remote control
- Setting the day and time
- Confirming the transmission strength
- Switching the gas fire on and off
- Adjusting the flame intensity
- Selecting the thermostat or manual operating programme
- Regulate the flame intensity by thermostat
- Programming time segments
- Programme choice for the hybrid LED lighting
- Activate/deactivate the

### 6.1 Replacing the batteries

Insert or replace the remote control AA batteries.

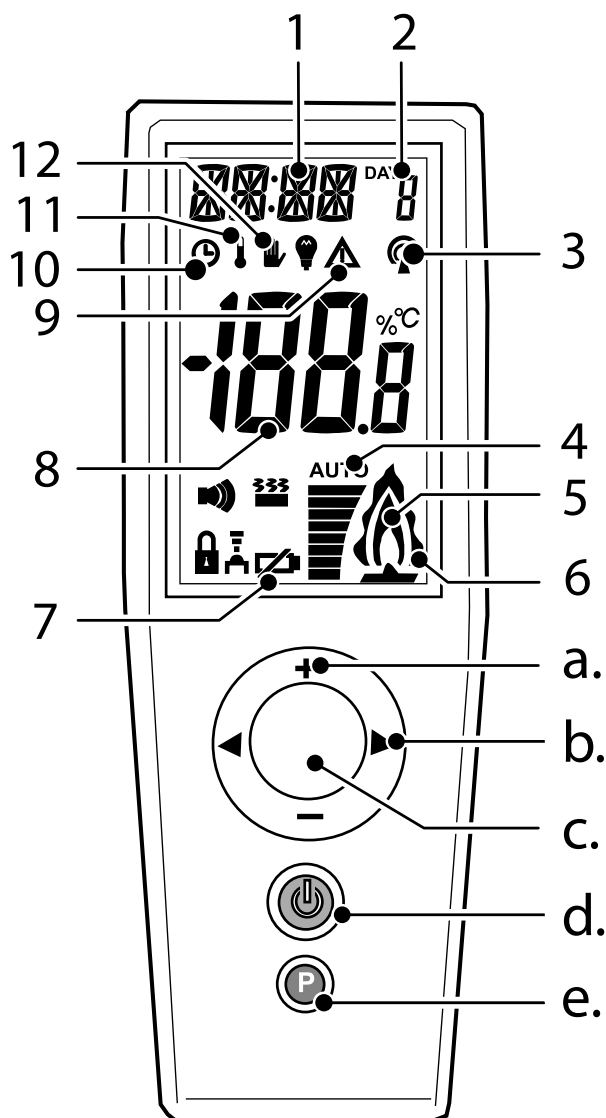



Figure 24: Remote control

A battery compartment is located at the rear of the remote control. This can hold two AA batteries. If the batteries are almost flat, the battery icon becomes visible or all symbols on the display start to flash. Follow the steps below to replace the batteries:

1. Slide the compartment cover down.
2. Remove the batteries (if in place).
3. Place the two batteries on the compartment floor as indicated.
4. Close the compartment cover.
5. Press the  centre button and the display will light up.

### 6.2 Using the iMatch remote control





#### Range of the RF signal

The iMatch remote control uses a radio-frequency (RF) signal to transfer information to the gas fire. The RF signal is a safe signal for wireless communication. The signal has a range of approximately 10 metres as long as there are no obstacles between the remote control and the gas fire. Obstacles such as walls and/or furniture can negatively impact range. In some cases, it can happen that the gas fire takes longer to react. If the screen of the remote control illuminates after a button is pressed, this indicates that the RF signal has been sent.

#### Key of symbols:

1. Indicates the time and status when switching the appliance on or off:
  - OK - the fireplace is switched on.
  - WARM - the ignition programme has been activated.
  - WAIT - the ignition programme is starting up.
2. Day of the week in numbers (1-7, Monday is 1).
3. RF-signal, a flashing icon indicating that the appliance is beyond the reach of the remote control.
4. Flame intensity indicator (hybrid fire).
5. The flame is ignited if the icon is alight, if this icon is flashing one of the following notifications requires your attention: heat adequacy, ignition attempt or reignition attempt.
6. The ECO mode is activated. 7. Batteries are flat.
8. Room temperature and other notifications such as disruptions.
9. Warning signals related to disruptions.
10. Time segments
11. Thermostat mode.
12. Manual programme (default mode).



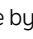
#### Buttons:

- a. + and - buttons
- b. Left button  and right 
- c. Centre button 
- d. On/off button 
- e. Parameter configuration button **P**

### 6.3 Setting day and time


#### Setting day and time.

Carry out the following steps to change the day and time settings:

1. Hold down the **P** button until the time display starts flashing.
2. Change the hour with the + or - button and confirm the change by  pressing the centre button.  
The minutes will then begin to flash.
3. Change the minutes with the + or - button and confirm the change by  pressing the centre button.  
The number indicating the day of the week will then begin to flash (1 = Monday).
4. Change the day with the + or - button and confirm the change by pressing the centre button .
5. To exit the parameters menu, press **P**.
6. Wait for 30 seconds while the information is transmitted.


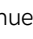

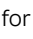
### 6.4 Checking transmission strength

Carry out the following steps in order to modulate transmission strength between gas fire and the remote control.

1. Press **P** until the transmission strength flashes at the top left of the display.
2. Press the right button until RFCK appears in the display.
3. Walk around the appliance at a distance of 3 to 4 metres to measure the RFCK. If the RFCK shows a value of 4, the transmission strength of the remote control is good. If the value shows as 2 or 3, the RFCK values are acceptable.  
Transmission strength is insufficient at a RFCK value of 1.
4. Confirm with  to exit the menu.


### 6.5 Switching the appliance on and off

Carry out the following steps to turn the appliance on or off:

1. Press  until the >OK< icon in the display appears and starts to flash.
2. Continue to press  and then press briefly on  to activate the ignition programme.
3. Release both buttons.  
The word >WARM< will flash at the top left of the display as confirmation of activation.
4. Wait a number of seconds until you hear a beep and the word >WAIT< appears.  
The ignition programme will start and the burner will automatically ignite after approximately 20 seconds.
5. Wait until you hear a second beep.  
The word >WAIT< will stop flashing after the ignition programme.
6. The gas fire flame is alight and operational.
7. Press for approximately two seconds  to extinguish the gas fire flame.

### 6.6 Setting the flame intensity

The height of the flames can be adjusted from high to low and is indicated on the display by numbers 1 through 8. The flame intensity can also be displayed by the flame intensity indicator. The ECO mode has a modulating effect on flame intensity (higher or lower). This accentuates the visual effect and user comfort




of the flames, while reducing the fire's heat emission and gas consumption by approximately 40%. Use the remote control to set the flame intensity in "ECO mode" to 9, after which the double flame icon  will display on the screen.

Adjust the flame intensity as follows:

1. Press + or - to adjust flame intensity.
2. Release the + or - button.
3. Press the + button until the number 9 appears to switch on the ECO mode.

### 6.7 Selecting the thermostat or manual operating programme

The flame intensity and the resulting room temperature can be adjusted by setting the remote control in manual or thermostat mode. To ensure an accurate temperature reading, make sure the remote control is outside of the fire's radiation range. For security reasons, the thermostat mode will be automatically switched off after 24 hours. If the flames in the gas fire have been switched off, the programme will restart in manual mode automatically when next switched on.

1. By pressing **P** until the icon for thermostat  or manual mode  begin to flash.
2. Press **P** again to select the icon of your choice.
3. Briefly press  to exit the menu.

### 6.8 Setting the flame intensity by thermostat

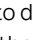
The remote control measures the temperature and the flame intensity is modulated accordingly. To ensure an accurate temperature reading, make sure the remote control is outside of the fire's radiation range.

1. Select the thermostat programme as indicated in paragraph [Selecting the thermostat or manual operating programme on page 24](#).
2. Press the button with the + or with the - so that the temperature indicator on the display starts to flash.
3. Set the desired temperature with the + and - buttons.
4. Wait for 10 seconds before using the remote control to save the set temperature.



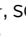




### 6.9 Programming time segments

The thermostat function can be combined with a timer programme that allows for up to three time segments to be programmed. These are indicated by switch-on times ON 1, 2, 3 and switch-off times OFF 1, 2, 3.

The set programme will run daily.

1. Check if the hand transmitter is set at the right time (if you are not happy with the time, see: [6.3 Day and night settings](#)).
2. Press the **P** button (hold down briefly).
3. Let go of Button **P** when the time starts to flash in the top left-hand corner of the display.
4. Press the right button  to display "TCOM" (temperature comfort). TCOM indicates the maximum temperature during all set time segments.
5. Set the desired temperature with the + or - buttons at increments of 0.5°C.



6. Confirm by pressing the  (centre button).
7. "TECO" (temperature ECO) will now appear in the display. TECO is the minimum temperature between the time segments. This minimum temperature will be maintained all day with the exception of the set time segments.
8. Set the desired temperature with the + or - buttons at increments of 0.5°C.
9. Confirm by pressing the  (centre button).
10. Press the right button , so that a flashing time in hours and minutes appears in the top left-hand corner, while "ON 1" appears in the middle of the display (this is the first "on" time).
11. Use the + and - buttons to set the first "on" time at increments of 15 minutes.
12. Confirm by pressing the centre button  if you are happy with the time.
13. "OFF 1" will then appear (this is the first "Out" time).
14. Use the + and - buttons to set the first "out" time, at increments of 15 minutes.
15. Confirm by pressing the  button.
16. Programme the other times in the three segments in this way; should you not require all time segments, these other segments should be set at identical switch-on times.
17. Press **P** to exit the programme.
18. The  and  icons on the remote control indicate that the time segments have been programmed.



### 6.10 Programme choice for the hybrid LED lighting

If the gas fire is equipped with a hybrid LED lighting function, it is possible to vary the lighting effects. The different parameters controlling the LED lighting allow the oscillation, intensity and colour to be set. In every programme, selection of the word "AUTO" provides the highest and clearest lighting intensity.

**Table: LED programme**




Programme	Reacts to	Light clear variation
P1	Setting AUTO and Modulating between high and low	10% to 90%, fading reddish LED colour.
P2	Setting AUTO and Modulating between high and low	10% to 90%, yellowish and reddish LED colour, alternately on the left and right-hand sides of the appliance.
P3	Setting AUTO and Modulating between high and low	Combination between Programme P1 en P2

Carry out the following steps to adjust the LED lighting programme:

1. Press the right button  until a "P1, P2 or P3" appears in the middle of the display.
2. Press  a number of times until the desired "P" programme is displayed.
3. Wait until the home screen appears.

### 6.11 Activating/deactivating the hybrid LED lighting and adjusting the lighting intensity



If the gas fire is equipped with hybrid LED lighting, it will be automatically activated as soon as the fire is turned on. The number of horizontal bars at the bottom of the screen indicate the level of brightness of the LED lights. LED lighting can also be activated when the fire is not on. Carry out the following steps to activate only the LED lighting:

1. Press  to turn on the screen.
2. Press the right button until "P1, P2 or P3" appears in the centre of the screen.
3. Press  to activate the LED lighting or increase its intensity.
4. Press  to deactivate the LED lighting or decrease its intensity.

### 6.12 Setting the Natural Spark Generator

If the gas fire is equipped with a Natural Spark Generator, lifelike sparks will be produced when it is alight. The higher the flames, the more sparks there are.

The gas fire must be alight for some time before the Natural Spark Generator can produce sparks. This is why the appliance only activates the Natural Spark Generator after it has been operating for 10 minutes. The user can set a time interval with the remote control. The last Natural Spark Generator programme selected is saved when the gas fire is turned off. Carry out the following steps to set the time interval:

1. Press the button  to access the Natural Spark Generator programme.
2. At the top of the screen, the word "SP0" (or another previously-set value) will appear in the display.
3. Press the + or - buttons to change the Natural Spark Generator programme. (SP0 t/m SP8).
4. Briefly press  to exit the menu.

#### Settings:

SP0 = Natural Spark Generator is switched off; no sparks

SP1 = 1 spray of sparks per hour.

SP2 = 2 sprays of sparks per hour.

SP3 = 3 sprays of sparks per hour.

SP4 = 4 sprays of sparks per hour.

SP5 = 5 sprays of sparks per hour.

SP6 = 6 sprays of sparks per hour.

SP7 = 10 sprays of sparks per hour.

SP8 = random sprays of sparks, one per minute

### 6.13 Fill the National Spark Generator

The Natural Spark Generator system contains a cartridge of powder (Natural Spark Powder) on delivery. Use the instruction delivered with the new powder for refilling the Natural Spark Generator.

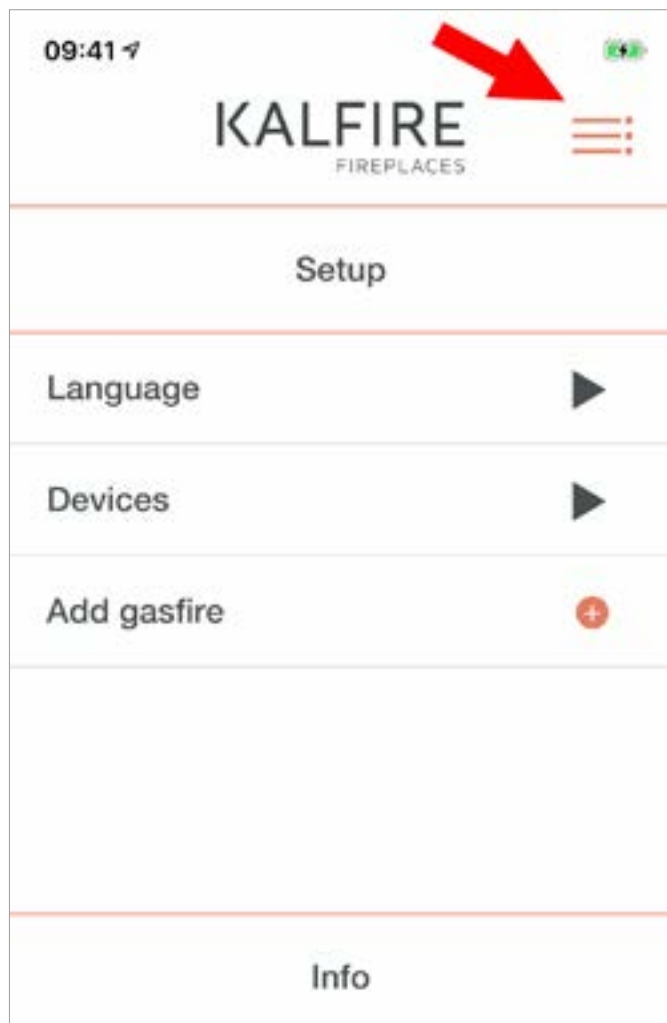
### 6.14 Installing the iMatch App

1. Download the iMatch app from the App store (Apple) or Play store (Android).
2. Installing the iMatch App on your smartphone or tablet.
3. Turn on the Bluetooth on your mobile device.
4. Open the iMatch App.
5. Choose the desired language.
6. Click on "Next".
7. Follow the instructions on the screen.

### 6.15 iMatch App settings

You can change a number of settings in the iMatch App settings menu:

1. Language : Click on language and select the desired language. You will automatically return to the settings screen.
2. Appliances: Click on Appliances. You will now see an overview of already connected appliances and you have the possibility to add another fireplace. Change the name of the room(s) present. Select the room you want to change. In the screen that appears next you are able to change the name.
3. Adding gas fire: Select "Add gas fire" and follow the instruction for adding a new gas fire.



### 6.16 How to use the iMatch App

The gas fire can be controlled with the iMatch App, if the iMatch interface is connected to your local Wi-Fi network. First, install the iMatch App on your smartphone or tablet.

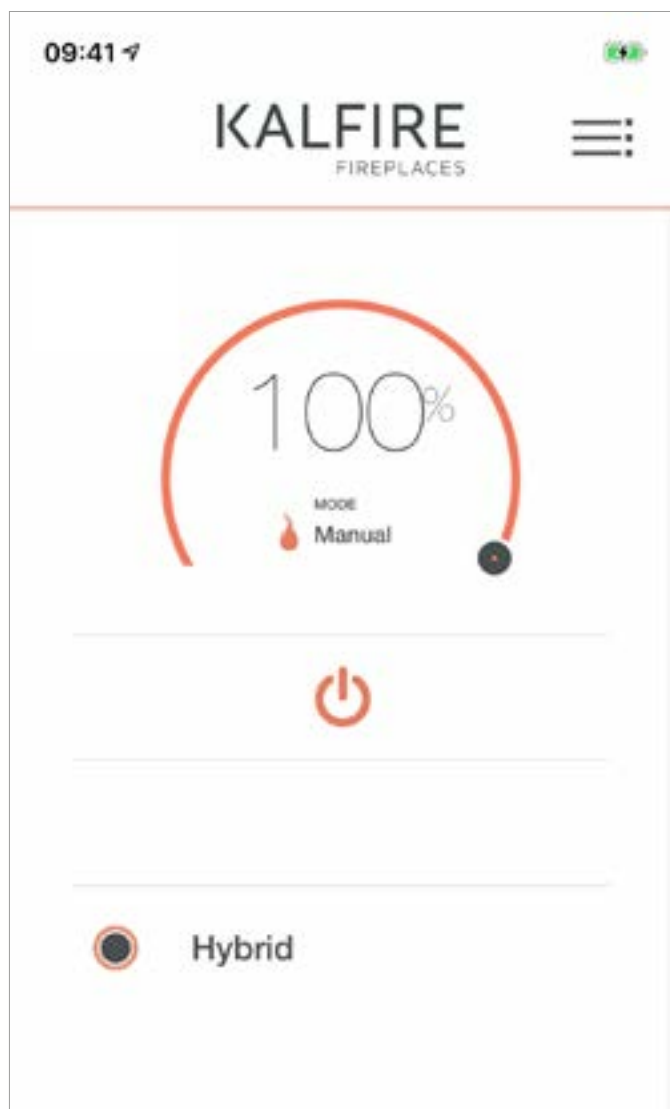
#### Accessing home screen

1. Open the iMatch App.
2. Drag the standby icon to the right.

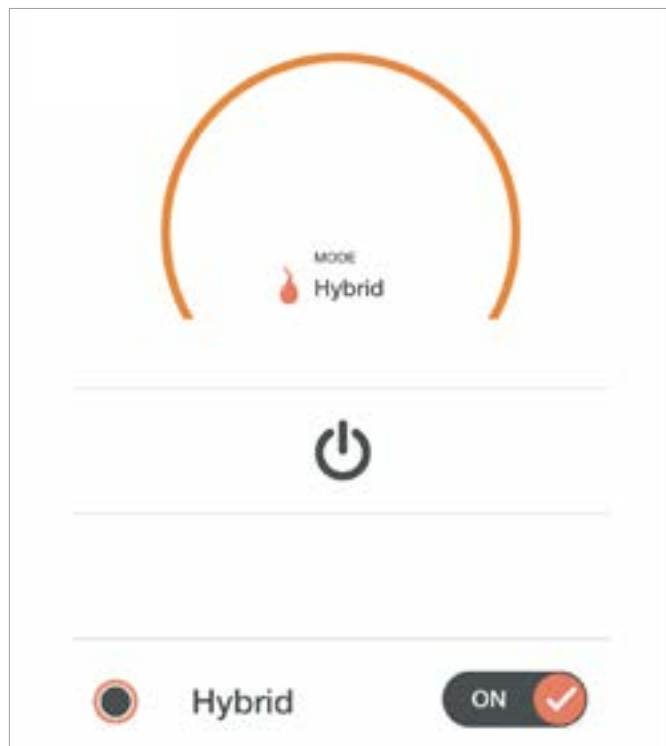


### Overview home screen

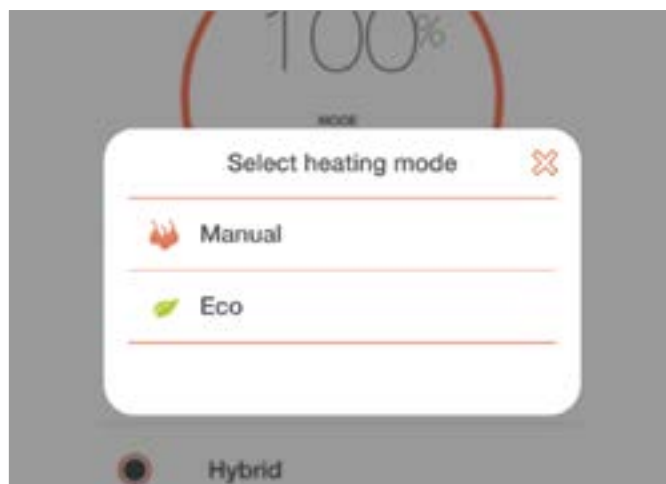
- **Igniting flame:** Press the standby icon. A half circle appears and the gas fire is ignited. The flame intensity is 100%.
- **Adjusting the flame intensity:** Press and hold down the black dot. Move your finger over the circle to set the flame intensity. The percentage will increase and decrease with the movement of your finger.



- **Hybrid LED lighting:** Press “off” to turn on the LED lighting. The LED lighting turns on and a semi-circle with the text Hybrid appears on the screen. The LED lighting intensity is not adjustable.



- **Heating mode:** Tap “Manual” once in the middle of the circle. Now select the heating mode Eco or Manual. In case you choose Eco mode, the fireplace is not controllable from the app. The fireplace varies from mode 1 to 8 automatically.



- **Shutting down:** The gas fire will shut down by pressing the standby button again.

**⚠ CAREFUL!** The NSG cannot be operated by the iMatch.

## 7. Maintenance

The following sections provide information about the maintenance of the fireplace.

- Maintenance
- Malfunctions
- Malfunction of the Natural Spark Generator

### 7.1 Maintenance

#### Maintenance frequency

The gas fire should be inspected for optimal, sustainable and safe use annually. Malfunctions to the gas fire must be fixed instantly. Inform your client about the possibilities of a maintenance contract.

#### Before and after the heating season

As time passes, tarnish can form on the inside of the glass. This can be removed by using a moist cloth or non-scratching cleaning detergent (ceramic glass cleaner). Do not use corrosive or abrasive substances for cleaning the fireplace. Damage to enamel is not included in the warranty. Small damaged can be removed by using heat-resistant enamel. This enamel is available at Kalfire.

#### 7.1.1 Cleaning the (standard) ceramic windows.



**WARNING** Different cleaning instructions apply for anti-reflective glass.

The gas fire glass can become dirty when the fireplace is burning, but also when being taken into use. Potential causes can be: Smoking materials in the fireplace (especially in the beginning), air contamination, quality of the type of gas etc.

#### Conditions:

- Filth and stains on the glass must be removed immediately.
- Never turn on the fireplace when it has filth or stains on the glass. This can lead to permanent and non-removable contamination.
- Clean the glass after the first use of the fireplace and clean the glass regularly in the initial period.
- Use scratch-free cleaning substances only.

#### 7.1.2 Cleaning instructions anti-reflective glass

The gas fire glass can become dirty when the fireplace is burning, but also when being taken into use. Potential causes can be: Smoking materials in the fireplace (especially in the beginning), air contamination, quality of the type of gas etc.

Anti-reflective glass is polished ceramic glass to which a number of metal oxide coatings have been applied that reduce the reflection to less than 1%. To prevent damage to these coatings, it is important that you carefully comply with the following cleaning instructions. A blue/purple discolouration can become visible on the anti-reflective glass, as a result of using the gas fire.

#### Conditions:

- Filth or stains on the glass must be removed immediately.
- Never turn on the fireplace if the glass is filthy or stained. This can lead to permanent and non-removable contamination.
- Clean the glass after the first use of the fireplace and clean the glass regularly in the initial period.
- Wear (rubber) gloves when cleaning the glass; fingerprints are particularly noticeable on anti-reflective glass.
- Use water and a soft cotton cloth, chamois leather or a microfibre cloth.
- Use neutral glass detergent only: water solution with neutral or light alkaline detergent without additives or abrasive substances. The acceptable share of ammonia and solvents that are organically soluble in water must be smaller than 5%.
- Carefully clean the glass: use sufficient moisture, avoid pressure and rub the substance from top to bottom, to prevent cleaning detergent to remain on the glass.
- Continuously dry the glass completely using the cloth.
- When using a vacuum lifter to remove the door, the suction cup rubber must be clean in order to prevent damage to the coating.

The table below lists the types of products **never** to be used when cleaning the anti-reflective glass:

Never use the products below!:	The glass coating can be damaged by:
toilet cleaners	alkaline detergents or detergents with high levels of ammonia
hydrochloric acid	acids
bleach domestos	chlorine or sodium hypochlorite detergents
benzene, hexane or petroleum-based solvents	solvents
scouring powders, abrasive materials, steel wool, scrubbing or scouring pads, scrapers, razor blades, paper, ceramic stove cleaners	Aggressive cleaning materials

### 7.1.3 Door dismantling and assembly (corner and three-sided appliances)

#### Door removal



**WARNING** Wear (rubber) gloves to prevent stains on the glass.

**Step 1:** To unlock the door, pull the handles under the hood towards you and up.

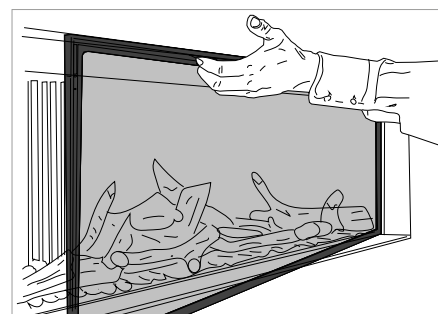
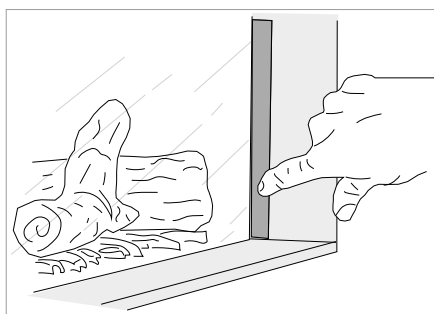
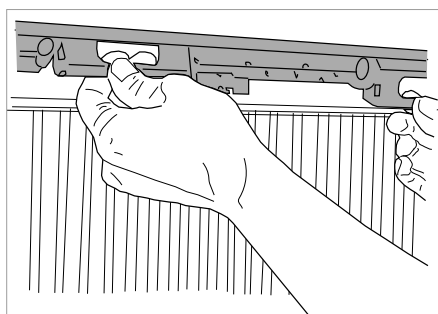
**Step 2:** Push the metal cover strip in left or right.

**Step 3:** Next, grip the door by the designated handles. Slightly

lift the door with glass window out of the rabbet, move the entire door slightly to the left or right (corner fireplace) and carefully lift it entirely out of the fireplace. In a three-sided appliance the door will fall forward slightly and you will be able to lift it straight out of the rabbet.

#### Putting the door back in place

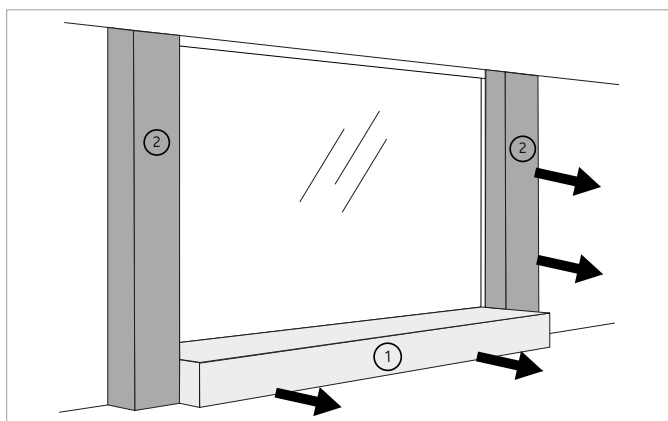
To put the door back in place, follow the steps described in step 3 in reverse order. Lock the door by moving the handles down. Twist the metal cover strips (step 1) back into its original position by using the protruding lip at the upper side of the strip.



### 7.1.4 Assembly and disassembly of the hearth extension and surround (Kalfire GP75/59F)

If the fire has a decorative fireback (red brick / Flemish thin brick) with a decorative hearth extension and surround (jambs on either side of the glass screen), first remove the hearth extension, and then one of the vertical jambs. You will only be able to remove the glass after following these two steps.

#### Disassembly of the hearth extension and surround



**CAREFUL!** The hearth extension and surround are ceramic. Handle them with care as they are very fragile.

**Step 1:** Slide the hearth extension (1) carefully outwards and place it to the side.

**Step 2:** Slide one of the jambs (2) outwards until it is completely detached from the fire. Place this to the side. You should now have the necessary space to remove the glass (see § 7.1.5).

#### Reassemble the hearth extension and surround

Follow the instructions above in reverse order to reassemble the glass, jamb and hearth

## 7.1.5 Door dismantling and assembly (front and tunnel fireplaces)

### Door removal



**WARNING** Wear (rubber) gloves to prevent stains on the glass.

**Step 1:** Move the metal cover strips up from the upper side.

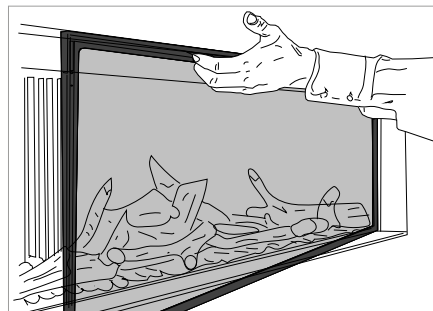
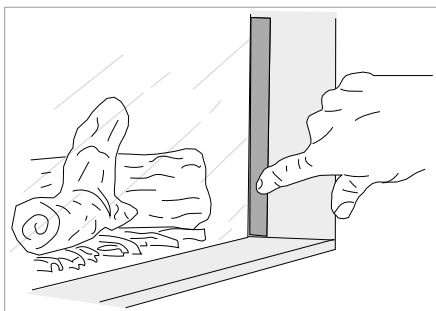
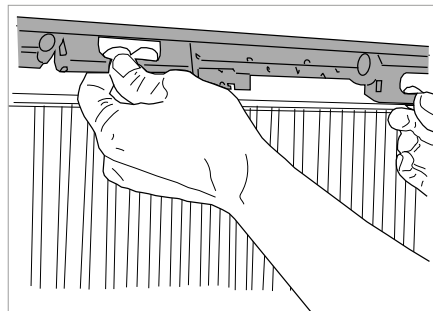
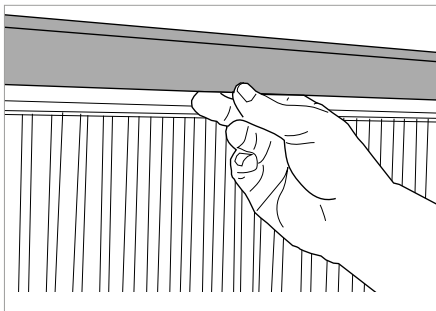
**Step 2:** To unlock the door, pull the handles that are placed under the hood towards you and up.

**Step 3:** Push the metal cover strip in left and right.

**Step 4:** Next, grip the door by the designated handles. Slightly lift the door with glass window out of the rabbet and carefully remove it from the fireplace.



### Putting the door back in place

To put the door back in place, follow the steps described in step 4 in reverse order. Lock the door by moving the handles down. Twist the metal cover strips (step 3) back in its original position, by using the overlapping edge on the upper side of the strip and fold the metal cover strip down.



## 7.2 Malfunctions



Malfunctions can be organised in five categories:

1. Permanent malfunctions (indicated as >F<). This failure cannot be fixed automatically, the gas fire is blocked for 24 hours (except for the error code 02F).
2. Recovering malfunctions (indicated as >ALARM< or >A<). Malfunction that can recover automatically, if the cause has been detected and fixed.
3. Communication malfunctions (indicated as >E<). Failures in the communication connection between the fireplace and the remote control - these failures can be fixed automatically when the remote control is placed closer to the technical unit of the fireplace. Press 1x .
4. Signal malfunctions (indicated as >NOLK 0 or 1< or a flashing RF icon ). The remote control does not communicate with the fireplace. This malfunction cannot be fixed automatically.
5. Fireplace failure. The automatic burner relay requires a "time-out" every 24 hours (according to current inspection regulations). During this "time-out", all applications of the automatic burner relay are tested. The fireplace is automatically switched off and stays off, until it is turned on again manually.











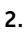
### 7.2.1 Removing or resetting a malfunction

The automatic burner relay is equipped with a safety setting per gas type for the automatic ignition attempts. Natural gas (G20, G25) has three automatic ignition attempts and propane or butane gas (G30, G31) only has one ignition attempt to ignite the burner. Should the automatic ignition attempt(s) fail, error code 08A and >ER< (Error) appear. This error code can be unlocked and removed twice using the remote control, before a 24-hour shut down is initiated (error code 08F).

Carry out the following steps to unlock the fireplace;

1. Press  approximately five times, after which the "A" code disappears.
2. Check if the gas valve is open.
3. Inspect if the ionisation pen is unobstructed by looking through the glass.
4. Initiate the new ignition attempt. Press , until >OK< flashes in the top left corner of the display.
5. You can repeat step 1-4 once.
6. If error code 08F appears you have to wait 24 hours before you can reattempt to ignite the gas fire. The waiting time must be respected, also after a power interruption.

## 7.2.2 Error codes iMatch remote control

Error code	Cause	Solution
Entire display flashing	Flat battery	Replace battery.
	Battery is low	Replace battery.
NOLK 0 in the middle of the display	Control error	Briefly press >NOLK< will appear in the top left corner of the display.
NOLK top left corner of the display	No communication between remote control and fireplace (for example in case of a new remote control)	<p><b>Synchronising remote control:</b></p> <ol style="list-style-type: none"> <li>1. Open the hatch of the technical unit and carefully remove the automatic burner relay so it is easily accessible.</li> <li>2. Remove the batteries from the remote control and press  (hereby discharging the remote control). Next, replace the batteries into the remote control.</li> <li>3. Isolate the automatic burner relay from power for 20 seconds, this will stimulate the synchronisation speed. Supply power back to the cable. The entire light will start flashing (once per second). Should the gas fire be provided with a hybrid function and/or NSG: detach the HCB cable from the automatic burner relay.</li> <li>4. Press  on the remote control until &gt;NOLK 0&lt; appears on the display. Next, release .</li> <li>5. In case &gt;NOLK 1&lt; or &gt;LINK 1&lt; appear, press  again until &gt;NOLK 0&lt; appears.</li> <li>6. Press the black button in the automatic burner relay until the yellow light continuously stops flashing, then immediately release the black button. The yellow light will start flashing rapidly now.</li> <li>7. Immediately (within 10 seconds) press  and hold it down until the word &gt;LINK&lt; starts flashing on the display.</li> <li>8. Wait until &gt;LINK 1&lt; appears and release .</li> <li>9. Press . The normal display with a stationary RF icon  will appear once the synchronisation is successful.</li> <li>10. Reconnect the HCB cable (if applicable).</li> <li>11. Place the automatic burner relay back into the technical unit and close the hatch.</li> </ol>
02F	Temperature of the circuit board is too high	<ol style="list-style-type: none"> <li>1. Turn off the fireplace for approximately 30 minutes.</li> <li>2. Then turn on the fireplace.</li> <li>3. In case the error reappears, there is insufficient ventilation in the chamber of the fireplace.</li> </ol>
04F	No mains voltage supply (two-way switch only)	Connect the supply mains voltage.
06F or  flashing	No communication between remote control and fireplace	<p><b>Should the light on the automatic burner relay (in the technical unit) not flash:</b></p> <ol style="list-style-type: none"> <li>1. Check power supply on the mains (230VAC).</li> <li>2. If this is correct, check/replace the VDC transformer and/or automatic burner relay.</li> </ol> <hr/> <p><b>In case the light on the automatic burner relay (in the technical unit) flashes:</b></p> <ol style="list-style-type: none"> <li>1. Place the remote control as close to the fireplace as possible.</li> <li>2. Briefly press  and wait approximately 60 seconds.</li> <li>3. Check the transmission strength. See: <a href="#">Checking transmission strength page 24</a>. Carry out the following steps to check the transmission strength between the fireplace and the remote control.</li> <li>4. Check for objects that could jam the signal (for instance metal casings).</li> <li>5. In case the signal keeps flashing -&gt; synchronise</li> </ol>

Error code	Cause	Solution
08A	No ionisation measurement during ignition.	<p><b>A flame is visible during ignition</b></p> <ol style="list-style-type: none"> <li>1. Check if the ionisation pen is <u>completely</u> unobstructed by looking into the fireplace.</li> <li>2. Check if the plug in the technical unit is correctly connected. See <a href="#">Wiring diagram on page 98</a>.</li> <li>3. Check the connection with the ionisation pen and whether there are damages to the ionisation cable.</li> <li>4. Measure the ionisation signal.</li> </ol> <p><b>No flame is visible during ignition, but there <u>was</u> a spark at the ignition pen.</b></p> <ol style="list-style-type: none"> <li>1. Remove the door from the fireplace (see 7.1.3 and 7.1.4)</li> <li>2. Carefully check that no decorative elements are obstructing the pen and if the spark correctly ignites the burner.</li> <li>3. Ignite the gas fire without the door once and check if gas is emanating from the burner. In case no gas is emanating from the burner: check for gas supply up to the technical unit (measure pre-pressure).</li> <li>4. In the presence of pre-pressure, check whether the cables running from the automatic burner relay to the gas valve unit are damaged and/or disconnected.</li> <li>5. If the gas pressure level is excessive (&gt;55mbar) the gas valve cannot be opened for safety reasons. The energy company or installer should fix this problem.</li> <li>6. In case of no result: exchange gas regulator.</li> </ol> <p><b>No flame is visible during ignition and <u>no</u> spark is visible at the ignition pen.</b></p> <ol style="list-style-type: none"> <li>1. Check whether the ignition pen is obstructed in the fireplace.</li> <li>2. Check if the plug connection is correct inside the technical unit. See <a href="#">Wiring diagram on page 98</a>.</li> <li>3. Check if there is sufficient 24V D/C power supply.</li> <li>4. Check the ignition cable for damages and check the connection with the burner.</li> <li>5. Check the HDIMS supply for the ignition transformer. If the 135 V is supplied: replace the ignition transformer, if there is no 135 V: replace the HDIMS.</li> </ol>
15A	Gas valve problem	<ol style="list-style-type: none"> <li>1. Check the cover wiring.</li> <li>2. In case of correct wiring: exchange gas regulator.</li> </ol>
29A	Problem with regulating the gas valve, no flame during ignition	<ol style="list-style-type: none"> <li>1. Check whether the gas valve is open.</li> <li>2. Measure the gas pressure at the gas valve intake. This must be &gt; 20 mbar or with a G30(B/P) &gt; 40 mbar.</li> <li>3. Measure the burner pressure with the measurement nipple behind the gas valve.</li> <li>4. Check the gas valve wiring and connection.</li> <li>5. Change gas valve settings, parameter TP01 or TP02.</li> <li>6. Check/replace the gas valve.</li> </ol>
33F	Low voltage gas valve	Replace automatic burner relay
34F	Insufficient voltage	<ol style="list-style-type: none"> <li>1. Measure mains voltage (&gt;220VAC)</li> <li>2. Measure outgoing transformer voltage 24 VDC and 12 VDC.</li> <li>3. If the outgoing voltage is lower than 20 VDC or 10 VDC, replace the transformer.</li> <li>4. If the outgoing voltage is correct, check the wiring for short-circuits.</li> </ol>
35F	Problem with the electrical driver	Replace automatic burner relay
50F	Gas valve wiring problem	Check the wiring and power plug connection. Repair if necessary.
51A	Failure of ionisation signal while fire is alight.	<ol style="list-style-type: none"> <li>1. Check whether the ionisation pen is obstructed in the fireplace.</li> <li>2. Check whether the flame remains nicely in the ionisation pen. In case the flame becomes transparent, recirculation is occurring.</li> <li>3. Check flue duct configuration.</li> </ol>



### 7.2.3 Error code iMatch interface

Error code	Cause	Solution
<b>Red light in iMatch interface is constantly red</b>	The iMatch interface has not yet been installed or is not provided with a sufficient Wi-Fi network strength.	Install the iMatch interface.
<b>Red/green LEDs are flashing on the iMatch interface</b>	Distance between Wi-Fi point and iMatch interface is too great	Place your Wi-Fi point closed to the iMatch interface (technical unit) or place a Wi-Fi repeater.
	You have not entered the Wi-Fi settings correctly in the app	Check the Wi-Fi settings. Erase the added room from the app. Reset the iMatch interface and try again.

## 7.3 Malfunctions Natural Spark Generator

### No sparks, possible causes

If there is no spark visible (any more), this can have the following causes:

- Natural Spark Generator cartridge is empty.
- No power supply on the Natural Spark Generator -> check whether the Natural Spark Generator has been connected correctly. See: [Wiring diagram on page 99](#).
- Natural Spark Generator pump / coil is defect -> contact your dealer or Kalfire.

## A. Appendices

The following sections contain appendices attached to the gas fire:

- Flue duct configurations 1 to 7
- TP01 and TP02: Installing Gas Valve
- Product card
- Restriction plates (G20, G25, G30 and G31)
- Configuration decorative elements
- Wiring diagram
- Technical specifications by appliance
- Certificate of compliance
- Attestation of Conformity remote control
- Drawing Technical Unit

### A.1 Flue duct configurations 1 through 7

The various flue pipe configurations are indicated in configuration 1 through 7. See Flue duct configurations 1 through 7.

#### Configuration 1

##### G20, G25

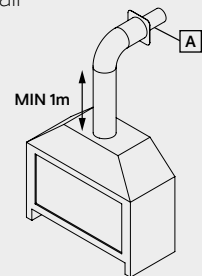
- AIR-STREAM 100/150
- AIR-STREAM 130/200

G60/48F	G80/48F	G100/41F	G120/41F	G160/41F
G65/44C	G85/44C	G105/37C	G125/37C	G165/37C
G70/44S	G90/44S	G110/37S	G130/37S	G170/37S

Burner	3D	3D	3D	3D	3D
Flue duct diameter 100/150 mm	○				
Flue duct diameter 130/200 mm		●	●	●	●
Max. vertical length (m)	24	24	24	24	24

1st metre vertical (min 1 m)	○	●	●	●	●
90° vertical elbow	○	●	●	●	●
Wall pass-through [A]	○	●	●	●	●

Vertical duct with wall pass-through



##### G20, G25

- AIR-STREAM 100/150
- AIR-STREAM 130/200

GP60/59F	GP60/79F	GP75/59F	GP80/54T	GP105/59F	GP105/79F	GP110/59T	GP110/79T
GP65/55C	GP65/75C	GP80/55C	GP85/50R	GP110/55C	GP110/75C	GP115/55R	GP115/75R
GP70/55S	GP70/75S	GP85/55S		GP115/55S	GP115/75S		

Burner	GP	GP	GP	GP	GP	GP	GP
Flue duct diameter 100/150 mm							
Flue duct diameter 130/200 mm	●	●	●	●	●	●	●
Max. vertical length (m)	12	12	12	12	12	12	12

1st metre vertical (min 1 m)	●	●	●	●	●	●	●
90° vertical elbow	●	●	●	●	●	●	●
Wall pass-through [A]	●	●	●	●	●	●	●

##### G30, G31

- AIR-STREAM 100/150
- AIR-STREAM 130/200

G60/48F	G80/48F	G100/41F	G120/41F	G160/41F
G65/44C	G85/44C	G105/37C	G125/37C	G165/37C
G70/44S	G90/44S	G110/37S	G130/37S	G170/37S

Burner	3D	3D	3D	3D	3D
Flue duct diameter 100/150 mm	○				
Flue duct diameter 130/200 mm		●	●	●	●
Max. vertical length (m)	24	24	24	24	24

1st metre vertical (min 1 m)	○	●	●	●	●
90° vertical elbow	○	●	●	●	●
Wall pass-through [A]	○	●	●	●	●

##### G30, G31

- AIR-STREAM 100/150
- AIR-STREAM 130/200

GP60/59F	GP60/79F	GP75/59F	GP80/54T	GP105/59F	GP110/59T	GP110/79T
GP65/55C	GP65/75C	GP80/55C	GP85/50R	GP110/55C	GP115/55R	GP115/75R
GP70/55S	GP70/75S	GP85/55S		GP115/55S		

Burner	GP	GP	GP	GP	GP	GP
Flue duct diameter 100/150 mm						
Flue duct diameter 130/200 mm	●	●	●	●	●	●
Max. vertical length (m)	12	12	12	12	12	12

1st metre vertical (min 1 m)	●	●	●	●	●	●
90° vertical elbow	●	●	●	●	●	●
Wall pass-through [A]	●	●	●	●	●	●

## Configuration 2

### G20, G25

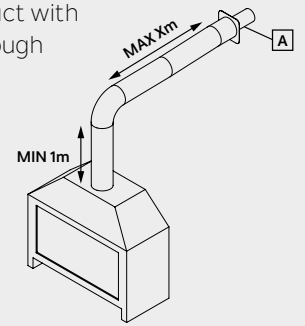
- AIR-STREAM 100/150
- AIR-STREAM 130/200

G60/48F	G80/48F	G100/41F	G120/41F	G160/41F
G65/44C	G85/44C	G105/37C	G125/37C	G165/37C
G70/44S	G90/44S	G110/37S	G130/37S	G170/37S

Burner	3D	3D	3D	3D	3D
Flue duct diameter 100/150 mm	○				
Flue duct diameter 130/200 mm		●	●	●	●
Max. vertical length (m)	24	24	24	24	24

1st metre vertical (min 0.5 m)	○	●	●	●	●
90° vertical elbow	○	●	●	●	●
Horizontal section (max m)	7	7	7	7	7
Wall pass-through [A]	○	●	●	●	●
Remove the ceiling plate					

Horizontal duct with wall pass-through



### G20, G25

- AIR-STREAM 100/150
- AIR-STREAM 130/200

GP60/59F	GP60/79F	GP75/59F	GP80/54T	GP105/59F	GP105/79F	GP110/59T	GP110/79T
GP65/55C	GP65/75C	GP80/55C	GP85/50R	GP110/55C	GP110/75C	GP115/55R	GP115/75R
GP70/55S	GP70/75S	GP85/55S		GP115/55S	GP115/75S		

Burner	GP	GP	GP	GP	GP	GP	GP
Flue duct diameter 100/150 mm							
Flue duct diameter 130/200 mm	●	●	●	●	●	●	●
Max. vertical length (m)	12	12	12	12	12	12	12

1st metre vertical (min 1 m)	●	●	●	●	●	●	●
90° vertical elbow	●	●	●	●	●	●	●
Horizontal section (max m)	5	5	5	5	5	4	4
Wall pass-through [A]	●	●	●	●	●	●	●
Remove the ceiling plate	●	●	●	●	●	●	●

### G30, G31

- AIR-STREAM 100/150
- AIR-STREAM 130/200

G60/48F	G80/48F	G100/41F	G120/41F	G160/41F
G65/44C	G85/44C	G105/37C	G125/37C	G165/37C
G70/44S	G90/44S	G110/37S	G130/37S	G170/37S

Burner	3D	3D	3D	3D	3D
Flue duct diameter 100/150 mm	○				
Flue duct diameter 130/200 mm		●	●	●	●
Max. vertical length (m)	24	24	24	24	24

1st metre vertical (min 1 m)	○	●	●	●	●
90° vertical elbow	○	●	●	●	●
Horizontal section (max m)	7	7	7	7	7
Wall pass-through [A]	○	●	●	●	●
Remove the ceiling plate					

### G30, G31

- AIR-STREAM 100/150
- AIR-STREAM 130/200

GP60/59F	GP60/79F	GP75/59F	GP80/54T	GP105/59F	GP110/59T	GP110/79T
GP65/55C	GP65/75C	GP80/55C	GP85/50R	GP110/55C	GP115/55R	GP115/75R
GP70/55S	GP70/75S	GP85/55S		GP115/55S		

Burner	GP	GP	GP	GP	GP	GP
Flue duct diameter 100/150 mm						
Flue duct diameter 130/200 mm	●	●	●	●	●	●
Max. vertical length (m)	12	12	12	12	12	12

1st metre vertical (min 1 m)	●	●	●	●	●	●
90° vertical elbow	●	●	●	●	●	●
Horizontal section (max m)	4	4	4	4	4	4
Wall pass-through [A]	●	●	●	●	●	●
Remove the ceiling plate			●		●	

### Configuration 3a

#### G20, G25

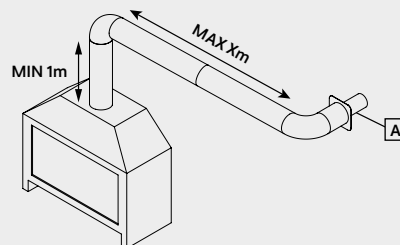
- AIR-STREAM 100/150
- AIR-STREAM 130/200

G60/48F	G80/48F	G100/41F	G120/41F	G160/41F
G65/44C	G85/44C	G105/37C	G125/37C	G165/37C
G70/44S	G90/44S	G110/37S	G130/37S	G170/37S

Burner	3D	3D	3D	3D	3D
Flue duct diameter 100/150 mm	○				
Flue duct diameter 130/200 mm		●	●	●	●
Max. vertical length (m)	24	24	24	24	24

1st metre vertical (min 1 m)	○	●	●	●	●
90° vertical elbow	○	●	●	●	●
Horizontal section (max m)	2,5	2,5	2,5	2,5	2,5
90° horizontal elbow	○	●	●	●	●
Wall pass-through [A]	○	●	●	●	●
Remove the ceiling plate					

Horizontal duct with horizontal elbow and wall pass-through



#### G20, G25

- AIR-STREAM 100/150
- AIR-STREAM 130/200

GP60/59F	GP60/79F	GP75/59F	GP80/54T	GP105/59F	GP105/79F	GP110/59T	GP110/79T
GP65/55C	GP65/75C	GP80/55C	GP85/50R	GP110/55C	GP110/75C	GP115/55R	GP115/75R
GP70/55S	GP70/75S	GP85/55S		GP115/55S	GP115/75S		

Burner	GP	GP	GP	GP	GP	GP	GP
Flue duct diameter 100/150 mm							
Flue duct diameter 130/200 mm	●	●	●	●	●	●	●
Max. vertical length (m)	12	12	12	12	12	12	12

1st metre vertical (min 1 m)	●	●	●	●	●	●	●
90° vertical elbow	●	●	●	●	●	●	●
Horizontal section (max m)	2,5	2,5	2,5	2,5	2,5	1,5	1,5
90° horizontal elbow	●	●	●	●	●	●	●
Wall pass-through [A]	●	●	●	●	●	●	●
Remove the ceiling plate	●	●	●	●	●	●	●

### Configuration 3b

#### G30, G31

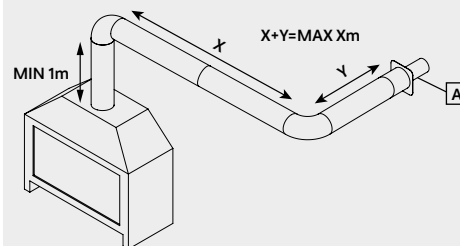
- AIR-STREAM 100/150
- AIR-STREAM 130/200

G60/48F	G80/48F	G100/41F	G120/41F	G160/41F
G65/44C	G85/44C	G105/37C	G125/37C	G165/37C
G70/44S	G90/44S	G110/37S	G130/37S	G170/37S

Burner	3D	3D	3D	3D	3D
Flue duct diameter 100/150 mm	○				
Flue duct diameter 130/200 mm		●	●	●	●
Max. vertical length (m)	24	24	24	24	24

1st metre vertical (min 1 m)	○	●	●	●	●
90° vertical elbow	○	●	●	●	●
Horizontal section (max m)	2,5	2,5	2,5	2,5	2,5
90° horizontal elbow	○	●	●	●	●
Wall pass-through [A]	○	●	●	●	●
Remove the ceiling plate					

Horizontal duct with horizontal elbow and wall pass-through



#### G30, G31

- AIR-STREAM 100/150
- AIR-STREAM 130/200

GP60/59F	GP60/79F	GP75/59F	GP80/54T	GP105/59F	GP110/59T	GP110/79T
GP65/55C	GP65/75C	GP80/55C	GP85/50R	GP110/55C	GP115/55R	GP115/75R
GP70/55S	GP70/75S	GP85/55S		GP115/55S		

Burner	GP	GP	GP	GP	GP	GP
Flue duct diameter 100/150 mm						
Flue duct diameter 130/200 mm	●	●	●	●	●	●
Max. vertical length (m)	12	12	12	12	12	12

1st metre vertical (min 1 m)	●	●	●	●	●	●
90° vertical elbow	●	●	●	●	●	●
Horizontal section x + y (max m)	2,5	2,5	2,5	2,5	2,5	1,5
90° horizontal elbow	●	●	●	●	●	●
Wall pass-through [A]	●	●	●	●	●	●
Remove the ceiling plate						

## Configuration 4a

### G20, G25

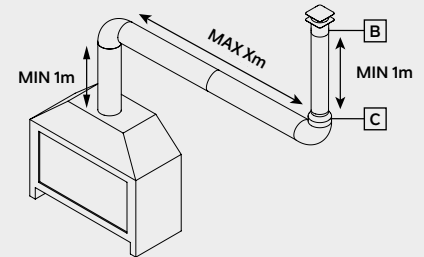
- AIR-STREAM 100/150
- AIR-STREAM 130/200

G60/48F	G80/48F	G100/41F	G120/41F	G160/41F
G65/44C	G85/44C	G105/37C	G125/37C	G165/37C
G70/44S	G90/44S	G110/37S	G130/37S	G170/37S

Burner	3D	3D	3D	3D	3D
Flue duct diameter 100/150 mm	○				
Flue duct diameter 130/200 mm		●	●	●	●
Max. vertical length (m)	24	24	24	24	24

1st metre vertical (min 0.5 m)	○	●	●	●	●
90° vertical elbow	○	●	●	●	●
Horizontal section (max m)	5	5	5	5	5
Connector 130/200 - 100/150 [C]		●	●	●	●
Vertical 100/150 (min 1 m)	○	○	○	○	○
Roof pass-through [B]	○	○	○	○	○
Remove the ceiling plate					

Horizontal duct with rejuvenation and roof pass-through



### G20, G25

- AIR-STREAM 100/150
- AIR-STREAM 130/200

GP60/59F	GP60/79F	GP75/59F	GP80/54T	GP105/59F	GP105/79F	GP110/59T	GP110/79T
GP65/55C	GP65/75C	GP80/55C	GP85/50R	GP110/55C	GP110/75C	GP115/55R	GP115/75R
GP70/55S	GP70/75S	GP85/55S		GP115/55S	GP115/75S		

Burner	GP	GP	GP	GP	GP	GP	GP	GP
Flue duct diameter 100/150 mm								
Flue duct diameter 130/200 mm	●	●	●	●	●	●	●	●
Max. vertical length (m)	12	12	12	12	12	12	12	12

1st metre vertical (min 0.5 m)	●	●	●	●	●	●	●	●
90° vertical elbow	●	●	●	●	●	●	●	●
Horizontal section (max m)	3	3	3	3	3	3	3	3
Connector 130/200 - 100/150 [C]	●	●	●	●	●	n.a.	n.a.	
Vertical 100/150 (min 1 m)	○	○	○	○	○	●	●	
Roof pass-through [B]	○	○	○	○	○	●	●	
Remove the ceiling plate								

### G30, G31

- AIR-STREAM 100/150
- AIR-STREAM 130/200

G60/48F	G80/48F	G100/41F	G120/41F	G160/41F
G65/44C	G85/44C	G105/37C	G125/37C	G165/37C
G70/44S	G90/44S	G110/37S	G130/37S	G170/37S

Burner	3D	3D	3D	3D	3D
Flue duct diameter 100/150 mm	○				
Flue duct diameter 130/200 mm		●	●	●	●
Max. vertical length (m)	24	24	24	24	24

1st metre vertical (min 0.5 m)	○	●	●	●	●
90° vertical elbow	○	●	●	●	●
Horizontal section (max m)	5	5	5	5	5
Connector 130/200 - 100/150 [C]		●	●	●	●
Vertical 100/150 (min 1 m)	○	○	○	○	○
Roof pass-through [B]	○	○	○	○	○
Remove the ceiling plate					

### G30, G31

- AIR-STREAM 100/150
- AIR-STREAM 130/200

GP60/59F	GP60/79F	GP75/59F	GP80/54T	GP105/59F	GP110/59T	GP110/79T
GP65/55C	GP65/75C	GP80/55C	GP85/50R	GP110/55C	GP115/55R	GP115/75R
GP70/55S	GP70/75S	GP85/55S		GP115/55S		

Burner	GP	GP	GP	GP	GP	GP	GP
Kanaal diameter 100/150 mm							
Kanaal diameter 130/200 mm	●	●	●	●	●	●	●
Max. verticale lengte (m)	12	12	12	12	12	12	12

1st metre vertical (min 0.5 m)	●	●	●	●	●	●	●
90° vertical elbow	●	●	●	●	●	●	●
Horizontal section (max m)	3	3	3	3	3	3	3
Connector 130/200 - 100/150 [C]	●	●	●	●	n.a.	n.a.	
Vertical 100/150 (min 1 m)	○	○	○	○	●	●	
Roof pass-through [B]	○	○	○	○	●	●	
Remove the ceiling plate			●	●	●	●	

### Configuration 4b

#### G20, G25

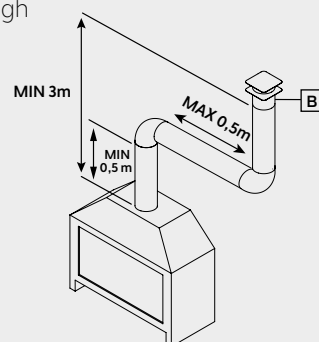
- AIR-STREAM 100/150
- AIR-STREAM 130/200

G60/48F	G80/48F	G100/41F	G120/41F	G160/41F
G65/44C	G85/44C	G105/37C	G125/37C	G165/37C
G70/44S	G90/44S	G110/37S	G130/37S	G170/37S

Burner	3D	3D	3D	3D	3D
Flue duct diameter 100/150 mm	○				
Flue duct diameter 130/200 mm		●	●	●	●
Max. vertical length (m)	24	24	24	24	24

1st metre vertical (min 0.5 m)	○	●	●	●	●
90° vertical elbow	○	●	●	●	●
Horizontal section (max 0.5 m)	○	●	●	●	●
Min. vertical length (3 m)	○	●	●	●	●
Roof pass-through [B]	○	●	●	●	●
Remove the ceiling plate					

Reducerduct with roof pass-through



#### G20, G25

- AIR-STREAM 100/150
- AIR-STREAM 130/200

GP60/59F	GP60/79F	GP75/59F	GP80/54T	GP105/59F	GP105/79F	GP110/59T	GP110/79T
GP65/55C	GP65/75C	GP80/55C	GP85/50R	GP110/55C	GP110/75C	GP115/55R	GP115/75R
GP70/55S	GP70/75S	GP85/55S		GP115/55S	GP115/75S		

Burner	GP	GP	GP	GP	GP	GP	GP	GP
Flue duct diameter 100/150 mm								
Flue duct diameter 130/200 mm	●	●	●	●	●	●	●	●
Max. vertical length (m)	12	12	12	12	12	12	12	12

1st metre vertical (min 0.5 m)	●	●	●	●	●	●	●	●
90° vertical elbow	●	●	●	●	●	●	●	●
Horizontal section (max 0.5 m)	●	●	●	●	●	●	●	●
Min. vertical length (3 m)	●	●	●	●	●	●	●	●
Roof pass-through [B]	●	●	●	●	●	●	●	●
Remove the ceiling plate								

#### G30, G31

- AIR-STREAM 100/150
- AIR-STREAM 130/200

G60/48F	G80/48F	G100/41F	G120/41F	G160/41F
G65/44C	G85/44C	G105/37C	G125/37C	G165/37C
G70/44S	G90/44S	G110/37S	G130/37S	G170/37S

Burner	3D	3D	3D	3D	3D
Flue duct diameter 100/150 mm	○				
Flue duct diameter 130/200 mm		●	●	●	●
Max. vertical length (m)	24	24	24	24	24

1st metre vertical (min 0.5 m)	○	●	●	●	●
90° vertical elbow	○	●	●	●	●
Horizontal section (max 0.5 m)	○	●	●	●	●
Min. vertical length (3 m)	○	●	●	●	●
Roof pass-through [B]	○	●	●	●	●
Remove the ceiling plate					

#### G30, G31

- AIR-STREAM 100/150
- AIR-STREAM 130/200

GP60/59F	GP60/79F	GP75/59F	GP80/54T	GP105/59F	GP110/59T	GP110/79T
GP65/55C	GP65/75C	GP80/55C	GP85/50R	GP110/55C	GP115/55R	GP115/75R
GP70/55S	GP70/75S	GP85/55S		GP115/55S		

Burner	GP	GP	GP	GP	GP	GP
Flue duct diameter 100/150 mm						
Flue duct diameter 130/200 mm	●	●	●	●	●	●
Max. vertical length (m)	12	12	12	12	12	12

1st metre vertical (min 0.5 m)	●	●	●	●	●	●
90° vertical elbow	●	●	●	●	●	●
Horizontal section (max 0.5 m)	●	●	●	●	●	●
Min. vertical length (3 m)	●	●	●	●	●	●
Roof pass-through [B]	●	●	●	●	●	●
Remove the ceiling plate			●		●	

### Configuration 5a

#### G20, G25

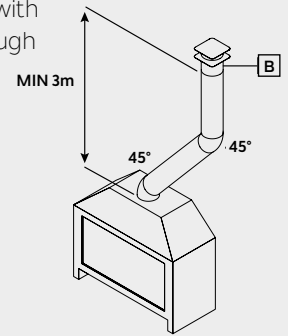
- AIR-STREAM 100/150
- AIR-STREAM 130/200

G60/48F	G80/48F	G100/41F	G120/41F	G160/41F
G65/44C	G85/44C	G105/37C	G125/37C	G165/37C
G70/44S	G90/44S	G110/37S	G130/37S	G170/37S

Burner	3D	3D	3D	3D	3D
Flue duct diameter 100/150 mm	○				
Flue duct diameter 130/200 mm		●	●	●	●
Max. vertical length (m)	24	24	24	24	24

15°, 30° or 45° elbow	○	●	●	●	●
Diagonal section	○	●	●	●	●
Min. vertical length (2 m)	○	●	●	●	●
Roof pass-through [B]	○	●	●	●	●

Diagonal duct with roof pass-through



#### G20, G25

- AIR-STREAM 100/150
- AIR-STREAM 130/200

GP60/59F	GP60/79F	GP75/59F	GP80/54T	GP105/59F	GP105/79F	GP110/59T	GP110/79T
GP65/55C	GP65/75C	GP80/55C	GP85/50R	GP110/55C	GP110/75C	GP115/55R	GP115/75R
GP70/55S	GP70/75S	GP85/55S		GP115/55S	GP115/75S		

Burner	GP	GP	GP	GP	GP	GP	GP
Flue duct diameter 100/150 mm							
Flue duct diameter 130/200 mm	●	●	●	●	●	●	●
Max. vertical length (m)	12	12	12	12	12	12	12

15°, 30° or 45° elbow	●	●	●	●	●	●	●
Diagonal section	●	●	●	●	●	●	●
Min. vertical length (2 m)	●	●	●	●	●	●	●
Roof pass-through [B]	●	●	●	●	●	●	●

#### G30, G31

- AIR-STREAM 100/150
- AIR-STREAM 130/200

G60/48F	G80/48F	G100/41F	G120/41F	G160/41F
G65/44C	G85/44C	G105/37C	G125/37C	G165/37C
G70/44S	G90/44S	G110/37S	G130/37S	G170/37S

Burner	3D	3D	3D	3D	3D
Flue duct diameter 100/150 mm	○				
Flue duct diameter 130/200 mm		●	●	●	●
Max. vertical length (m)	24	24	24	24	24

15°, 30° or 45° elbow	○	●	●	●	●
Diagonal section	○	●	●	●	●
Min. vertical length (2 m)	○	●	●	●	●
Roof pass-through [B]	○	●	●	●	●

#### G30, G31

- AIR-STREAM 100/150
- AIR-STREAM 130/200

GP60/59F	GP60/79F	GP75/59F	GP80/54T	GP105/59F	GP110/59T	GP110/79T
GP65/55C	GP65/75C	GP80/55C	GP85/50R	GP110/55C	GP115/55R	GP115/75R
GP70/55S	GP70/75S	GP85/55S		GP115/55S		

Burner	GP	GP	GP	GP	GP	GP
Flue duct diameter 100/150 mm						
Flue duct diameter 130/200 mm	●	●	●	●	●	●
Max. vertical length (m)	12	12	12	12	12	12

15°, 30° or 45° elbow	●	●	●	●	●	●
Diagonal section	●	●	●	●	●	●
Min. vertical length (2 m)	●	●	●	●	●	●
Roof pass-through [B]	●	●	●	●	●	●



### Configuration 5b

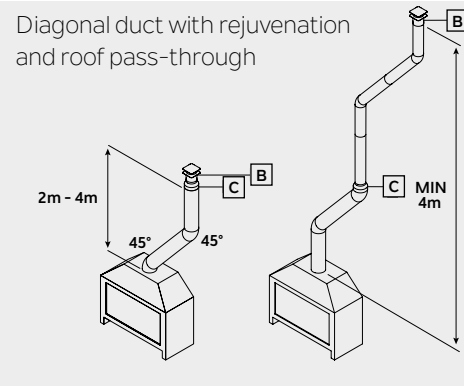
#### G20, G25

- AIR-STREAM 100/150
- AIR-STREAM 130/200

G60/48F	G80/48F	G100/41F	G120/41F	G160/41F
G65/44C	G85/44C	G105/37C	G125/37C	G165/37C
G70/44S	G90/44S	G110/37S	G130/37S	G170/37S

Burner	3D	3D	3D	3D	3D
Flue duct diameter 100/150 mm	○				
Flue duct diameter 130/200 mm		●	●	●	●
Max. vertical length (m)	24	24	24	24	24

15°, 30° or 45° elbow	○	●	●	●	●
Diagonal section	○	●	●	●	●
Min. vertical length (2/4 m)	○	●	●	●	●
Connector 130/200 - 100/150 [C]		●	●	●	●
Roof pass-through [B]	○	○	○	○	○



#### G20, G25

- AIR-STREAM 100/150
- AIR-STREAM 130/200

GP60/59F	GP60/79F	GP75/59F	GP80/54T	GP105/59F	GP105/79F	GP110/59T	GP110/79T
GP65/55C	GP65/75C	GP80/55C	GP85/50R	GP110/55C	GP110/75C	GP115/55R	GP115/75R
GP70/55S	GP70/75S	GP85/55S		GP115/55S	GP115/75S		

Burner	GP	GP	GP	GP	GP	GP	GP
Flue duct diameter 100/150 mm							
Flue duct diameter 130/200 mm	●	●	●	●	●	●	●
Max. vertical length (m)	12	12	12	12	12	12	12

15°, 30° or 45° elbow	●	●	●	●	●	●	●
Diagonal section	●	●	●	●	●	●	●
Min. vertical length (2/4 m)	●	●	●	●	●	●	●
Connector 130/200 - 100/150 [C]	●	●	●	●	●	n.a.	n.a.
Roof pass-through [B]	○	○	○	○	○	●	●

#### G30, G31

- AIR-STREAM 100/150
- AIR-STREAM 130/200

G60/48F	G80/48F	G100/41F	G120/41F	G160/41F
G65/44C	G85/44C	G105/37C	G125/37C	G165/37C
G70/44S	G90/44S	G110/37S	G130/37S	G170/37S

Burner	3D	3D	3D	3D	3D
Flue duct diameter 100/150 mm	○				
Flue duct diameter 130/200 mm		●	●	●	●
Max. vertical length (m)	24	24	24	24	24

15°, 30° or 45° elbow	○	●	●	●	●
Diagonal section	○	●	●	●	●
Min. vertical length (2/4 m)	○	●	●	●	●
Connector 130/200 - 100/150 [C]		●	●	●	●
Roof pass-through [B]	○	○	○	○	○

#### G30, G31

- AIR-STREAM 100/150
- AIR-STREAM 130/200

GP60/59F	GP60/79F	GP75/59F	GP80/54T	GP105/59F	GP110/59T	GP110/79T
GP65/55C	GP65/75C	GP80/55C	GP85/50R	GP110/55C	GP115/55R	GP115/75R
GP70/55S	GP70/75S	GP85/55S		GP115/55S		

Burner	GP	GP	GP	GP	GP	GP
Flue duct diameter 100/150 mm						
Flue duct diameter 130/200 mm	●	●	●	●	●	●
Max. vertical length (m)	12	12	12	12	12	12

15°, 30° or 45° elbow	●	●	●	●	●	●
Diagonal section	●	●	●	●	●	●
Min. vertical length (2/4 m)	●	●	●	●	●	●
Connector 130/200 - 100/150 [C]	●	●	●	●	n.a.	n.a.
Roof pass-through [B]	○	○	○	○	●	●

## Configuration 5c

### G20, G25

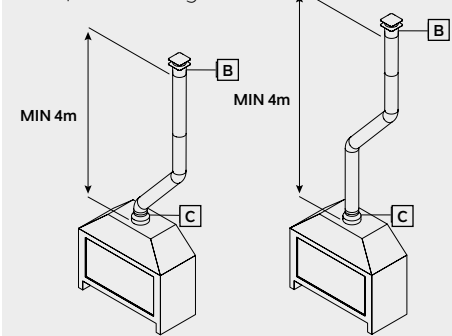
- AIR-STREAM 100/150
- AIR-STREAM 130/200

G60/48F	G80/48F	G100/41F	G120/41F	G160/41F
G65/44C	G85/44C	G105/37C	G125/37C	G165/37C
G70/44S	G90/44S	G110/37S	G130/37S	G170/37S

Burner	3D	3D	3D	3D	3D
Flue duct diameter 100/150 mm	○				
Flue duct diameter 130/200 mm		●	●	●	●
Max. vertical length (m)	24	24	24	24	24

Connector 130/200 - 100/150 [C]		●	●	●	●
15°, 30° or 45° elbow	○	○	○	○	○
Diagonal section	○	○	○	○	○
Min. vertical length (4 m)	○	○	○	○	○
Roof pass-through [B]	○	○	○	○	○

Rejuvenation, diagonal section and roof pass-through



### G20, G25

- AIR-STREAM 100/150
- AIR-STREAM 130/200

GP60/59F	GP60/79F	GP75/59F	GP80/54T	GP105/59F	GP105/79F	GP110/59T	GP110/79T
GP65/55C	GP65/75C	GP80/55C	GP85/50R	GP110/55C	GP110/75C	GP115/55R	GP115/75R
GP70/55S	GP70/75S	GP85/55S		GP115/55S	GP115/75S		

Burner	GP	GP	GP	GP	GP	GP	GP
Flue duct diameter 100/150 mm							
Flue duct diameter 130/200 mm	●	●	●	●	●	●	●
Max. vertical length (m)	12	12	12	12	12	12	12

Connector 130/200 - 100/150 [C]	●	●	●	●	●	●	n.a.
15°, 30° or 45° elbow	○	○	○	○	○	○	●
Diagonal section	○	○	○	○	○	○	●
Min. vertical length (4 m)	○	○	○	○	○	○	●
Roof pass-through [B]	○	○	○	○	○	○	●

### G30, G31

- AIR-STREAM 100/150
- AIR-STREAM 130/200

G60/48F	G80/48F	G100/41F	G120/41F	G160/41F
G65/44C	G85/44C	G105/37C	G125/37C	G165/37C
G70/44S	G90/44S	G110/37S	G130/37S	G170/37S

Burner	3D	3D	3D	3D	3D
Flue duct diameter 100/150 mm	○				
Flue duct diameter 130/200 mm		●	●	●	●
Max. vertical length (m)	24	24	24	24	24

Connector 130/200 - 100/150 [C]		●	●	●	●
15°, 30° or 45° elbow	○	○	○	○	○
Diagonal section	○	○	○	○	○
Min. vertical length (4 m)	○	○	○	○	○
Roof pass-through [B]	○	○	○	○	○

### G30, G31

- AIR-STREAM 100/150
- AIR-STREAM 130/200

GP60/59F	GP60/79F	GP75/59F	GP80/54T	GP105/59F	GP110/59T	GP110/79T
GP65/55C	GP65/75C	GP80/55C	GP85/50R	GP110/55C	GP115/55R	GP115/75R
GP70/55S	GP70/75S	GP85/55S		GP115/55S		

Burner	GP	GP	GP	GP	GP	GP
Flue duct diameter 100/150 mm						
Flue duct diameter 130/200 mm	●	●	●	●	●	●
Max. vertical length (m)	12	12	12	12	12	12

Connector 130/200 - 100/150 [C]	●	●	●	●	n.a.	n.a.
15°, 30° or 45° elbow	○	○	○	○	●	●
Diagonal section	○	○	○	○	●	●
Min. vertical length (4 m)	○	○	○	○	●	●
Roof pass-through [B]	○	○	○	○	●	●

### Configuration 6, situation 1 + 2

#### G20, G25

- AIR-STREAM 100/150
- AIR-STREAM 130/200

G60/48F	G80/48F	G100/41F	G120/41F	G160/41F
G65/44C	G85/44C	G105/37C	G125/37C	G165/37C
G70/44S	G90/44S	G110/37S	G130/37S	G170/37S

Burner	3D	3D	3D	3D	3D
Flue duct diameter 100/150 mm	○				
Flue duct diameter 130/200 mm		●	●	●	●
Max. vertical length (m)	24	24	24	24	24

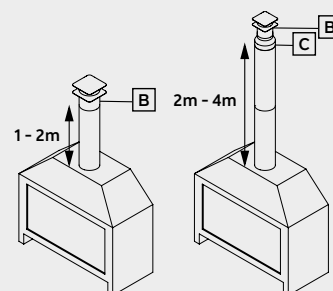
#### situation 1

Min 1 m - Max 2 m vertical 130/200		●	●	●	●
Min 1 m - Max 2 m vertical 100/150	○				
Roof pass-through [B]	○	●	●	●	●

#### situation 2

Min 2 m - Max 4 m vertical 130/200		●	●	●	●
Min 2 m - Max 4 m vertical 100/150	○				
Connector 130/200 - 100/150 [C]	n.a.	●	●	●	●
Roof pass-through [B]	○	○	○	○	○

Vertical duct with roof pass-through C31



situation 1

situation 2

#### G20, G25

- AIR-STREAM 100/150
- AIR-STREAM 130/200

GP60/59F	GP60/79F	GP75/59F	GP80/54T	GP105/59F	GP105/79F	GP110/59T	GP110/79T
GP65/55C	GP65/75C	GP80/55C	GP85/50R	GP110/55C	GP110/75C	GP115/55R	GP115/75R
GP70/55S	GP70/75S	GP85/55S		GP115/55S	GP115/75S		

Burner	GP	GP	GP	GP	GP	GP	GP
Flue duct diameter 100/150 mm							
Flue duct diameter 130/200 mm	●	●	●	●	●	●	●
Max. vertical length (m)	12	12	12	12	12	12	12

#### situation 1

Min 1 m - Max 2 m vertical 130/200	●	●	●	●	●	●	●
Min 1 m - Max 2 m vertical 100/150							
Roof pass-through [B]	●	●	●	●	●	●	●

#### situation 2

Min 2 m - Max 4 m vertical 130/200	●	●	●	●	●	●	●
Min 2 m - Max 4 m vertical 100/150							
Connector 130/200 - 100/150 [C]	●	●	●	●	●	n.a.	n.a.
Roof pass-through [B]	○	○	○	○	○	●	●

#### G30, G31

- AIR-STREAM 100/150
- AIR-STREAM 130/200

G60/48F	G80/48F	G100/41F	G120/41F	G160/41F
G65/44C	G85/44C	G105/37C	G125/37C	G165/37C
G70/44S	G90/44S	G110/37S	G130/37S	G170/37S

Burner	3D	3D	3D	3D	3D
Flue duct diameter 100/150 mm	○				
Flue duct diameter 130/200 mm		●	●	●	●
Max. vertical length (m)	24	24	24	24	24

#### situation 1

Min 1 m - Max 2 m vertical 130/200		●	●	●	●
Min 1 m - Max 2 m vertical 100/150	○				
Roof pass-through [B]	○	●	●	●	●

#### situation 2

Min 2 m - Max 4 m vertical 130/200		●	●	●	●
Min 2 m - Max 4 m vertical 100/150	○				
Connector 130/200 - 100/150 [C]	n.a.	●	●	●	●
Roof pass-through [B]	○	○	○	○	○

#### G30, G31

- AIR-STREAM 100/150
- AIR-STREAM 130/200

GP60/59F	GP60/79F	GP75/59F	GP80/54T	GP105/59F	GP110/59T	GP110/79T
GP65/55C	GP65/75C	GP80/55C	GP85/50R	GP110/55C	GP115/55R	GP115/75R
GP70/55S	GP70/75S	GP85/55S		GP115/55S		

Burner	GP	GP	GP	GP	GP	GP
Flue duct diameter 100/150 mm						
Flue duct diameter 130/200 mm	●	●	●	●	●	●
Max. vertical length (m)	12	12	12	12	12	12

#### situation 1

Min 1 m - Max 2 m vertical 130/200	●	●	●	●	●	●
Min 1 m - Max 2 m vertical 100/150						
Roof pass-through [B]	●	●	●	●	●	●

#### situation 2

Min 2 m - Max 4 m vertical 130/200	●	●	●	●	●	●
Min 2 m - Max 4 m vertical 100/150						
Connector 130/200 - 100/150 [C]	●	●	●	●	n.a.	n.a.
Roof pass-through [B]	○	○	○	○	●	●

### Configuration 6, situation 3

#### G20, G25

- AIR-STREAM 100/150
- AIR-STREAM 130/200

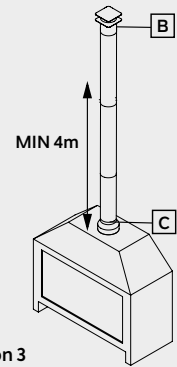
G60/48F	G80/48F	G100/41F	G120/41F	G160/41F
G65/44C	G85/44C	G105/37C	G125/37C	G165/37C
G70/44S	G90/44S	G110/37S	G130/37S	G170/37S

Burner	3D	3D	3D	3D	3D
Flue duct diameter 100/150 mm	○				
Flue duct diameter 130/200 mm		●	●	●	●
Max. vertical length (m)	24	24	24	24	24

#### situation 3

Connector 130/200 - 100/150 [C]	n.a.	●	●	●	●
Min 4 m - Max 24 m vertical 100/150	○	○	○	○	○
Min 4 m - Max 12 m vertical 100/150					
Roof pass-through [B]	○	○	○	○	○

Vertical duct with roof pass-through C31



situation 3

#### G20, G25

- AIR-STREAM 100/150
- AIR-STREAM 130/200

GP60/59F	GP60/79F	GP75/59F	GP80/54T	GP105/59F	GP105/79F	GP110/59T	GP110/79T
GP65/55C	GP65/75C	GP80/55C	GP85/50R	GP110/55C	GP110/75C	GP115/55R	GP115/75R
GP70/55S	GP70/75S	GP85/55S		GP115/55S	GP115/75S		

Burner	GP	GP	GP	GP	GP	GP	GP	GP
Flue duct diameter 100/150 mm								
Flue duct diameter 130/200 mm	●	●	●	●	●	●	●	●
Max. vertical length (m)	12	12	12	12	12	12	12	12

#### situation 3

Connector 130/200 - 100/150 [C]	●	●	●	●	●	●	n.a.	n.a.
Min 4 m - Max 24 m vertical 100/150								
Min 4 m - Max 12 m vertical 100/150	○	○	○	○	○	○	●	●
Roof pass-through [B]	○	○	○	○	○	○	●	●

#### G30, G31

- AIR-STREAM 100/150
- AIR-STREAM 130/200

G60/48F	G80/48F	G100/41F	G120/41F	G160/41F
G65/44C	G85/44C	G105/37C	G125/37C	G165/37C
G70/44S	G90/44S	G110/37S	G130/37S	G170/37S

Burner	3D	3D	3D	3D	3D
Flue duct diameter 100/150 mm	○				
Flue duct diameter 130/200 mm		●	●	●	●
Max. vertical length (m)	24	24	24	24	24

#### situation 3

Connector 130/200 - 100/150 [C]	n.a.	●	●	●	●
Min 4 m - Max 24 m vertical 100/150	○	○	○	○	○
Min 4 m - Max 12 m vertical 100/150					
Roof pass-through [B]	○	○	○	○	○

#### G30, G31

- AIR-STREAM 100/150
- AIR-STREAM 130/200

GP60/59F	GP60/79F	GP75/59F	GP80/54T	GP105/59F	GP110/59T	GP110/79T
GP65/55C	GP65/75C	GP80/55C	GP85/50R	GP110/55C	GP115/55R	GP115/75R
GP70/55S	GP70/75S	GP85/55S		GP115/55S		

Burner	GP	GP	GP	GP	GP	GP	GP
Flue duct diameter 100/150 mm							
Flue duct diameter 130/200 mm	●	●	●	●	●	●	●
Max. vertical length (m)	12	12	12	12	12	12	12

#### situation 3

Connector 130/200 - 100/150 [C]	●	●	●	●	●	n.a.	n.a.
Min 4 m - Max 24 m vertical 100/150							
Min 4 m - Max 12 m vertical 100/150	○	○	○	○	○	●	●
Roof pass-through [B]	○	○	○	○	○	●	●

### Configuration 7

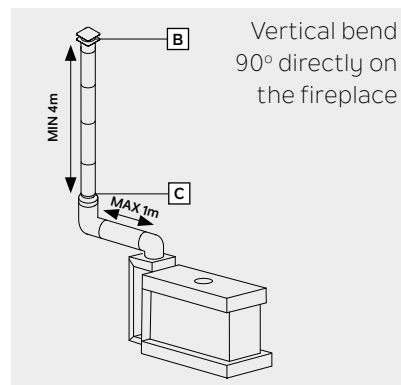
#### G20, G25

- AIR-STREAM 100/150
- AIR-STREAM 130/200

	GP80/54T GP85/50R	GP110/59T GP115/55R	GP110/79T GP115/75R
GP			

Burner	GP	GP	GP	GP	GP
Flue duct diameter 100/150 mm					
Flue duct diameter 130/200 mm	●	●	●	●	●
Max. vertical length (m)	12	12	12	12	12

Vertical bend 90°	●	●	●	●	●	●
Straight horizontal (max 1m)	●	●	●	●	●	●
Adapter 130/200 - 100/150 [C]	●	●	n.a.	n.a.	n.a.	n.a.
Min. 4 m vertical	○/●	○/●	●	●	●	●
Roof duct [B]	○/●	○/●	●	●	●	●



#### G30

- AIR-STREAM 100/150
- AIR-STREAM 130/200

	GP80/54T GP85/50R	GP110/59T GP115/55R	GP110/79T GP115/75R
GP			

Burner	GP	GP	GP	GP	GP
Flue duct diameter 100/150 mm					
Flue duct diameter 130/200 mm	●	●	●	●	●
Max. vertical length (m)	12	12	12	12	12

Vertical bend 90°	●	●	●	●	●	●
Straight horizontal (max 1m)	●	●	●	●	●	●
Adapter 130/200 - 100/150 [C]	●	●	n.a.	n.a.	n.a.	n.a.
Min. 4 m vertical	○/●	○/●	●	●	●	●
Roof duct [B]	○/●	○/●	●	●	●	●

## A.2 TP01 and TP02: Installing Gas Valve

Maximum burner pressure with parameter TP02 (default setting=70)

1. Press and hold <P> (approximately 30 to 40 seconds) until "TCOM" appears and flashes on the screen.
2. Release <P> and press and hold <P> again, then press <CB> shortly after: "FH01" will now appear
3. Release <P> and press and hold <P> again, then press <CB> shortly after: "TP01" will now appear
4. Press the <+> button once until TP02 appears.
5. The preprogrammed parameter value will appear in the middle of the display after a few seconds.
6. Adjust this parameter value with the <+> and <-> buttons depending on what the conclusions are in point e.
7. The new parameter value will flash after this adjustment: if the flashing has stopped exit the TP programme by pressing the <CB> button.
8. Check by remeasuring the gas pressure whether the previously set burner pressure needs another adjustment.

Minimum burner pressure with parameter TP01 (default setting=50)

Set the flame intensity to level 1 and compare the measured minimum burner pressure at this level to the burner pressure that is indicated in the documentation: if the measured burner pressure is lower than the one in the documentation, the TP01 parameter should be increased, and the other way around.

9. Repeat steps 1 to 3.
10. The preprogrammed parameter value will appear in the middle of the display after a few seconds.
11. Adjust this parameter value with the <+> and <-> buttons depending on what the conclusions are in point p.
12. Optionally, measure the burner pressure and compare it with the technical details, or set the values on the basis of the desired flame intensity.
13. Exit the TP programme by pressing the <CB> button.
14. Set the flame intensity to level 8 and lower it to level 1, then check if the installed burner pressure value aligns with the value that is showing now: if there is a difference of > 0,5 mbar, then repeat the actions.



**WARNING** Take enough time to let the appliance burn at a certain flame intensity - the gas valve needs at least 30 seconds to generate the correct settings.

### A.3 Product card (in conformance with (EU) 2015/1186 Appendix IV)

Model			Gas type	Energy efficiency class*	Direct heat output	Indirect heat output	Energy efficiency index (EEI)	Useful return at nominal heat output	Useful return at minimum heat output
Kalfire G60/48F	Kalfire G65/44C	Kalfire G70/44S	G25	C	6.0 kW	N/A	81%	84.0%	74.3%
Kalfire G60/48F	Kalfire G65/44C	Kalfire G70/44S	G20	C	5.8 kW	N/A	82%	85.3%	80.0%
Kalfire G60/48F	Kalfire G65/44C	Kalfire G70/44S	G30 - 30 mbar	D	5.5 kW	N/A	72%	75.3%	68.3%
Kalfire G60/48F	Kalfire G65/44C	Kalfire G70/44S	G30 - 50 mbar	D	5.6 kW	N/A	72%	75.7%	67.8%
Kalfire G80/48F	Kalfire G85/44C	Kalfire G90/44S	G25	C	6.8 kW	N/A	79%	82.3%	77.2%
Kalfire G80/48F	Kalfire G85/44C	Kalfire G90/44S	G20	C	6.6 kW	N/A	79%	82.6%	78.4%
Kalfire G80/48F	Kalfire G85/44C	Kalfire G90/44S	G30 - 30 mbar	D	5.1 kW	N/A	75%	78.3%	49.4%
Kalfire G80/48F	Kalfire G85/44C	Kalfire G90/44S	G30 - 50 mbar	D	5.1 kW	N/A	75%	78.3%	49.4%
Kalfire G100/41F	Kalfire G105/37C	Kalfire G110/37S	G25	D	7.4 kW	N/A	74%	77.4%	64.2%
Kalfire G100/41F	Kalfire G105/37C	Kalfire G110/37S	G20	C	7.4 kW	N/A	80%	83.2%	79.8%
Kalfire G100/41	Kalfire G105/37C	Kalfire G110/37S	G30 - 30 mbar	D	8.2 kW	N/A	72%	75.4%	61.6%
Kalfire G100/41F	Kalfire G105/37C	Kalfire G110/37S	G30 - 50 mbar	D	9.8 kW	N/A	73%	75.8%	69.6%
Kalfire G120/41F	Kalfire G125/37C	Kalfire G130/37S	G25	C	8.8 kW	N/A	81%	83.8%	86.1%
Kalfire G120/41F	Kalfire G125/37C	Kalfire G130/37S	G20	C	8.3 kW	N/A	81%	84.6%	76.4%
Kalfire G120/41F	Kalfire G125/37C	Kalfire G130/37S	G30 - 30 mbar	C	9.7 kW	N/A	81%	76.5%	73.6%
Kalfire G120/41F	Kalfire G125/37C	Kalfire G130/37S	G30 - 50 mbar	D	9.9 kW	N/A	76%	78.9%	62.7%
Kalfire G160/41F	Kalfire G165/37C	Kalfire G170/37S	G25	C	10.4 kW	N/A	79%	78.9%	70.1%
Kalfire G160/41F	Kalfire G165/37C	Kalfire G170/37S	G20	C	10.8 kW	N/A	81%	81.8%	77.8%
Kalfire G160/41F	Kalfire G165/37C	Kalfire G170/37S	G30 - 30 mbar	C	11.0 kW	N/A	79%	83.8%	77.0%
Kalfire G160/41F	Kalfire G165/37C	Kalfire G170/37S	G30 - 50 mbar	C	11.3 kW	N/A	79%	82.0%	79.6%

Model			Gas type	Energy efficiency class*	Direct heat output	Indirect heat output	Energy efficiency index (EEI)	Useful return at nominal heat output	Useful return at minimum heat output
Kalfire GP60/59F	Kalfire GP65/55C	Kalfire GP70/55S	G25	D	6.2 kW	N/A	72%	76.1%	62.7%
Kalfire GP60/59F	Kalfire GP65/55C	Kalfire GP70/55S	G20	D	6.1 kW	N/A	72%	76.0%	66.7%
Kalfire GP60/59F	Kalfire GP65/55C	Kalfire GP70/55S	G30 - 30 mbar	D	7.6 kW	N/A	72%	76.1%	65.9%
Kalfire GP60/59F	Kalfire GP65/55C	Kalfire GP70/55S	G30 - 50 mbar	D	7.6 kW	N/A	72%	76.1%	65.9%
Kalfire GP60/79F	Kalfire GP65/75C	Kalfire GP70/75S	G25	D	7.8 kW	N/A	73%	76.3%	66.2%
Kalfire GP60/79F	Kalfire GP65/75C	Kalfire GP70/75S	G20	D	7.9 kW	N/A	72%	76.2%	67.4%
Kalfire GP60/79F	Kalfire GP65/75C	Kalfire GP70/75S	G30 - 30 mbar	D	7.9 kW	N/A	73%	76.8%	70.6%
Kalfire GP60/79F	Kalfire GP65/75C	Kalfire GP70/75S	G30 - 50 mbar	D	7.9 kW	N/A	73%	76.8%	66.2%
Kalfire GP75/59F	Kalfire GP80/55C	Kalfire GP85/55S	G25	D	8.0 kW	N/A	73%	77.0%	78.3%
Kalfire GP75/59F	Kalfire GP80/55C	Kalfire GP85/55S	G20	C	8.7 kW	N/A	79%	83.0%	64.6%
Kalfire GP75/59F	Kalfire GP80/55C	Kalfire GP85/55S	G30 - 30 mbar	D	4.2 kW	N/A	73%	77.4%	64.6%
Kalfire GP75/59F	Kalfire GP80/55C	Kalfire GP85/55S	G30 - 50 mbar	D	4.7 kW	N/A	73%	77.4%	77.8%
Kalfire GP80/54T	Kalfire GP85/50R		G25	D	7.7 kW	N/A	73%	77.0%	71.3%
Kalfire GP80/54T	Kalfire GP85/50R		G20	D	7.9 kW	N/A	75%	79.0%	75.1%
Kalfire GP80/54T	Kalfire GP85/50R		G30 - 30 mbar	D	6.1 kW	N/A	73%	77.1%	69.6%
Kalfire GP80/54T	Kalfire GP85/50R		G30 - 50 mbar	D	6.1 kW	N/A	73%	77.1%	69.6%
Kalfire GP105/59F	Kalfire GP110/55C	Kalfire GP115/55S	G25	D	7.7 kW	N/A	73%	77.0%	68.2%
Kalfire GP105/59F	Kalfire GP110/55C	Kalfire GP115/55S	G20	C	8.8 kW	N/A	78%	82.0%	78.7%
Kalfire GP105/59F	Kalfire GP110/55C	Kalfire GP115/55S	G30 - 30 mbar	D	4.5 kW	N/A	73%	77.4%	67.7%
Kalfire GP105/59F	Kalfire GP110/55C	Kalfire GP115/55S	G30 - 50 mbar	D	4.6 kW	N/A	73%	77.4%	67.7%
Kalfire GP105/79F	Kalfire GP110/75C	Kalfire GP115/75S	G25	C	10.3 kW	N/A	77%	80.7%	78.6%
Kalfire GP105/79F	Kalfire GP110/75C	Kalfire GP115/75S	G20	C	11.4 kW	N/A	79%	82.1%	74.1%
Kalfire GP110/59T	Kalfire GP115/55R		G25	D	9.1 kW	N/A	72%	68%	63%
Kalfire GP110/59T	Kalfire GP115/55R		G20	D	9.4 kW	N/A	72%	72%	68%
Kalfire GP110/59T	Kalfire GP115/55R		G30 - 30 mbar	D	9.0 kW	N/A	72%	70%	65%
Kalfire GP110/59T	Kalfire GP115/55R		G30 - 50 mbar	D	9.0 kW	N/A	72%	70%	65%
Kalfire GP110/79T	Kalfire GP115/75R		G25	D	9.1 kW	N/A	72%	68%	63%
Kalfire GP110/79T	Kalfire GP115/75R		G20	D	9.4 kW	N/A	72%	72%	68%
Kalfire GP110/79T	Kalfire GP115/75R		G30 - 30 mbar	D	9.0 kW	N/A	72%	70%	65%
Kalfire GP110/79T	Kalfire GP115/75R		G30 - 50 mbar	D	9.0 kW	N/A	72%	70%	65%



#### A.4 Restriction plates (G20, G25, G30 and G31)

Each gas fire configuration needs a restriction plate to ensure uniform combustion. This depends on the type of gas, as indicated in the table below. This restriction plate should be mounted if the chimney calculation results in a value above 5.5. The restriction plate should not be mounted below this value.

Appliances	If the result of a chimney calculation is more than 5.5, mount the restriction plate below			
	G20	G25	G30	G31
G60/48F, G65/44C, G70/44S	50	45	35	35
G80/48F, G85/44C, G90/44S	71	68	50	50
G100/41F, G105/37C, G110/37S	75	50	-	-
G120/41F, G125/37C, G130/37S	65	60	40	40
G160/41F, G165/37C, G170/37S	55	50	50	50
GP60/59F, GP65/55C, GP70/55S	55	55	68	68
GP60/79F, G65/75C, GP70/75S	62	62	68	68
GP75/59F, GP80/55C, GP85/55S	68	55	-	-
GP80/54T, GP85/50R	55	55	68	68
GP105/59F, GP110/55C, GP115/55S	68	55	-	-
GP105/79F, GP110/75C, GP115/75S	50	55	N/A	N/A
GP110/59T, GP110/79T	N/A	N/A	N/A	N/A
GP115/55R, GP115/75R	N/A	N/A	N/A	N/A

## A.5 Configuration of the decorative elements

### A.5.1 Placing decorative elements

Kalfire G60/48F, G65/44C, G70/44S  
Standard log set



**CAREFUL!** The decorative elements must be placed according to the instructions. It is prohibited to alter the number of decorative elements or the configuration thereof. Such alterations can lead to hazardous situations with regard to fire safety. Take the instructions into account: [Safety instructions for decorative elements on page 9](#)



Kalfire G60/48F, G65/44C, G70/44S Standard log set

Number	Amount	Description
1	1	F160676
2	1	F160681
3	1	F160677
4	1	F160678
5	1	F160679
6	1	F160682



**A.5.2 Placing decorative elements**  
**Kalfire G60/48F, G65/44C, G70/44S**  
**Exclusive log set**



**CAREFUL!** The decorative elements must be placed according to the instructions. It is prohibited to alter the number of decorative elements or the configuration thereof. Such alterations can lead to hazardous situations with regard to fire safety. Take the instructions into account: [Safety instructions for decorative elements on page 9](#)



**Kalfire G60/48F, G65/44C, G70/44S Exclusive log set**

Number	Amount	Description
1	1	F060682
2	1	F060683
3	1	F060684
4	1	F160681
5	1	F060686
6	1	F060687
7	2	F160692



**A.5.3 Placing decorative elements**  
**Kalfire G80/48F, G85/44C, G90/44S**  
**Standard log set**



**CAREFUL!** The decorative elements must be placed according to the instructions. It is prohibited to alter the number of decorative elements or the configuration thereof. Such alterations can lead to hazardous situations with regard to fire safety. Take the instructions into account: [Safety instructions for decorative elements on page 9](#)



**Kalfire G80/48F, G85/44C, G90/44S Standard set**

Number	Amount	Description
1	1	F060682
2	1	F160690
3	1	F060684
4	1	F060683
5	1	F080676
6	1	F080677
7	1	F160678
8	1	F160679
9	1	F160681



**A.5.4 Placing decorative elements**  
**Kalfire G80/48F, G85/44C, G90/44S**  
**log set**



**CAREFUL!** The decorative elements must be placed according to the instructions. It is prohibited to alter the number of decorative elements or the configuration thereof. Such alterations can lead to hazardous situations with regard to fire safety. Take the instructions into account: [Safety instructions for decorative elements on page 9](#)



**Kalfire G80/48F, G85/44C, G90/44S Exclusive log set**

Number	Amount	Description
1	1	F060682
2	1	F060684
3	1	F060683
4	1	F080676
5	1	F080677
6	1	F160681
7	1	H75126
8	1	H1055680
9	2	F160692





**A.5.5 Placing decorative elements**  
**Kalfire G100/41F, G105/37C, G110/37S**  
**Standard log set**



**CAREFUL!** The decorative elements must be placed according to the instructions. It is prohibited to alter the number of decorative elements or the configuration thereof. Such alterations can lead to hazardous situations with regard to fire safety. Take the instructions into account: [Safety instructions for decorative elements on page 9](#)



**Kalfire G100/41F, G105/37C, G110/37S Standard log set**

Number	Amount	Description
1	2	F160681
2	2	F160679
3	1	F160690
4	1	F160676
5	1	F160688
6	1	F160689
7	2	F160677





**A.5.6 Placing decorative elements**  
**Kalfire G100/41F, G105/37C, G110/37S Exclusive**  
**log set**



**CAREFUL!** The decorative elements must be placed according to the instructions. It is prohibited to alter the number of decorative elements or the configuration thereof. Such alterations can lead to hazardous situations with regard to fire safety. Take the instructions into account: [Safety instructions for decorative elements on page 9](#)



**Kalfire G100/41F, G105/37C, G110/37S Exclusive log set**

Number	Amount	Description
1	2	F160679
2	1	F160687
3	1	F160685
4	1	F160684
5	1	F160686
6	1	F160692
7	2	F160693
8	1	F160677





**A.5.7 Placing decorative elements**  
**Kalfire G120/41F, G125/37C, G130/37S**  
**Standard log set**



**CAREFUL!** The decorative elements must be placed according to the instructions. It is prohibited to alter the number of decorative elements or the configuration thereof. Such alterations can lead to hazardous situations with regard to fire safety. Take the instructions into account: [Safety instructions for decorative elements on page 9](#)



**Kalfire G120/41F, G125/37C, G130/37S Standard log set**

Number	Amount	Description
1	2	F160681
2	2	F160679
3	1	F160690
4	2	F160692
5	1	F160676
6	1	F160688
7	1	F160689
8	2	F160677







**A.5.8 Placing decorative elements**  
**Kalfire G120/41F, G125/37C, G130/37S Exclusive**  
**log set**



**CAREFUL!** The decorative elements must be placed according to the instructions. It is prohibited to alter the number of decorative elements or the configuration thereof. Such alterations can lead to hazardous situations with regard to fire safety. Take the instructions into account: [Safety instructions for decorative elements on page 9](#)



**Kalfire G120/41F, G125/37C, G130/37S Exclusive log set**

Number	Amount	Description
1	1	F160681
2	2	F160679
3	1	F160687
4	1	F160685
5	1	F160684
6	1	F160686
7	2	F160692
8	2	F160693
9	1	F160677
10	1	F160691





**A.5.9 Placing decorative elements**  
**Kalfire G160/41F, G165/37C, G170/37S**  
**Standard log set**

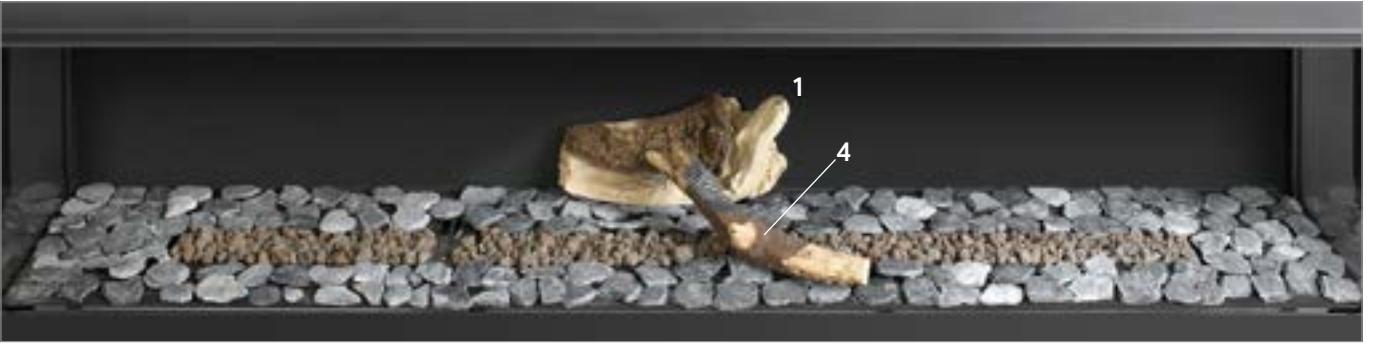


**CAREFUL!** The decorative elements must be placed according to the instructions. It is prohibited to alter the number of decorative elements or the configuration thereof. Such alterations can lead to hazardous situations with regard to fire safety. Take the instructions into account: [Safety instructions for decorative elements on page 9](#)



**Kalfire G160/41F, G165/37C, G170/37S Standard log set**

Number	Amount	Description
1	1	F160676
2	2	F160680
3	1	F160682
4	3	F160681
5	2	F160677
6	1	F160678
7	3	F160679







**A.5.10 Placing decorative elements**  
**Kalfire G160/41F, G165/37C, G170/37S**  
**Exclusive log set**



**CAREFUL!** The decorative elements must be placed according to the instructions. It is prohibited to alter the number of decorative elements or the configuration thereof. Such alterations can lead to hazardous situations with regard to fire safety. Take the instructions into account: [Safety instructions for decorative elements on page 9](#)



**Kalfire G160/41F, G165/37C, G170/37S Exclusive log set**

Number	Amount	Description
1	1	F160681
2	1	F160678
3	2	F160679
4	1	F160687
5	1	F160685
6	1	F160684
7	1	F160683
8	1	F160686
9	1	F160690
10	2	F160692
11	3	F160693





**A.5.11 Placing decorative elements**  
**Kalfire GP60/59F, GP65/55C, GP70/55S and**  
**Kalfire GP60/79F, GP65/75C, GP70/75S**

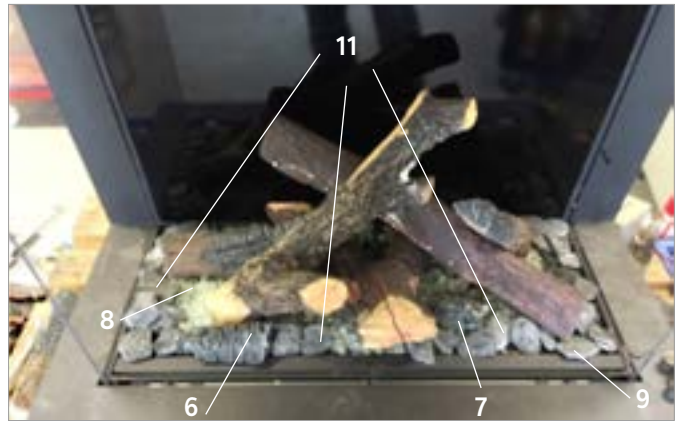


**CAREFUL!** The decorative elements must be placed according to the instructions. It is prohibited to alter the number of decorative elements or the configuration thereof. Such alterations can lead to hazardous situations with regard to fire safety. Take the instructions into account: [Safety instructions for decorative elements on page 9](#)



**Kalfire GP60/59F, GP65/55C, GP70/55S and Kalfire GP60/79F, GP65/75C, GP70/75S**

Number	Amount	Description	Number	Amount	Description
1,2,3	1	Logs	8		Glass pebbles
4	1	H385419	9	2	H075715
5	1	F060684	10	1	H075716
6	1	F160691	11	2	H075720
7	1	H10575676			



**A.5.12 Placing decorative elements Kalfire GP75/59F, GP80/55C, GP85/55S**



**CAREFUL!** The decorative elements must be placed according to the instructions. It is prohibited to alter the number of decorative elements or the configuration thereof. Such alterations can lead to hazardous situations with regard to fire safety. Take the instructions into account: [Safety instructions for decorative elements on page 9](#)





9

10

11

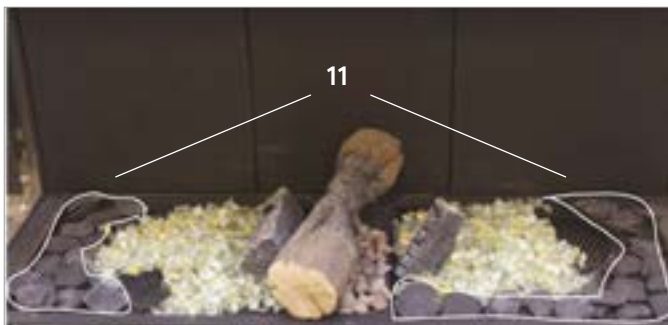
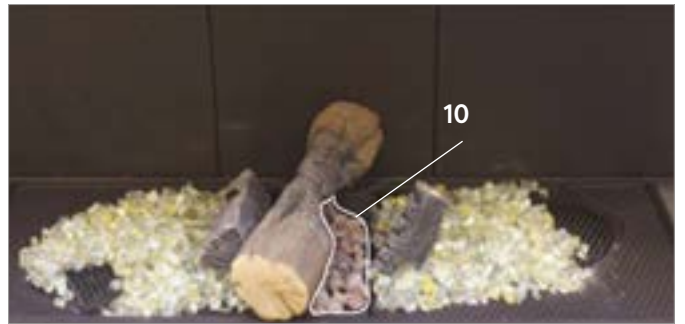
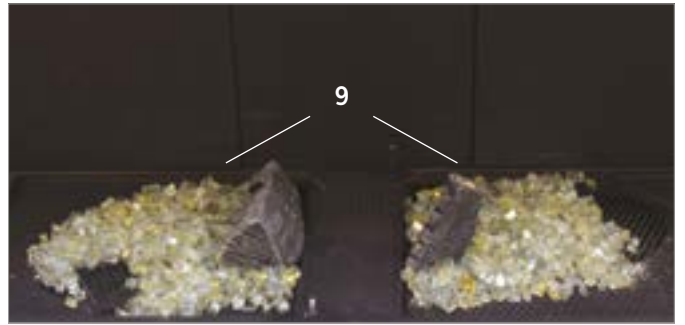
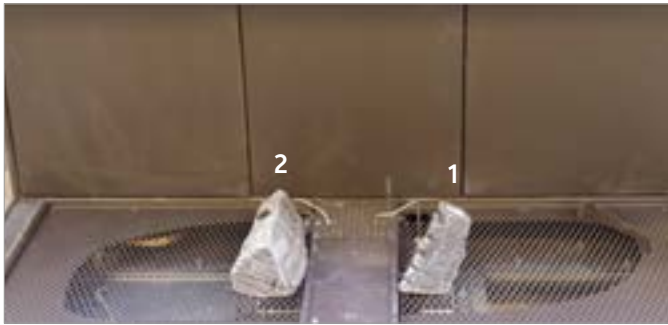


12

13

**Kalfire GP75/59F, GP80/55C, GP85/55S**

Number	Amount	Description	Number	Amount	Description
1	1	H075680	8	1	F060687
2	1	H075681	9		Glass pebbles
3	1	H075682	10	1	H075714
4.5		Logs	11	3	H075715
6	1	F060684	12	1	H075716
7	1	F060686	13	2	H075720







**A.5.13 Placing decorative elements**  
**Kalfire GP80/54T, GP85/50R**



**CAREFUL!** The decorative elements must be placed according to the instructions. It is prohibited to alter the number of decorative elements or the configuration thereof. Such alterations can lead to hazardous situations with regard to fire safety. Take the instructions into account: [Safety instructions for decorative elements on page 9](#)





13

14

15



16

**Kalfire GP80/54T, GP85/50R**

Number	Amount	Description
1,2,3		Logs
4	1	H075680
5	1	H385418
6	1	H160692
7	1	F060684
8	1	F160679
9	1	H385419
10	1	H75127
11	1	F160681
12	1	F060686
13		Glass pebbles
14	4	H075715
15	1	H075716
16	2	H075720





Other side



Divide 15 (cryptonite) and 16 (ash)

**A.5.14 Placing decorative elements**  
**Kalfire GP105/59F, GP110/55C, GP115/55S**



**CAREFUL!** The decorative elements must be placed according to the instructions. It is prohibited to alter the number of decorative elements or the configuration thereof. Such alterations can lead to hazardous situations with regard to fire safety. Take the instructions into account: [Safety instructions for decorative elements on page 9](#)





11

12

13

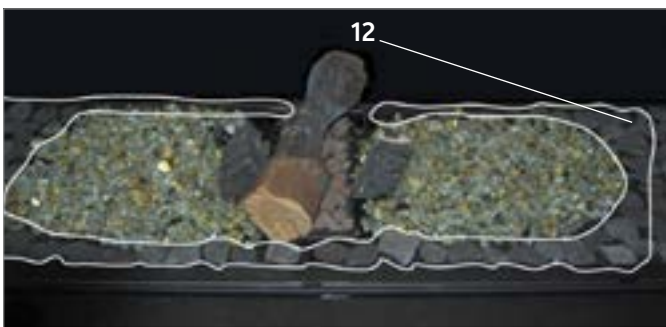
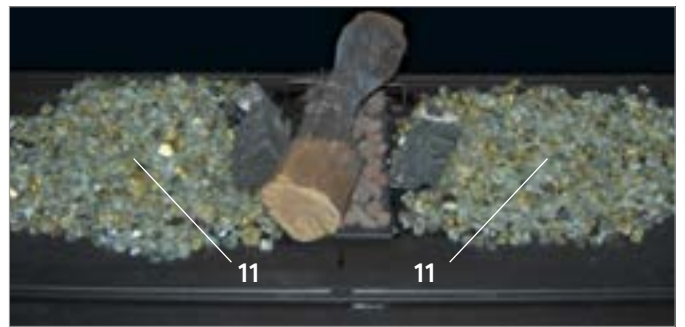
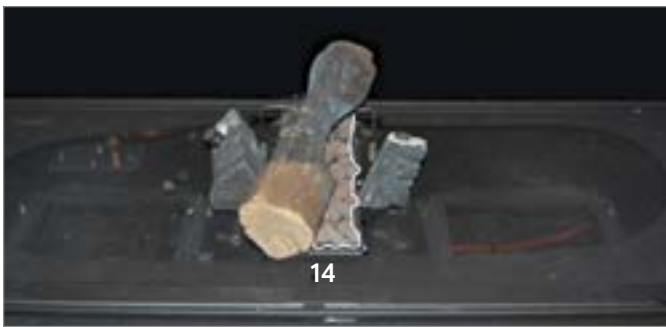
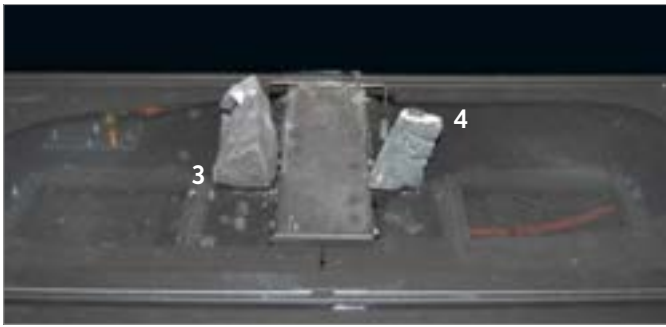


14

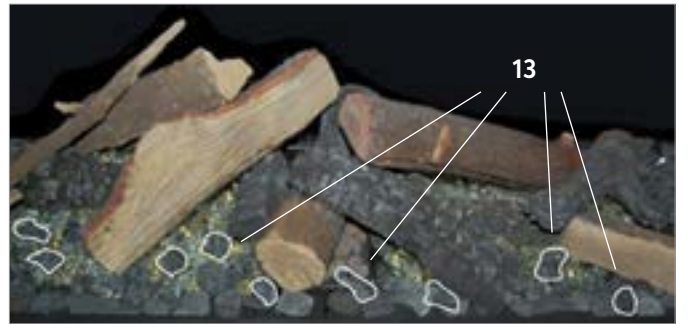
15

**Kalfire GP105/59F, GP110/55C, GP115/55S**

Number	Amount	Description	Number	Amount	Description
1.2		Logs	9	1	F060686
3	1	H075680	10	1	F060684
4	1	H075681	11		Glass pebbles
5	1	H075682	12	4	H075715
6	2	H10555680	13	1	H075716
7	1	F160680	14	1	H075714
8	1	F060687	15	2	H075720







**A.5.15 Placing decorative elements**  
**Kalfire GP105/79F, GP110/75C, GP115/75S**



**CAREFUL!** The decorative elements must be placed according to the instructions. It is prohibited to alter the number of decorative elements or the configuration thereof. Such alterations can lead to hazardous situations with regard to fire safety. Take the instructions into account: [Safety instructions for decorative elements on page 9](#)





11

12

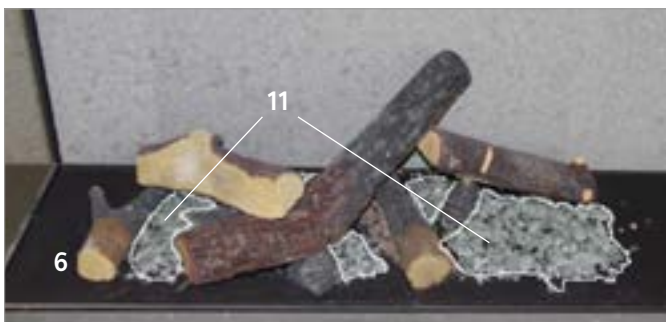
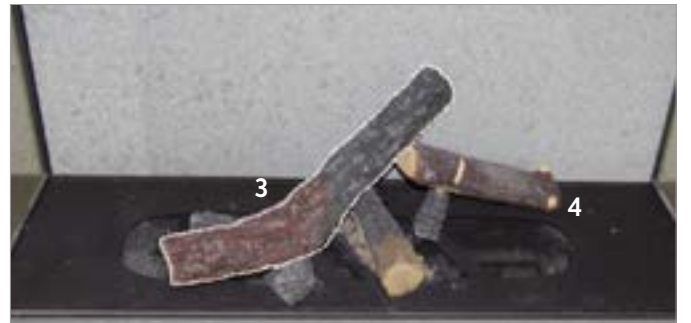
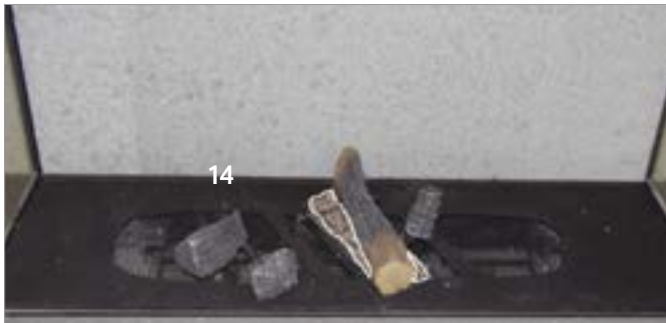
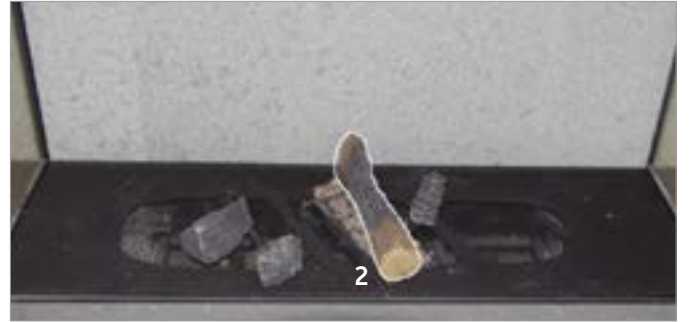
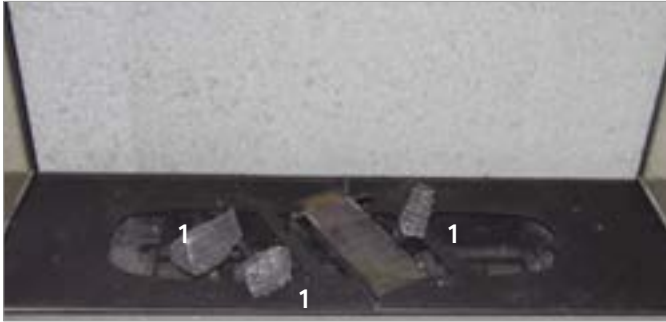
13

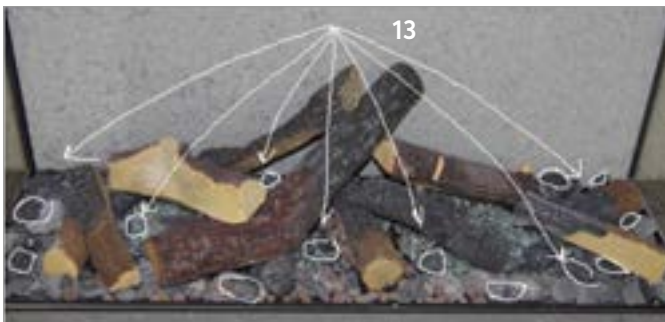
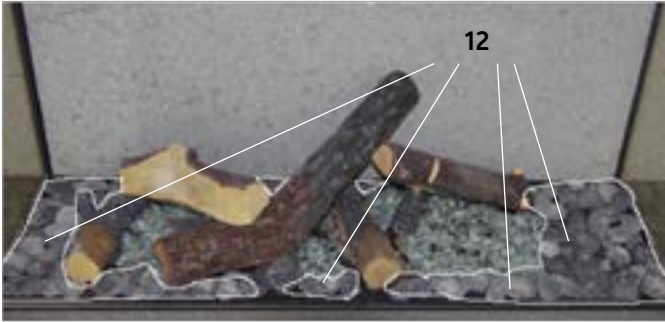


14

15

KALFIRE GP105/79F, GP110/75C, GP115/75S					
Number	Amount	Description	Number	Amount	Description
1	1	H10575676/ H075681/H075680	10	1	H10572678
2	1	H075682	11		Glass pebbles
3,4,5		Logs	12	4	H075715
6	2	F060684	13	1	H075716
7	1	F060683	14	1	H075714
8	1	H10555680	15	2	H075720
9	1	F060686			





**A.5.16 Placing decorative elements Kalfire GP110/59T, GP115/55R Kalfire GP110/79T, GP115/75R**



**CAREFUL!** The decorative elements must be placed according to the instructions. It is prohibited to alter the number of decorative elements or the configuration thereof. Such alterations can lead to hazardous situations with regard to fire safety. Take the instructions into account: [Safety instructions for decorative elements on page 9](#)



**Log set GP110/59T-GP110/79T-GP115/55R-GP115/75**

Number	Amount	Description	Number	Amount	Description
1,3,4	3	Logs	9	1	H10572678
2	1	XL log with crevice	2	1	F160680
6	1	F060684	5	5	Glass pebbles
12	1	H10575676	7	4	H075715
8	1	H10555680	13	2	H075720
10	1	F060686			

A.5.16a Placing decorative elements  
Kalfire GP110/59T, Kalfire GP110/79T

Kalfire GP115/55R  
Kalfire GP110/75R



Kalfire GP115/55R with side wall right  
Kalfire GP115/75R with side wall right







### A.5.16b Placing decorative elements

Kalfire GP115/55R with side wall left  
Kalfire GP115/75R with side wall left





A.6 Wiring diagram

Wiring diagram Natural Spark Generator in the technical unit.

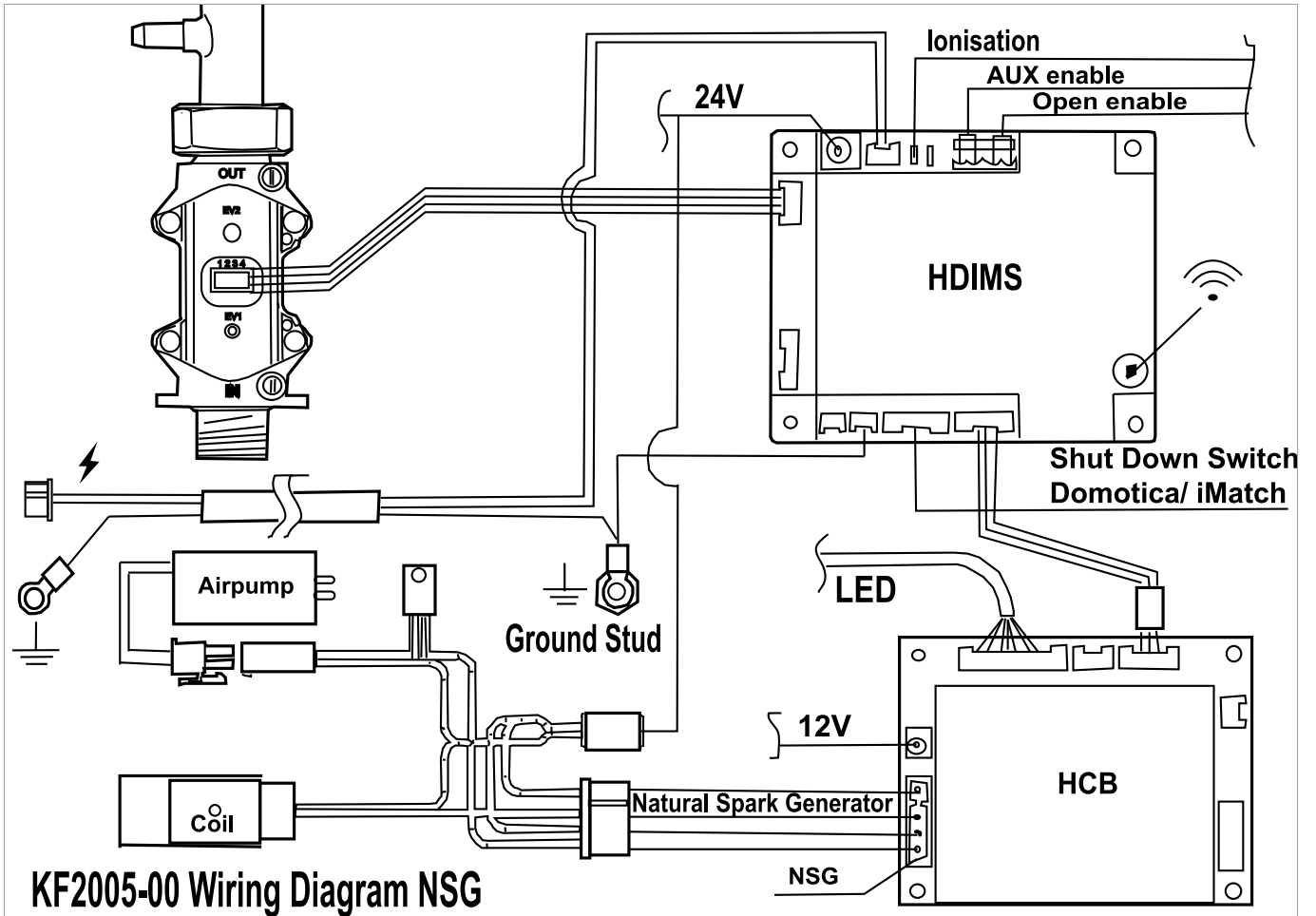


Figure 31: Wiring diagram

HCB only applicable in hybrid mode and/or Natural Spark Generator

Wiring diagram for SDS-domo cable as shut down switch.

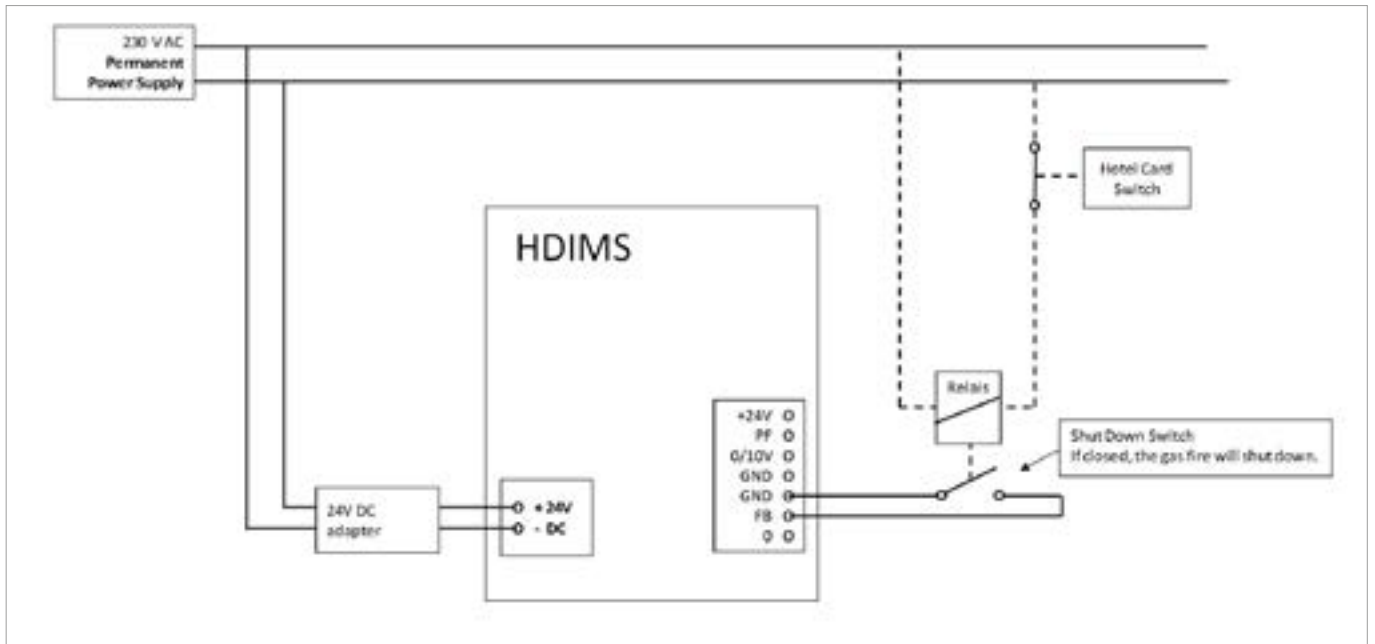


Figure 32: SDS domo cable (shut down switch)

## A.7 Technical specifications by appliance

Kalfire G60/48F, G65/44C, G70/44S												
Gas cat.	Gas type	Connection pressure	Load MAX (Hi) kw (input)	Use m <sup>3</sup> /h	Orifice Code (mm)	Injector Code (mm)	Burner pressure maximum mbar	Burner pressure minimum mbar	Power maximum kW (output)	Return on investment class	Energy efficiency class (sc)*	Energy efficiency class (lc)**
12H	G20	20 mbar	6.8	0.71	2.6	2.2	13.2	2.8	5.8	1	C	A
12E	G20	20 mbar	6.8	0.71	2.6	2.2	13.2	2.8	5.8	1	C	A
12E+	G25	25 mbar	6.8	0.71	2.6	2.2	13.2	2.8	5.8	1	C	A
	G20	20 mbar	6.8	0.71	2.6	2.2	13.2	2.8	5.8	1	C	A
I2(43.46 – 45.3 MJ/m <sup>3</sup> (0°C))//I2K	G25.3	25 mbar	7.4	0.89	3.3	2.3	20.2	3.8	6.0	1	C	A
I2ELL	G20	20 mbar	5.7	0.69	2.6	2.2	12.7	2.8	5.7	1	C	A
I2ELL	G25	20 mbar	5.75	0.70	2.2	2.2	12.7	2.8	4.8	1	C	A
13+	G30	28-30mbar 37 mbar	7.3	0.22	1.7	1.5	14.6	1.8	5.5	1	D	A
	G31									1	D	A
13B/P	G30	28-30 mbar	7.3	0.22	1.7	1.5	14.6	1.8	5.5	1	D	A
13B/P	G30	50 mbar	7.4	0.23	1.4	1.5	15	2.2	5.6	1	D	A
NOX-class: 4												

KALFIRE G80/48F, G85/44C, G90/44S												
Gas cat.	Gas type	Connection pressure	Load MAX (Hi) kw (input)	Use m <sup>3</sup> /h	Orifice Code (mm)	Injector Code (mm)	Burner pressure maximum mbar	Burner pressure minimum mbar	Power maximum kW (output)	Return on investment class	Energy efficiency class (sc)*	Energy efficiency class (lc)**
12H	G20	20 mbar	8.03	0.85	3.2	2.4	15.1	5.9	6.64	1	C	A
12E	G20	20 mbar	8.03	0.85	3.2	2.4	15.1	5.9	6.64	1	C	A
12E+	G25	25 mbar	8.03	0.85	3.2	2.4	15.1	5.9	6.64	1	C	A
	G20	20 mbar	8.03	0.85	3.2	2.4	15.1	5.9	6.64	1	C	A
I2(43.46 – 45.3 MJ/m <sup>3</sup> (0°C))//I2K	G25.3	25 mbar	8.32	1.01	3.2	2.6	18.4	3.9	6.84	1	C	A
I2ELL	G20	20 mbar	8.03	0.85	3.2	2.4	15.1	5.9	6.64	1	C	A
I2ELL	G25	20 mbar	6.95	0.84	3.2	2.4	15	6	5.78	1	D	A
13+	G30	28-30mbar 37 mbar	7.78	0.24	2	1.6	21.3	4.2	5.13	2	D	A
	G31									2	D	A
13B/P	G30	28-30 mbar	7.78	0.24	2	1.6	21.3	4.2	5.13	2	D	A
13B/P	G30	50 mbar	7.78	0.24	2	1.6	21.3	4.2	5.13	2	D	A
NOX-class: 4												

**Kalfire G100/41F, G105/37C, G110/37S**

Gas cat.	Gas type	Connection pressure	Load MAX (Hi) kw (input)	Use m <sup>3</sup> /h	Orifice Code (mm)	Injector Code (mm)	Burner pressure maximum mbar	Burner pressure minimum mbar	Power maximum kW (output)	Return on investment class	Energy efficiency class (sc)*	Energy efficiency class (lc)**
12H	G20	20 mbar	8.9	0.94	3.4	1.9	13.7	4.6	7.7	1	C	A
12E	G20	20 mbar	8.9	0.94	3.4	1.9	13.7	4.6	7.7	1	C	A
12E+	G25	25 mbar	8.9	0.94	3.4	1.9	13.7	4.6	7.7	1	C	A
	G20	20 mbar	8.9	0.94	3.4	1.9	13.7	4.6	7.7	1		A
I2(43.46 – 45.3 MJ/ m <sup>3</sup> (0°C))// I2K	G25.3	25 mbar	10.2	1.23	none	1.9	23.5	7.1	7.4	2	D	A
I2ELL	G25	20 mbar	9.2	1.14	none	1.9	18.8	7.2	6.6	2	D	A
13+	G30	28-30mbar	11.4	0.35	none	1.3	28.4	2.7	8.4	2	D	A
	G31	37 mbar		0.46			34.8	7.8			D	A
13B/P	G30	28-30 mbar	11.4	0.35	none	1.3	28.4	2.7	8.4	2	D	A
13B/P	G30	50 mbar	13.0	0.40	2.1	1.3	31.9	7.8	9.5	2	D	A

NOX-class: 4

**Kalfire G120/41F, G125/37C, G130/37S**

Gas cat.	Gas type	Connection pressure	Load MAX (Hi) kw (input)	Use m <sup>3</sup> /h	Orifice Code (mm)	Injector Code (mm)	Burner pressure maximum mbar	Burner pressure minimum mbar	Power maximum kW (output)	Return on investment class	Energy efficiency class (sc)*	Energy efficiency class (lc)**
12H	G20	20 mbar	9.8	1.03	3.4	1.9	16.5	7.5	8.3	1	C	A
12E	G20	20 mbar	9.8	1.03	3.4	1.9	16.5	7.5	8.3	1	C	A
12E+	G25	25 mbar	9.8	1.03	3.4	1.9	16.5	7.5	8.3	1	C	A
	G20	20 mbar	9.8	1.03	3.4	1.9	16.5	7.5	8.3	1	C	A
I2(43.46 – 45.3 MJ/ m <sup>3</sup> (0°C))// I2K	G25.3	25 mbar	10.2	1.22	3.5	2.1	18.1	6.3	8.8	1	C	A
I2ELL	G25	20 mbar	9.3	1.12	3.5	2.1	13.7	6.3	7.8	1	C	A
13+	G30	28-30mbar	13.0	0.41	none	1.4	28	6.1	9.9	2	C	A
	G31	37 mbar		0.55			35	11.1			C	A
13B/P	G30	28-30 mbar	13.0	0.41	none	1.4	28	6.1	9.9	2	C	A
13B/P	G30	50 mbar	13.0	0.41	2.2	1.4	28	6.1	9.9	2	D	A

NOX-class: 4

**Kalfire G160/41F, G165/37C, G170/37S**

Gas cat.	Gas type	Connection pressure	Load MAX (Hi) kw (input)	Use m <sup>3</sup> /h	Orifice Code (mm)	Injector Code (mm)	Burner pressure maximum mbar	Burner pressure minimum mbar	Power maximum kW (output)	Return on investment class	Energy efficiency class (sc)*	Energy efficiency class (lc)**
12H	G20	20 mbar	13.0	1.4	4.0	2.3	14.5	8.2	10.8	1	C	A
12E	G20	20 mbar	13.0	1.4	4.0	2.3	14.5	8.2	10.8	1	C	A
12E+	G25	25 mbar	13.0	1.4	4.0	2.3	14.5	8.2	10.8	1	C	A
	G20	20 mbar	13.0	1.4	4.0	2.3	14.5	8.2	10.8	1	C	A
I2(43.46 – 45.3 MJ/m <sup>3</sup> (0°C))//I2K	G25.3	25 mbar	12.8	1.6	4.0	2.4	17.2	5.8	10.4	1	C	A
I2ELL	G20	20 mbar	13.0	1.4	4.0	2.3	14.5	8.2	10.9	1	C	A
I2ELL	G25	20 mbar	10.7	1.1	4.0	2.4	14.5	8.0	7.8	1	C	A
13+	G30	28-30mbar	13.6	0.4	2.6	1.7	13.6	6.1	11.1	2	C	A
	G31	37 mbar		0.54				11.1		2	C	A
13B/P	G30	28-30 mbar	13.6	0.4	2.6	1.7	13.6	4.7	11.0	2	C	A
13B/P	G30	50 mbar	13.8	0.4	1.8	1.7	14.1	2.3	11.3	2	C	A

NOX-class: 4

**KALFIRE GP 60/59F, GP65/55C, GP70/55S**

Gas cat.	Gas type	Connection pressure	Load MAX (Hi) kw (input)	Use m <sup>3</sup> /h	Orifice Code (mm)	Injector Code (mm)	Burner pressure maximum mbar	Burner pressure minimum mbar	Power maximum kW (output)	Return on investment class	Energy efficiency class (sc)*	Energy efficiency class (lc)**
12H	G20	20 mbar	8.3	0.9	2.8	3x1.5 + 0.8	10.0	5.5	6.3	2	D	A
12E	G20	20 mbar	8.3	0.9	2.8	3x1.5 + 0.8	10.0	5.5	6.3	2	D	A
12E+	G25	25 mbar	8.3	0.9	2.8	3x1.5 + 0.8	10.0	5.5	6.3	2	D	A
	G20	20 mbar	8.3	0.9	2.8	3x1.5 + 0.8	10.0	5.5	6.3	2	D	A
I2(43.46 – 45.3 MJ/m <sup>3</sup> (0°C))//I2K	G25.3	25 mbar	8.3	1.0	3.6	3x1.5 + 0.8	14.5	6.8	6.3	2	D	A
I2ELL	G20	20 mbar	8.3	0.9	2.8	3x1.5 + 0.8	10.0	5.5	6.3	2	D	A
I2ELL	G25	20 mbar	6.9	0.98	3.6	3x1.5 + 0.8	11.2	6.4	4.6	2	D	A
13+	G30	28-30mbar	9.4	0.29	2.0	3x1.0 + 0.5	18.0	8.2	7.6	2	D	B
	G31	37 mbar	8.7	0.35	2.0	3x1.0 + 0.5	20.0	9.3	6.4	2	D	B
13B/P	G30	28-30 mbar	9.4	0.29	2.0	3x1.0 + 0.5	18.0	8.2	7.6	2	D	B
13B/P	G30	50 mbar	9.4	0.29	2.0	3x1.0 + 0.5	18.0	8.2	7.6	2	D	B

NOX-class: 5

**KALFIRE GP 60/79F, GP65/75C, GP70/75S**

Gas cat.	Gas type	Connection pressure	Load MAX (Hi) kw (input)	Use m <sup>3</sup> /h	Orifice Code (mm)	Injector Code (mm)	Burner pressure maximum mbar	Burner pressure minimum mbar	Power maximum kW (output)	Return on investment class	Energy efficiency class (sc)*	Energy efficiency class (lc)**
12H	G20	20 mbar	10.3	1.09	3.5	3x1.6 + 0.8	14.2	4.6	7.9	2	D	A
12E	G20	20 mbar	10.3	1.09	3.5	3x1.6 + 0.8	14.2	4.6	7.9	2	D	A
12E+	G25	25 mbar	10.3	1.09	3.5	3x1.6 + 0.8	14.2	4.6	7.9	2	D	A
	G20	20 mbar	10.3	1.09	3.5	3x1.6 + 0.8	14.2	4.6	7.9	2	D	A
I2(43.46 – 45.3 MJ/m <sup>3</sup> (0°C))//I2K	G25.3	25 mbar	10.3	1.3	3.9	3x1.6 + 0.8	19.7	4.4	7.8	2	D	A
I2ELL	G20	20 mbar	10.3	1.09	3.5	3x1.6 + 0.8	14.2	4.6	7.9	2	D	A
I2ELL	G25	20 mbar	8.7	1.07	3.5	3x1.6 + 0.8	14	4.6	6.5	2	D	A
13+	G30	28-30mbar	8.9	0.28	2.0	3x1.0 + 0.5	18.5	8.2	6.6	2	D	B
	G31	37 mbar	8.7	0.35	2.0	3x1.0 + 0.5	20.0	9.3	6.4	2	D	B
13B/P	G30	28-30 mbar	8.9	0.28	2.0	3x1.0 + 0.5	18.5	7.6	7.9	2	D	B
13B/P	G30	50 mbar	8.9	0.28	2.0	3x1.0 + 0.5	18.5	8.2	7.9	2	D	B

NOX-class: 4

**KALFIRE GP75/59F, GP80/55C, GP85/55S**

Gas cat.	Gas type	Connection pressure	Load MAX (Hi) kw (input)	Use m <sup>3</sup> /h	Orifice Code (mm)	Injector Code (mm)	Burner pressure maximum mbar	Burner pressure minimum mbar	Power maximum kW (output)	Return on investment class	Energy efficiency class (sc)*	Energy efficiency class (lc)**
12H	G20	20 mbar	10.5	1.1	3.1	2 x 1.6 + 1.75	11.9	6.1	8.7	1	C	A
12E	G20	20 mbar	10.5	1.1	3.1	2 x 1.6 + 1.75	11.9	6.1	8.7	1	C	A
12E+	G25	25 mbar	10.5	1.1	3.1	2 x 1.6 + 1.75	11.9	6.1	8.7	1	C	A
	G20	20 mbar	10.5	1.1	3.1	2 x 1.6 + 1.75	11.9	6.1	8.7	1	C	A
I2(43.46 – 45.3 MJ/m <sup>3</sup> (0°C))//I2K	G25.3	25 mbar	10.4	1.28	3.4	2 x 1.6 + 1.75	15.9	6.8	8	2	D	A
I2ELL	G20	20 mbar	10.5	1.1	3.1	2 x 1.6 + 1.75	11.9	6.1	8.7	1	D	A
I2ELL	G25	20 mbar	9.1	1.12	3.1	2 x 1.6 + 1.75	12	6.4	7.4	2	D	A
13+	G30	28-30mbar	6/7	0.21	1.7	1.2	6.9	3.2	4.3	2	D	A
	G31	37 mbar	6/7	0.21	1.7	1.2	6.9	3.2	4.3	2	D	A
13B/P	G30	28-30 mbar	6/7	0.21	1.7	1.2	5.5	3.2	4.2	2	D	A
13B/P	G30	50 mbar	7.1	0.22	1.5	1.2	5.7	3.2	4.2	2	D	A

NOX-class: 4

**KALFIRE GP80/54T, GP85/50R**

Gas cat.	Gas type	Connection pressure	Load MAX (Hi) kw (input)	Use m <sup>3</sup> /h	Orifice Code (mm)	Injector Code (mm)	Burner pressure maximum mbar	Burner pressure minimum mbar	Power maximum kW (output)	Return on investment class	Energy efficiency class (sc)*	Energy efficiency class (lc)**
12H	G20	20 mbar	10.5	1.06	3.2	3x1.6 + 0.8	12.7	9.2	7.9	2	D	A
12E	G20	20 mbar	10.5	1.06	3.2	3x1.6 + 0.8	12.7	9.2	7.9	2	D	A
12E+	G25	25 mbar	10.5	1.06	3.2	3x1.6 + 0.8	12.7	9.2	7.9	2	D	A
	G20	20 mbar	10.5	1.06	3.2	3x1.6 + 0.8	12.7	9.2	7.9	2	D	A
I2(43.46 – 45.3 MJ/m <sup>3</sup> (0°C))//I2K	G25.3	25 mbar	10.5	1.25	3.9	3x1.6 + 0.8	19.7	13.2	7.7	2	D	A
I2ELL	G20	20 mbar	10	1.06	3.2	3x1.6 + 0.8	12.7	9.2	7.9	2	D	A
I2ELL	G25	20 mbar	10	1.06	3.9	3x1.6 + 0.8	19.7	13.2	7.7	2	D	A
13+	G30	28-30mbar	6.7	0.29	2.0	3x1.0 + 0.5	17.2	6.5	6.1	2	D	B
	G31	37 mbar	8.7	0.35	2.0	3x1.0 + 0.5	17.2	9.3	6.4	2	D	B
13B/P	G30	28-30 mbar	6/7	0.29	2.0	3x1.0 + 0.5	17.2	6.5	6.1	2	D	B
13B/P	G30	50 mbar	7.1	0.29	2.0	3x1.0 + 0.5	17.2	6.5	6.1	2	D	B

NOX-class: 5



**KALFIRE GP105/59F, GP110/55C, GP115/55S**

Gas cat.	Gas type	Connection pressure	Load MAX (Hi) kw (input)	Use m <sup>3</sup> /h	Orifice Code (mm)	Injector Code (mm)	Burner pressure maximum mbar	Burner pressure minimum mbar	Power maximum kW (output)	Return on investment class	Energy efficiency class (sc)*	Energy efficiency class (lc)**
I2H	G20	20mbar	10.89	1.14	3.1	2 x 1.6 +1.75	11.9	6.3	8.89	1	C	A
I2E	G20	20mbar	10.89	1.14	3.1	2 x 1.6 +1.75	11.9	6.3	8.89	1	C	A
I2E+	G25	25mbar	10.89	1.14	3.1	2 x 1.6 +1.75	11.9	6.3	8.89	1	C	A
	G20	20mbar	10.89	1.14	3.1	2 x 1.6 +1.75	11.9	6.3	8.89	1	C	A
I2(43,46 – 45,3 MJ/m <sup>3</sup> (0°C))//I2K	G25.3	25mbar	10.4	1.27	3.4	2 x 1.6 +1.75	15.8	6.4	7.77	2	D	A
I2ELL	G20	20mbar	10.89	1.14	3.1	2 x 1.6 +1.75	11.9	6.3	8.89	1	D	A
I2ELL	G25	20mbar	8.96	1.1	3.4	2 x 1.6 +1.75	11.6	7.6	7.25	2	D	A
I3+	G30	28-30mbar	6.65	0.21	1.7	1.2	5.3	3.2	4.6	2	D	A
	G31	37 mbar										
I3B/P	G30	28-30 mbar	6.65	0.21	1.7	1.2	5.3	3.2	4.6	2	D	A
I3B/P	G30	50 mbar	6.65	0.21	1.5	1.2	5.3	3.2	4.6	2	D	A

NOX-class: 4

**KALFIRE GP105/79F, GP110/75C, GP115/75S**

Gas cat.	Gas type	Connection pressure	Load MAX (Hi) kw (input)	Use m <sup>3</sup> /h	Orifice Code (mm)	Injector Code (mm)	Burner pressure maximum mbar	Burner pressure minimum mbar	Power maximum kW (output)	Return on investment class	Energy efficiency class (sc)*	Energy efficiency class (lc)**
I2H	G20	20mbar	13.9	1.47	3.9	2x1.6 + 1.75 +1.8	12.8	9.5	10.7	1	C	A
I2E	G20	20mbar	13.9	1.47	3.9	2x1.6 + 1.75 +1.8	12.8	9.5	10.7	1	C	A
I2E+	G25	25mbar	13.9	1.47	3.9	2x1.6 + 1.75 +1.8	12.8	9.5	10.7	1	C	A
	G20	20mbar										
I2(43,46 – 45,3 MJ/m <sup>3</sup> (0°C))//I2K	G25.3	25mbar	12.8	1.6	3.9	2x1.6 + 1.75 +1.8	14.6	11.2	10.5	1	C	A
I2ELL	G20	20mbar	13.9	1.47	3.9	2x1.6 + 1.75 +1.8	12.8	9.5	10.7	1	C	A
I2ELL	G25	20mbar	12.4	1.5	3.9	2x1.6 + 1.75 +1.8	14.8	11.8	9.9	2	C	A

NOX-class: 5

**KALFIRE GP110/59T, GP115/55R**

Gas cat.	Gas type	Connection pressure	Load MAX (Hi) kw (input)	Use m <sup>3</sup> /h	Orifice Code (mm)	Injector Code (mm)	Burner pressure maximum mbar	Burner pressure minimum mbar	Power maximum kW (output)	Return on investment class	Energy efficiency class (sc)*	Energy efficiency class (lc)**
I2H	G20	20 mbar	13.4	1.4	-	2x1.6+ 0.8 +1.7	19.0	8.0	9.4	2	D	B
I2E	G20	20 mbar	13.4	1.4	-	2x1.6+ 0.8 +1.7	19.0	8.0	9.4	2	D	B
I2E+	G25	25 mbar	12.9	1.53	-	2x1.6+ 0.8 +1.7	24	10.5	9.0	2	D	B
	G20	20 mbar	13.4	1.4								
I2(43.46 – 45.3 MJ/m <sup>3</sup> (0°C))//I2K	G25.3	25 mbar	12.9	1.53	-	2x1.6+ 0.8 +1.7	24.0	10.5	9.0	2	D	B
I2ELL	G20	20 mbar	13.4	1.4	-	2x1.6+ 0.8 +1.7	19.0	8,0	9.4	2	D	B
I2ELL	G25	20 mbar	11.0	1.35	-	2x1.6+ 0.8 +1.7	19.2	10.7	7.4	2	D	B
I3+	G30	28-30mbar	11.8	0.36	-	3x1.0 + 0.5	28.9	9.3	8.2	2	D	B
	G31	37 mbar	11.8	0.36								
I3B/P	G30	28-30 mbar	11.8	0.36	-	3x1.0 + 0.5	28.9	9.3	8.2	2	D	B
I3B/P	G30	50 mbar	11.8	0.36	2.0	3x1.0 + 0.5	29.0	9.3	8.2	2	D	B

NOX-class: 5

KALFIRE GP110/79T, GP115/75R

Gas cat.	Gas type	Connection pressure	Load MAX (Hi) kw (input)	Use m <sup>3</sup> /h	Orifice Code (mm)	Injector Code (mm)	Burner pressure maximum mbar	Burner pressure minimum mbar	Power maximum kW (output)	Return on investment class	Energy efficiency class (sc)*	Energy efficiency class (lc)**
I2H	G20	20 mbar	13.8	1.4	-	2x1.6 + 0.8 1x1.7	19.0	9.0	10.0	2	D	B
I2E	G20	20 mbar	13.8	1.4	-	2x1.6 + 0.8 1x1.7	19.0	9.0	10.0	2	D	B
I2E+	G25 G20	25 mbar 20 mbar	13.8	1.4	-	2x1.6 + 0.8 1x1.7	19.0	9.0	10.0	2	D	B
I2(43,46 – 45,3 MJ/m <sup>3</sup> (0°C))//I2K	G25.3	25 mbar	13.0	1.58	-	2x1.6 + 0.8 1x1.7	24.0	12.0	9.6	2	D	B
I2ELL	G20	20 mbar	13.8	1.4	-	2x1.6 + 0.8 1x1.7	19.0	9.0	10.0	2	D	B
I2ELL	G25	20 mbar	11.3	1.4	-	2x1.6 + 0.8 1x1.7	19.0	12.7	8.0	2	D	B
I3+	G30	28-30 mbar	12.0	0.37	-	3x1.0 + 0.5	28.9	10.0	8.6	2	D	B
	G31	37 mbar	12.0	0.37	-	3x1.0 + 0.5	35.0	10.0	8.6	2	D	B
I3B/P	G30	28-30 mbar	12.0	0.37	-	3x1.0 + 0.5	28.9	10.0	8.6	2	D	B
I3B/P	G30	50 mbar	12.0	0.37	2.0	3x1.0 + 0.5	30.3	9.4	10.7	2	D	B

NOX-klasse: 5

\* Energy efficiency class (sc): the energy efficiency class is determined based on inspection values in line with EN613, measured quickly with a short configuration (see configuration 1, pagina 35).

\*\* Energy efficiency class (lc): the energy efficiency class determined based on values measured with a long configuration (see configuration 2, pagina 35).

Country overview

			AT	BE	BG	CH	CY	CZ	DE	DK	EE	EL	ES	FI	FR	GB	HU	IE	IT	LB	LT	LU	LV	MT	NL	NO	NZ	PL	PT	RO	RU	SE	SI	SK	TN	UA	
I2H	G20	20 mbar	√		√	√	√	√		√	√	√	√	√	√	√	√	√	√	√	√	√	√	√	√	√	√	√	√	√	√	√	√	√	√	√	
I2E	G20	20 mbar						√														√				√											
I2E+	G25	25 mbar	√												√					√	√		√												√	√	
	G20	20 mbar	√												√					√	√		√												√	√	
I2(43,46 – 45,3 MJ/m <sup>3</sup> (0°C))//I2K	G25.3	25 mbar	√																						√	√											
I2ELL	G25 G20	20 mbar 20 mbar							√																												
I2L																									√	√											
I3+	G30	28-30 mbar	√		√							√	√		√	√			√	√	√	√	√	√					√	√					√	√	
	G31	37 mbar																																			
I3B/P	G30	28-30 mbar		√		√	√		√	√	√		√							√					√	√	√	√	√	√	√	√	√	√	√	√	√
I3B/P	G30	50 mbar	√		√			√									√					√															

**A.8 Certificate of compliance:**

**Kalfire B.V.**  
**Geloërveldweg 21**  
**NL – 5951 DH, Belfeld**

Certifies that the following Kalfire appliances, model gas fire:

Kalfire GP60/59F, GP65/55C, GP70/55S,  
Kalfire GP60/79F, GP65/75C, GP70/75S  
Kalfire GP75/55F, GP80/55C, GP85/55S,  
Kalfire GP80/54T, GP85/50R  
Kalfire GP105/59F, GP110/55C, GP115/55S,  
Kalfire GP105/79F, GP110/75C, GP115/75S  
Kalfire GP110/59T, GP115/55R  
Kalfire GP110/79T, GP115/75R  
Kalfire G60/48F, G65/44C, G70/44S,  
Kalfire G80/48F, G85/55C, G90/55S,  
Kalfire G100/41F, G105/37C, G110/37S,  
Kalfire G120/41F, G125/37C, G130/37S  
Kalfire G160/41F, G165/37C, G170/37S

comply with the appliances as described in EN613  
and are in accordance with the applicable fundamental provisions of regulation EU 2016/426.

Date: 15 September 2019



Beijko van Melick MSc  
Managing Director  
Kalfire BV

A.9 Attestation of Conformity remote control:

## Dichiarazione UE di Conformità

EU Declaration of Conformity / Déclaration UE de Conformité

**La presente dichiarazione di conformità è rilasciata sotto la responsabilità esclusiva del fabbricante:**  
 This declaration of conformity is issued under the sole responsibility of the manufacturer:  
 La présente déclaration de conformité est établie sous la seule responsabilité du fabricant :

Nome azienda Company name / Nom de l'entreprise	Bertelli & Partners s.r.l.
Indirizzo postale Postal address / Adresse postale	Viale Europa 188/270
CAP, città, nazione Postcode, city, country / Code postal, ville, nation	37050 Angiari (VR) - IT
Altri riferimenti Other references / Autres références	www.bertelli-partners.it

**E riguarda il seguente prodotto:** / And belong to the following product: / Et il concerne le produit suivant:

Tipo, Modello Type, model / Type, modèle	<b>RFRC05.xx</b>
Descrizione Description / Description	Controllo remoto per caminetto con interfaccia RF Fireplace remote control with RF interface / télécommande pour cheminée avec interface RF

**L'oggetto della dichiarazione di cui sopra è conforme alla pertinente normativa di armonizzazione dell'Unione:**

The object of the above declaration is in conformity with the relevant Union harmonization legislation:  
 L'objet de la déclaration décrit ci-dessus est conforme à la législation d'harmonisation de l'Union applicable:

2014/53/UE (RED)	2011/65/UE (RoHS)
---	---
---	---

**Le seguenti norme armonizzate e/o specifiche tecniche sono state applicate:**

The following harmonized standards and/or technical specifications have been applied:  
 Les normes harmonisées et / ou spécifications techniques suivantes ont été appliquées:

ETSI EN 301 489-3 V1.6.1 (2013-08)	---
FD ETSI EN 301 489-3 V2.1.1 (2017-03)	---
ETSI EN 300 220-2 V3.1.1 (2017-02)	---
---	---
---	---

**Riferimento Organismo Notificato e Certificato (se applicabile):**

Reference of Notified Body and Certificate (where applicable) / Référence de l'Organisme Notifié et Attestation (si applicable)

Nome / Name / Nom	ID
---	---
Numero Certificato / Certificate number / Numéro de l'Attestation	---

**Informazioni aggiuntive:**

Additional information: / Informations complémentaires:

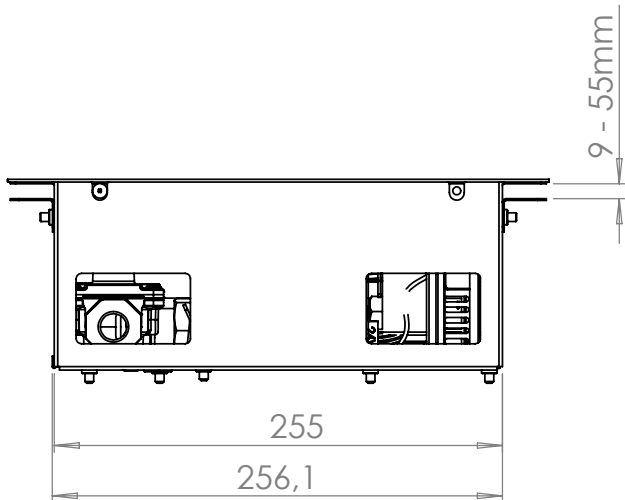
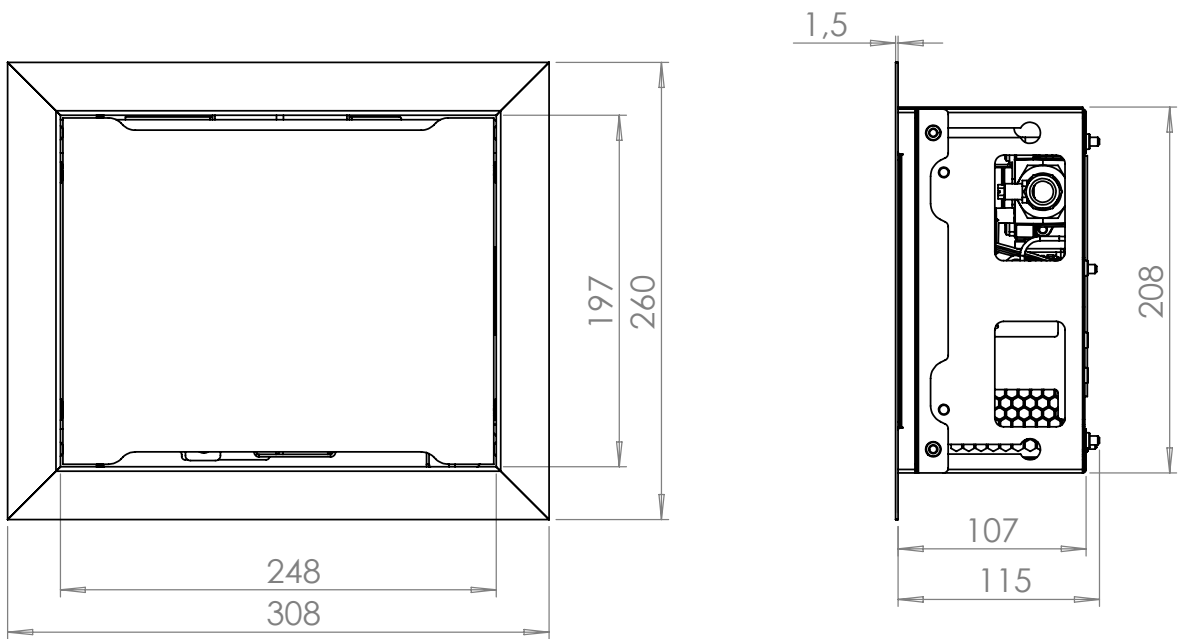
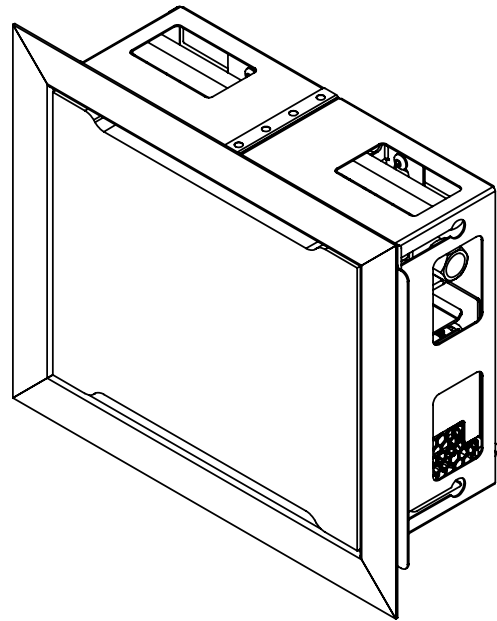
---

Angiari, 19/01/2019

Bertelli Pierluigi  
 Amministratore unico / CEO

RP-ISO-042 Rev. 02

A.10 Drawing Technical Unit

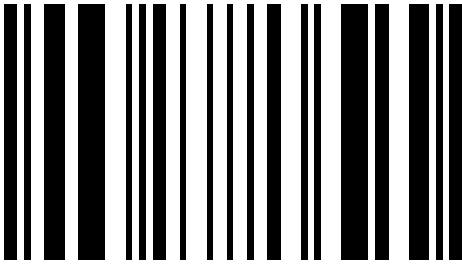






**KALFIRE**  
FIREPLACES

Geloërveldweg 21  
5951 DH Belfeld  
info@kal-fire.nl  
**KALFIRE.COM**



621003

DON'T COMPROMISE.