

# MAJA-S EcoDesign

# PANADERO

## MEASURES

DIMENSIONS H x W x D	854x796x470 mm
GROSS/NET WEIGHT	157/142 kg
FIREWOOD ENTRANCE	620x286 mm
SMOKE FLUE	Ø 150-153 mm Top

## CHARACTERISTICS

CAST IRON GRILL	
PANORAMIC VISION	
STEEL BODY SHEET	5 mm
NOMINAL HEAT OUTPUT	7 KW
EFFICIENCY	80,7%
CO EMISSIONS	0,10%
HEAT RESISTANT PAINT	800°C
CERAMIC GLASS HEAT RESISTANCE	750°C

EAN 8426964184006

REF. PANADERO 18400

## PRODUCT PLUS

### ECODESIGN



EXTERNAL AIR INTAKE



VERMICULITE LINING



PRINTED GLASS



WOOD LOGS 60 CM



HEATING VOLUME



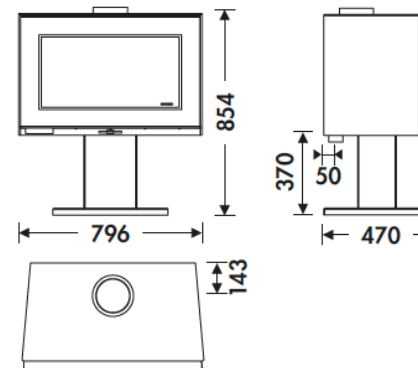
TRIPLE COMBUSTION



CLEAN GLASS SYSTEM



DOUBLE LOCK



Art. 15a B-VG



BImSchV2



flamme VERTE

Le label du chauffage au bois

7 ★



MAJA-S EN