

OSAKA

EcoDesign

PANADERO



MEASURES

DIMENSIONS H x W x D	1205x514x460 mm
GROSS/NET WEIGHT	129/123 kg
FIREWOOD ENTRANCE	310x565 mm
SMOKE FLUE	Ø 150-153 mm Top

CHARACTERISTICS

CAST IRON GRILL	
STEEL BODY SHEET	5 mm
NOMINAL HEAT OUTPUT	8 KW
EFFICIENCY	78 %
CO EMISSIONS	0,10 %
HEAT RESISTANT PAINT	800°C
CERAMIC GLASS HEAT RESISTANCE	750°C

EAN 8426964183504
REF. PANADERO 18350

PRODUCT PLUS

ECODESIGN



EXTERNAL AIR INTAKE



VERMICULITE LINING



WOOD LOGS 50 CM



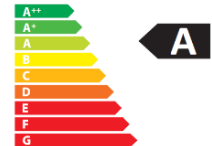
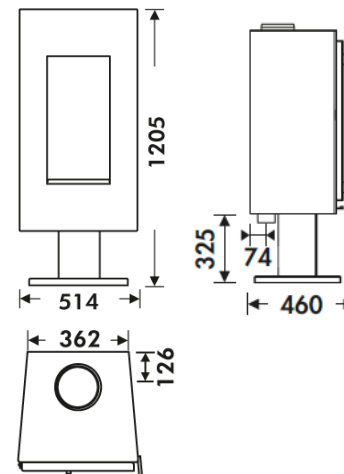
HEATING VOLUME



CLEAN GLASS SYSTEM



DOUBLE COMBUSTION



Art. 15a B-VG

BImSchV2



OSAKA EN