



Closed 
gas fires



Don't compromise

At Kalfire, we accept nothing but the best. The closed gas fires that we have been developing since 1981 are the result of this constant quest for perfection in design, technology and performance – indeed in every aspect of what we do. We are frequently singled out for introducing innovative technology and cutting-edge style. Our patented innovations such as the Prestige gas burner and the Natural Spark Generator (NSG) succeed in simulating a real wood fire to an astounding degree. When compared to open wood-burning fires, Kalfire gas fires rise to the challenge like no others.

We hope this brochure will inspire as well as inform you about our models. As you will see, the possibilities are limitless to create a fire that reflects your individuality and your taste. The range of options we offer will allow you to design the gas fire that best enhances your home's interior and meets your needs. Our Kalfire distributors are there to help guide you in your choices, but the final decision is always yours. Be true to yourself, and never compromise. We don't.

Beijko van Melick
Kalfire Managing Director

Cornerstones

Our products, our services and our business culture rest on five key values. Everything we do and everything we design is based on these five fundamental concepts, which allow us to stay ahead and retain our position as market leader.

The experience of something exceptional is one of the main reasons to choose a fireplace. A natural fire is a proven source of relaxation. Kalfire gas fires are internationally reputed for their incredibly realistic play of flames.

Individuality means having the widest choice and the most design freedom possible. As a fire takes pride of place in your living area, it needs to fit your unique requirements and personal taste – you shouldn't have to compromise.

Ease of use is a key factor in taking pleasure in something. Our fires are designed to be intuitive to use and extremely easy to clean.

Durability & sustainability go without saying. Our gas and wood-burning fires are equipped with innovative combustion technology that is not only durable, but environmental and economical.

Expertise is imperative for us and for our network of distributors, who we have carefully chosen and trained. Our product designers work ceaselessly to offer you pure innovation and cutting-edge performance. We are proud to be the market leader and all our efforts are focused on staying there.



Contents

Foreword by Beijko van Melick	5
Cornerstones	6

EXPERIENCE

A fire that creates atmosphere, whatever the season	9
An impressively realistic play of flames	10
Realistic sparks with the Natural Spark Generator	13
A simulated bed of embers	13
An optimal view of the fire	15

INDIVIDUALITY

A gas fire personalized to your taste	16
2,000 variations of style and comfort	19
Seamless integration	21
Types of interior	23

EASE OF USE

Control at the touch of a button	24
The iMatch app	26
Ease of maintenance	29

DURABILITY & SUSTAINABILITY

A 40% reduction in gas consumption	30
Optimal and clean performance	33

EXPERTISE

Often imitated, never equalled	34
Kalfire distributors share our passion	35

Colophon

This brochure was produced by Kalfire BV.
Design: Orange Design, Asten-Heusden
Photos: Zebra fotostudio's, Venlo
Interior furnishings: Berden Meubelen, Venlo

PRODUCT RANGE 36

Front model: adapts to any interior

<i>GP range:</i> KALFIRE GP60/59F	42
KALFIRE GP60/79F	44
KALFIRE GP75/59F	46
KALFIRE GP105/59F	48
KALFIRE GP105/79F	50
<i>G range:</i> KALFIRE G60/48F	52
KALFIRE G80/48F	54
KALFIRE G100/41F	56
KALFIRE G120/41F	58
KALFIRE G160/41F	60

Corner model: a view from two angles

<i>GP range:</i> KALFIRE GP65/55C	64
KALFIRE GP65/75C	66
KALFIRE GP80/55C	68
KALFIRE GP110/55C	70
KALFIRE GP110/75C	72
<i>G range:</i> KALFIRE G65/44C	74
KALFIRE G85/44C	76
KALFIRE G105/37C	78
KALFIRE G125/37C	80
KALFIRE G165/37C	82

Three-sided model: maximum visibility of the fire

<i>GP range:</i> KALFIRE GP70/55S	84
KALFIRE GP70/75S	86
KALFIRE GP85/55S	88
KALFIRE GP115/55S	90
KALFIRE GP115/75S	92
<i>G range:</i> KALFIRE G70/44S	94
KALFIRE G90/44S	96
KALFIRE G110/37S	98
KALFIRE G130/37S	100
KALFIRE G170/37S	102

Room divider and tunnel model: a convivial way to divide a room

<i>GP range:</i> KALFIRE GP80/54T	104
KALFIRE GP85/50R	106
KALFIRE GP110/59T	108
KALFIRE GP115/55R	110
KALFIRE GP110/79T	112
KALFIRE GP115/75R	114

Product overview	116
Dimensional drawings	118



A fire that creates atmosphere, whatever the season

A burning fire in a fireplace typically evokes a cold winter's day. Traditionally, fireplaces have been viewed mainly as a source of heat, but today their use is more commonly to create a convivial atmosphere in an interior. Kalfire closed gas fires are often used principally in this way. There is nothing more soothing than a softly crackling fire burning in the hearth, and nothing more relaxing than gazing into the flames. The presence of a fireplace or a contemporary gas fire makes a space more convivial, even in the summer.

The size or style of a room is not an obstacle – our closed gas fires are suitable for any type of interior. We design our models with perfection in mind and never compromise on quality or style.

EXPERIENCE



An impressively realistic play of flames

Choose your fire

What would work better in your living space, a high blazing fire or a long bed of flames? Kalfire has developed innovative burners adapted to either situation.

Prestige burner (Kalfire GP-range)

The patented Prestige burner is integrated directly within highly realistic ceramic logs, which are stacked in a pyramid. This results in high, blazing flames that leap directly from the logs, giving an unparalleled impression of a wood fire.

3D burner (Kalfire G-range)

Like the Prestige burner, this innovation was designed and developed by Kalfire. It allows an elongated, horizontal fireplace (up to 170 cm in width) that suits contemporary interiors perfectly. A closed gas fireplace equipped with a 3D burner produces flames that are virtually indistinguishable from those of a wood fire. Fireplaces with a 3D burner are supplied with a ceramic log set as standard, but it is also possible to choose an exclusive log set or a bed of white, beige or grey stones or cryptonite.

Prestige burner



3D burner





Realistic sparks with the **Natural Spark Generator**

Kalfire is constantly striving for innovation and seeking perfection. Our patented designs have allowed us to take closed gas fires to another level, making us a benchmark in the market. One of the latest innovations developed by our R&D team is the **Natural Spark Generator (NSG)**. This technology is available as an option in all our gas fires that feature a Prestige burner. The Natural Spark Generator creates small sparks that escape from the flames and burn out slowly, resulting in an amazingly realistic simulation of a wood fire.

A simulated bed of embers

As an option in our closed gas fires with a Prestige burner, a hybrid function can be added to include **LED lighting** in the fire bed. When this function is activated, the lighting intensity fluctuates continuously, perfectly imitating a bed of embers in a wood-burning fireplace. The lighting has three different programmes that can be configured as desired.

A further advantage of this feature is that it allows a convivial atmosphere to be created during warmer periods when heat is not required, without having to switch on the fire itself. This is another example of how Kalfire fires are designed to improve your living space all year round. Even when it is not providing heat, your fire can emanate the warmth of a real fire with its realistic logs and bed of embers created with LED lighting.





KALFIRE GP105/79F with brick-effect interior

An optimal view of the fire



Kalfire's closed gas fires stand out for their clean, streamlined design, free of a distracting metal frame around the glass. This offers a clear view of the fire from all angles.



A gas fire personalized to your taste

A gas fire is an important feature of your living area. It is both an object of design as well as a creator of atmosphere – particularly if it is able to realistically create the illusion of an open wood fire. Have you just bought a new home or perhaps are renovating your current home? Is an architect helping you design or choose a gas fire or do you have your own ideas? Kalfire offers lots of options to personalize each gas fire to your taste.





2,000 variations of style and comfort



Front model - KALFIRE G60/48F



Corner model - KALFIRE G105/37C



3-sided model - KALFIRE G90/44S



Room divider - KALFIRE GP85/50R

We offer a wide selection of latest-generation closed gas fire models in a range of sizes. In all, no less than 2,000 variations of these models can be created. And thanks to our focus on innovation, the number of possibilities we provide is continually increasing.

The first decision is to choose the basic format of your gas fire: a front-facing model, a corner model, a three-sided model, or a double-sided tunnel or room-dividing model. From there, we offer a wide range of options that allow you to give a personal touch to your choice. Based on your taste and specific preferences, a Kalfire distributor can explain the type of burner (3D or Prestige burner) in the different models, and the various options you can choose for the frame, the rear panel, the hearth furnishings, and more. In this way, step by step you can design a unique fire that corresponds exactly to your wishes.





KALFIRE GP110/75C

Seamless integration



Our closed gas fires blend in perfectly in any interior and offer an optimal view of the flames. The hearth that extends from the fire, often in stone, extends all the way to the frameless glass panel. The interior side panels extend seamlessly to the wall surrounding the fire. You can also opt for a rear panel that extends outside of the fire. In this case, no metallic frame is visible. This results in a fire with clean, minimalist lines that blends seamlessly into the surroundings, enhancing the impression of an open fireplace.





Types of interior



Flat (1 piece) (front model, tunnel model, room divider)



Flat (3-sections) (corner model, 3-sided model)



Black ceramic glass



Design (ridged surface)

The interior of a fireplace is a key element of its style, impacting its appearance even when it is not in use. As a backdrop to the fire, it can provide contrast or even reflect and amplify the play of flames. Kalfire closed gas fires offer a choice of three different types of interior: the standard is a minimalist interior with a flat surface; alternatively, as an option you can choose black ceramic glass or a ridged design.



Brick effect: rear panel, hearth step and vertical passepartouts* (GP105/79F, GP75/59F)



Boom brickwork effect: rear panel, hearth step and vertical passepartouts (GP75/59F)

Besides these three standard interiors, several special interiors are available for specific products:

- Brick effect: rear panel, hearth step and vertical passepartouts* (GP105/79F, GP75/59F)
- Boom brickwork effect: rear panel, hearth step and vertical passepartouts GP75/59F (See page 46)

*only for GP75/59F



Control at the touch of a button

The **iMatch remote control** supplied as standard with every model allows you to control your gas fire with ease. At the touch of a button you can turn the fire on or off or adjust the flame height. There are eight standard settings, plus a special ECO setting; this energy-saving setting automatically makes the flame level fluctuate, which considerably reduces gas consumption.

KALFIRE GP70/75S with NSG



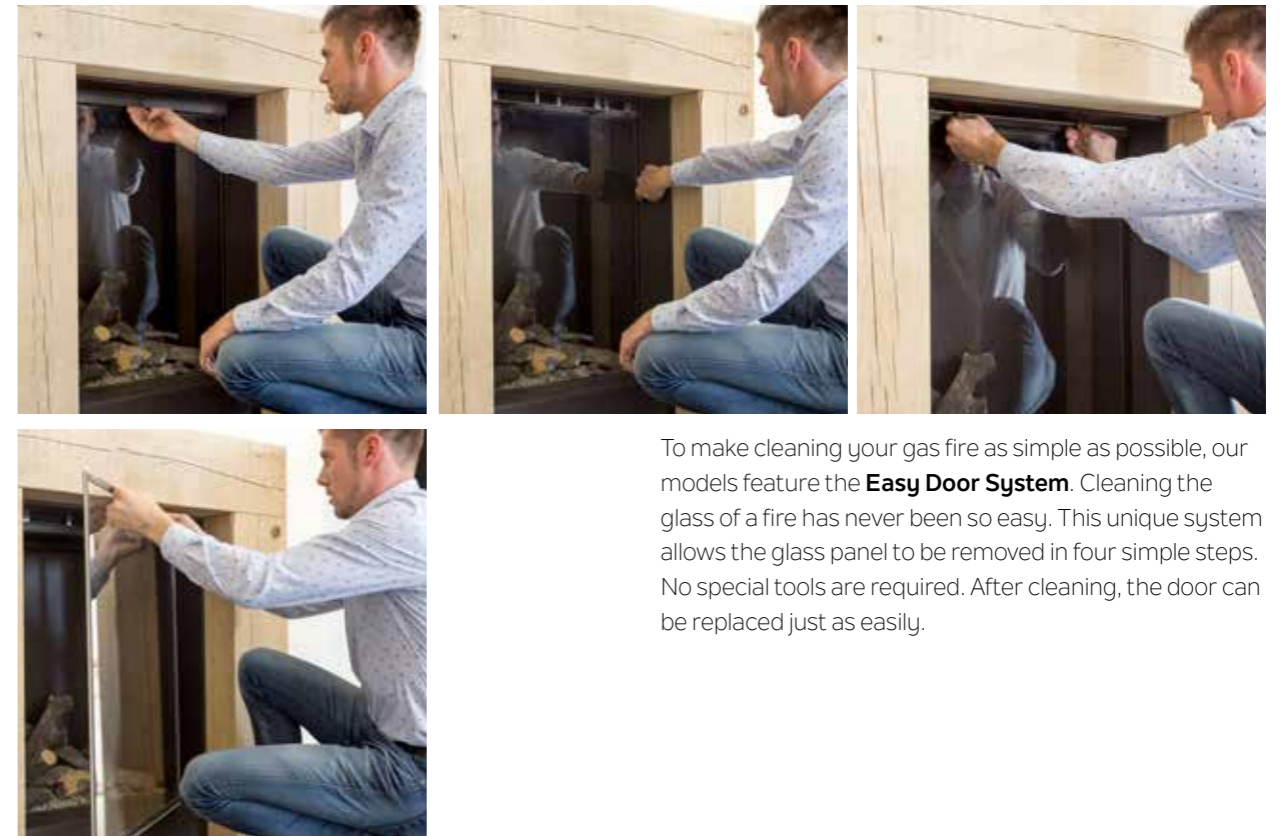
The iMatch app

Our gas fires also have the option of including a receiver that works in tandem with a special Kalfire application that can be downloaded free from online Apple or Google (Android) app stores. This allows you to control your gas fire from your **smartphone or tablet**. If your home has a home automation (domotics) system, control of your gas fire can be integrated in this.





Easy Door System



To make cleaning your gas fire as simple as possible, our models feature the **Easy Door System**. Cleaning the glass of a fire has never been so easy. This unique system allows the glass panel to be removed in four simple steps. No special tools are required. After cleaning, the door can be replaced just as easily.





A 40% reduction in gas consumption

For years, Kalfire has been a benchmark in sustainable energy by virtue of its fires' low energy consumption. The ECO setting is a prime example. In addition to the eight standard flame height settings, our fires include a ninth, energy-saving option. When the ECO setting is selected on the iMatch remote control or the iMatch app, an electronically operated valve alternately increases and reduces the gas supply to the fire following a sine wave pattern. This creates the appearance of naturally fluctuating flames as in a wood-burning fire.

This continuous variation in flame play is not only aesthetic, it also significantly decreases the amount of gas consumed – a reduction of up to 40% compared to the highest setting. Our closed gas fires are not just renowned for their contemporary style; they have exceptional performance, complying with the most recent and demanding standards. Kalfire technology gives you the guarantee of a gas fire that is environmentally sustainable, durable and economical.





Optimal and clean performance



During the periodic maintenance visits for your Kalfire gas fire, the installer will check that the flue is functioning correctly and that the combustion of your fire is optimal. During this check, the installer can benefit from the patented measuring points integrated in all our gas fires. These measuring points enable the concentrations of O₂ (fresh air) and CO (smoke) to be easily read. The first value provides information on how the flue is functioning and the second on the quality of combustion. Any malfunctions in the flue can thus be quickly detected, ensuring that the gas fire continues to operate optimally and resulting in environmentally sound performance for many years.



Often imitated, never equalled

Kalfire gas fires are designed and made by our own teams. Our R&D department uses a process of continuous innovation, rapidly developing new ideas and bringing them to market after thorough testing. Many of our groundbreaking innovations have been imitated, but they have never been equalled. It is not by chance that we hold a diverse range of patents for cutting-edge technology such as the Prestige burner and the Natural Spark Generator (NSG).

The colour, glow and height of the flames of our gas fires make them virtually impossible to distinguish from those of a wood-burning fire. This achievement is due to the ceaseless work of our R&D team, which has succeeded in creating such a realistic play of flames through its unerring attention to detail. We design the best closed gas fires on the market – with no compromise.

Kalfire distributors share our passion

Our gas fires are available exclusively from our network of distributors, who have been selected with the utmost care. Meticulously trained by Kalfire, they know every aspect of our products down to the smallest detail and share our passion and expertise.

Only a certified Kalfire distributor can install our built-in fires correctly and safely. This will ensure that the fire performs optimally and respects all warranty and safety requirements. Your Kalfire distributor can also help you create the gas fire that meets all your requirements and bears the mark of your individual style. This is our guarantee.



Product range



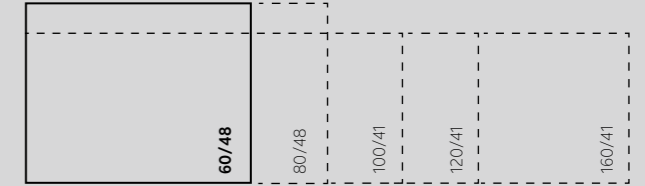
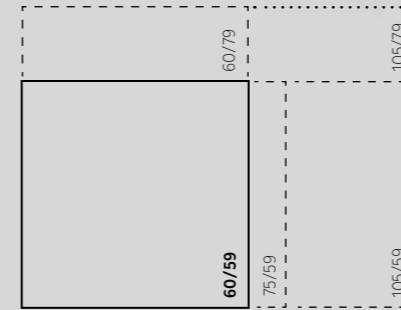
Glass sizes: gas fires with Prestige burner (GP range)



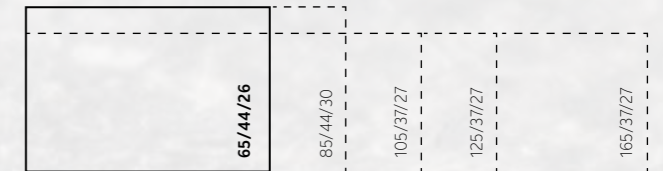
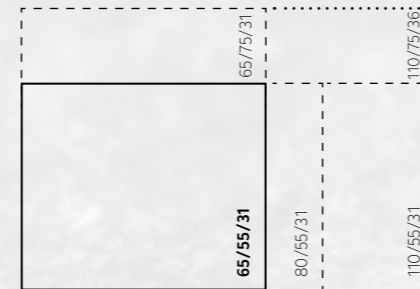
Glass sizes: gas fires with 3D burner (G range)



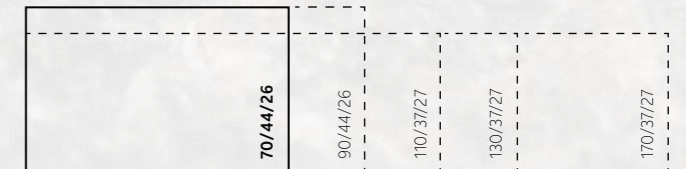
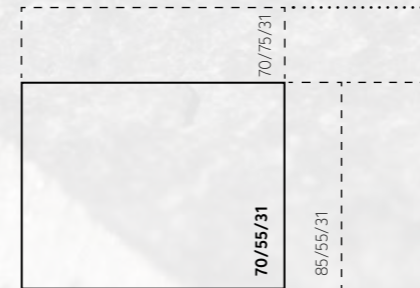
Front model



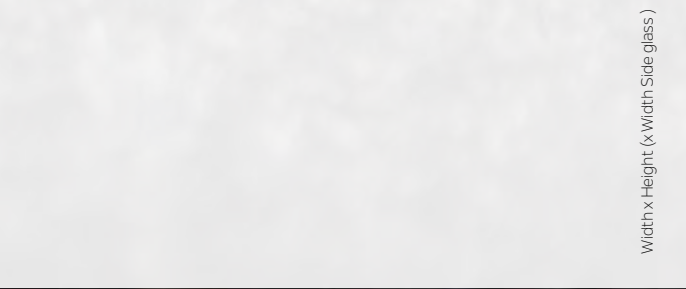
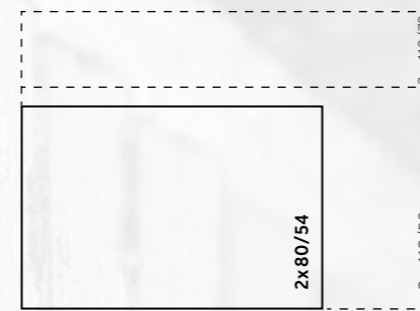
Corner model



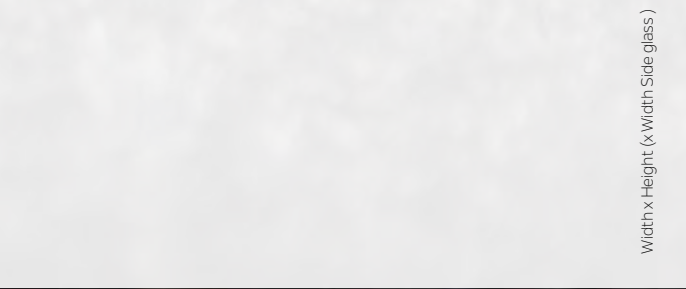
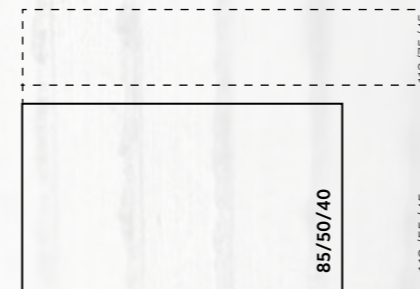
3-sided model



Tunnel model



Room divider model



Width x Height (x Width Side glass)

Width x Height (x Width Side glass)





Kalfire gas fireplaces can also be used with propane/bio-propane

All Kalfire gas fireplaces can be connected to a natural gas supply. In situations in which natural gas is not available, propane or bio-propane offer an excellent solution. Almost all Kalfire gas fireplaces can be easily connected to this clean, environmentally friendly energy source. In the following pages, icons indicate the types of fuel that can be used with each fireplace.



natural gas



propane

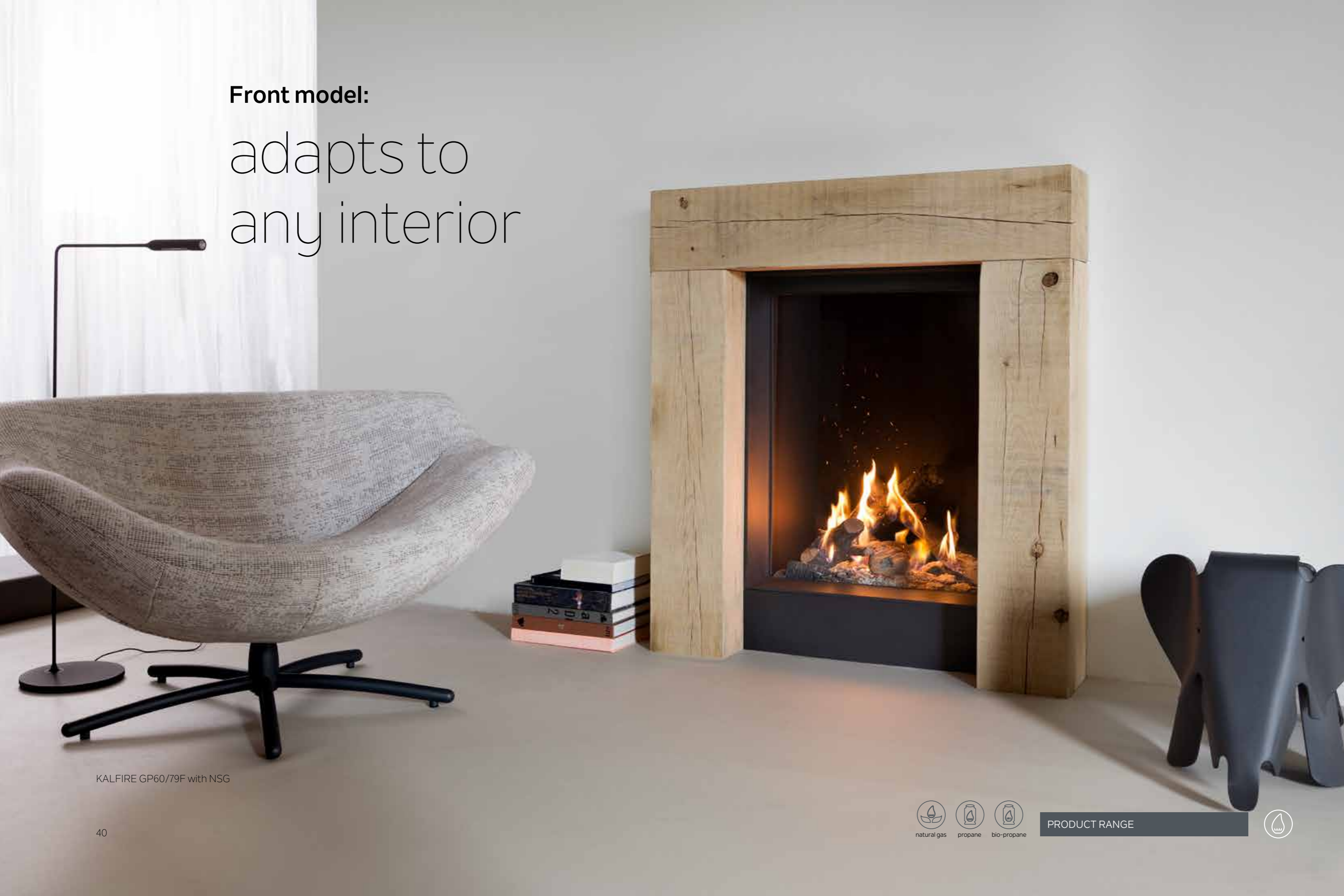


bio-propane

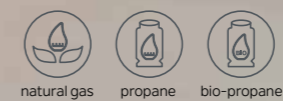


Front model:

adapts to
any interior



KALFIRE GP60/79F with NSG



natural gas

propane

bio-propane

PRODUCT RANGE



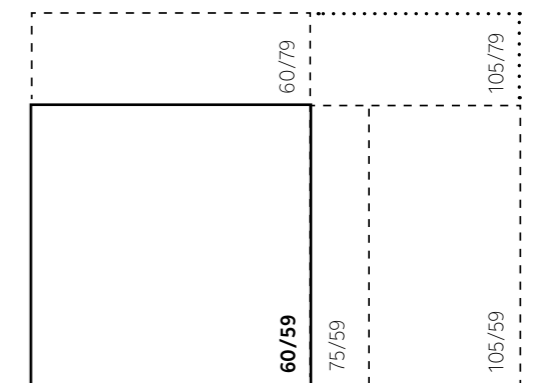


GP range

Front model

A closed gas fire with one front-facing glass panel is called a front model. The Kalfire range includes a large number of front models, with multiple possibilities in size and decorative features. The size of the glass, which can be square or rectangular, can vary between 60 and 160 cm in width. Front models are elegant additions to contemporary settings and are also well-adapted to installation in a fireplace mantel, the style and appearance of which can be chosen according to your taste.

Glass sizes of front models with Prestige burner:



KALFIRE GP60/59F with NSG



PRODUCT RANGE

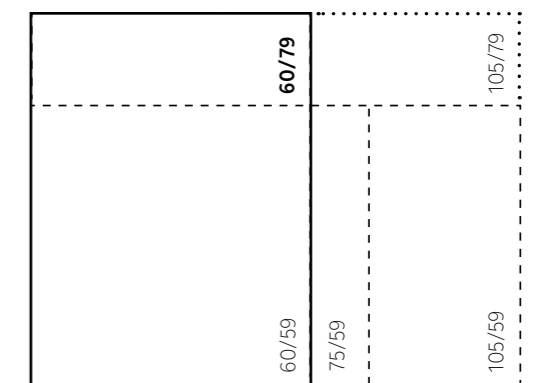


GP range



KALFIRE GP60/79F with NSG

Glass sizes of front models with Prestige burner:



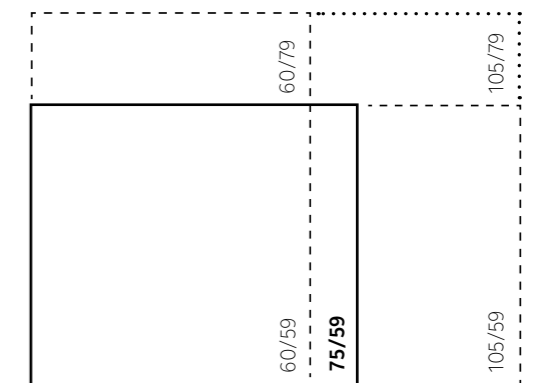
PRODUCT RANGE





GP range

Glass sizes of front models with Prestige burner:



KALFIRE GP75/59F with Boom brickwork effect: rear panel, hearth step and vertical passepartouts



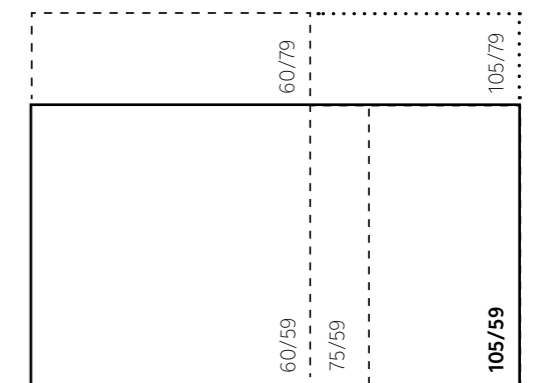
PRODUCT RANGE





GP range

Glass sizes of front models with Prestige burner:



KALFIRE GP105/59F



PRODUCT RANGE





GP range

Glass sizes of front models with Prestige burner:

	60/79	105/79
60/59	75/59	105/59

KALFIRE GP105/79F with brick-effect interior



PRODUCT RANGE

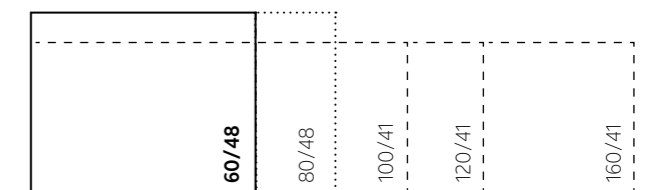


G range



KALFIRE G60/48F

Glass sizes of front models with Prestige burner:



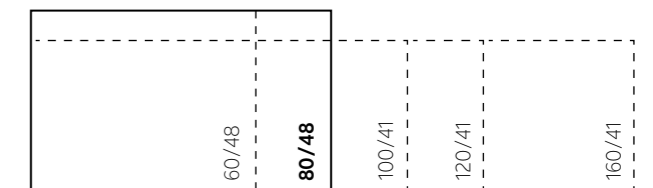
PRODUCT RANGE





G range

Glass sizes of front models with Prestige burner:



KALFIRE G80/48F



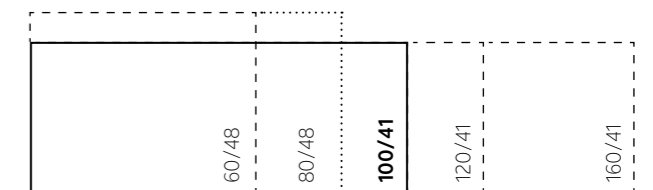
PRODUCT RANGE





G range

Glass sizes of front models with Prestige burner:



KALFIRE G100/41F



PRODUCT RANGE





G range

Glass sizes of front models with Prestige burner:

60/48	80/48	100/41	120/41	160/41
-------	-------	--------	---------------	--------

KALFIRE G120/41F



PRODUCT RANGE



G range



KALFIRE G160/41F

Glass sizes of front models with Prestige burner:

60/48	80/48	100/41	120/41	160/41
-------	-------	--------	--------	--------



PRODUCT RANGE



Corner model:

a view from
two angles

KALFIRE GP80/55C



PRODUCT RANGE

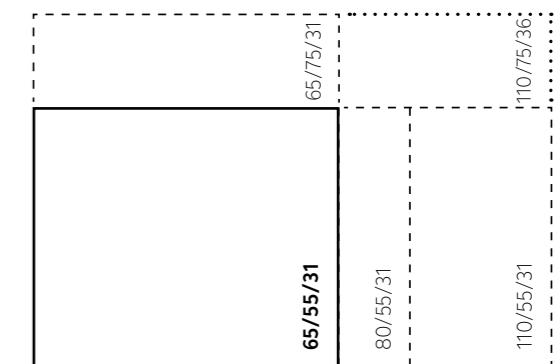


GP range

Corner model

Our corner gas fire models offer a view of the fire from two different angles. Kalfire corner models come in a wide range of widths and heights. You can also choose whether you want the glass corner to face to the left or the right. In addition, you can customize your corner model with a flat interior, a ceramic glass interior, or a design interior. These options are also available for other types of Kalfire gas fires.

Glass sizes of corner models with Prestige burner:



KALFIRE GP65/55C with NSG



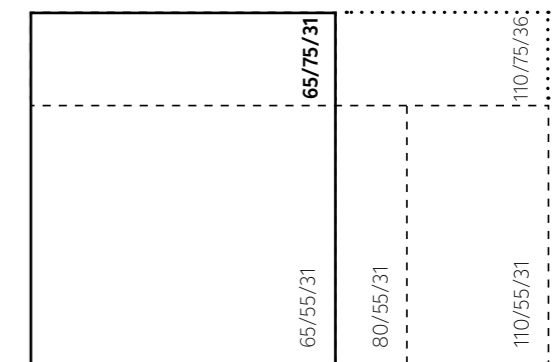
PRODUCT RANGE





GP range

Glass sizes of corner models with Prestige burner:



KALFIRE GP65/75C with NSG



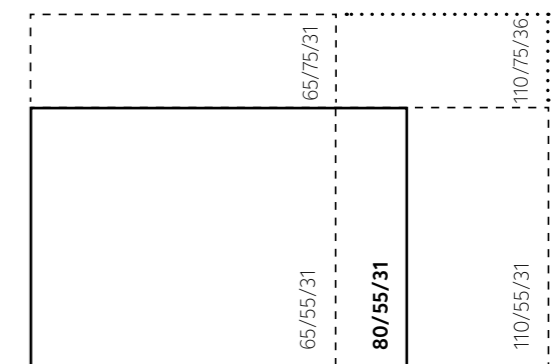
PRODUCT RANGE





GP range

Glass sizes of corner models with Prestige burner:



KALFIRE GP80/55C



PRODUCT RANGE





GP range

Glass sizes of corner models with Prestige burner:

	65/75/31		110/75/36
65/55/31		80/55/31	110/55/31

KALFIRE GP110/55C



PRODUCT RANGE





GP range

Glass sizes of corner models with Prestige burner:

	65/75/31	
65/55/31		110/75/36
	80/55/31	
		110/55/31

KALFIRE GP110/75C



natural gas

PRODUCT RANGE

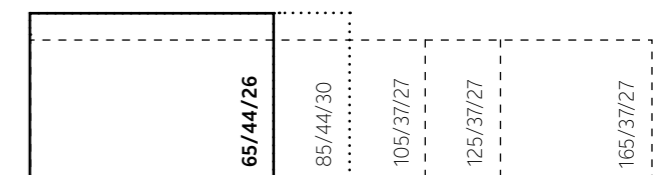




G range

KALFIRE G65/44C

Glass sizes of corner models with Prestige burner:



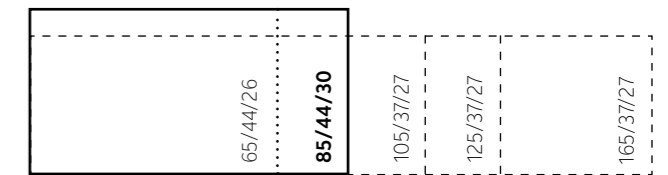
PRODUCT RANGE





G range

Glass sizes of corner models with Prestige burner:



KALFIRE G85/44C



PRODUCT RANGE





G range

KALFIRE G105/37C

Glass sizes of corner models with Prestige burner:

65/44/26	85/44/30	105/37/27	125/37/27	165/37/27
----------	----------	------------------	-----------	-----------



PRODUCT RANGE





G range

KALFIRE G125/37C

Glass sizes of corner models with Prestige burner:

65/44/26	85/44/30	105/37/27	125/37/27	165/37/27
----------	----------	-----------	------------------	-----------



PRODUCT RANGE





G range

KALFIRE G165/37C

Glass sizes of corner models with Prestige burner:

65/44/26	85/44/30	105/37/27	125/37/27	165/37/27
----------	----------	-----------	-----------	------------------



PRODUCT RANGE



Three-sided model:
maximum
visibility
of the fire



KALFIRE GP70/55S

Glass sizes of three-sided models with 3D burner:



PRODUCT RANGE



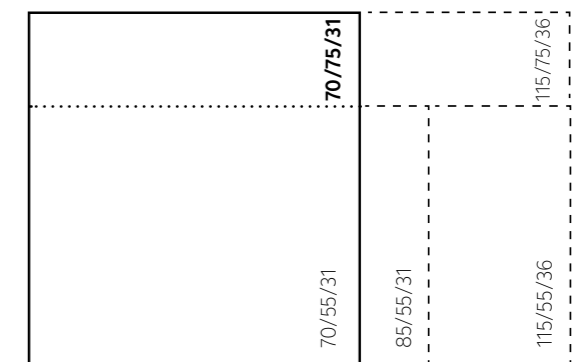


GP range

Three-sided model

As the name indicates, three-sided models are essentially wrapped in glass on three sides. The frameless glass panel bends around the fire, giving an expansive and unimpeded view from three sides. Whatever the style of your interior, the three-sided model always attracts attention, allowing observers to enjoy the realistic play of flames from practically any location in the room. Kalfire offers a large choice of three-sided gas fires.

Glass sizes of three-sided models with 3D burner:



KALFIRE GP70/75S with NSG

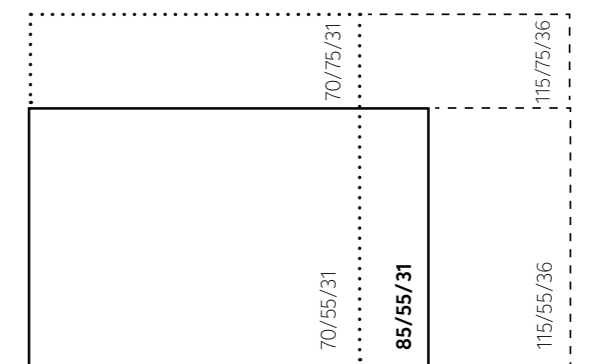


GP range



KALFIRE GP85/55S

Glass sizes of three-sided models with 3D burner:



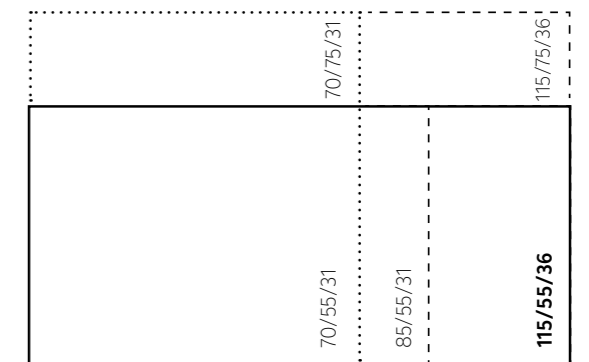
PRODUCT RANGE





GP range

Glass sizes of three-sided models with 3D burner:



KALFIRE GP115/55S



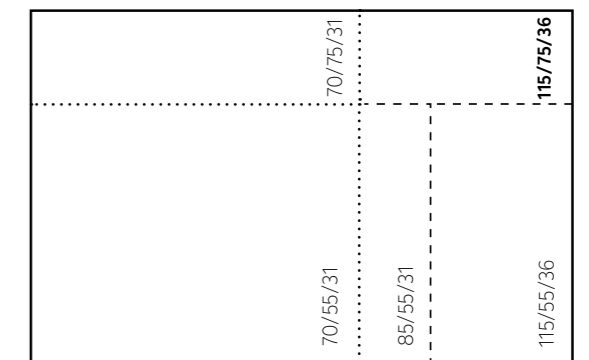
PRODUCT RANGE





GP range

Glass sizes of three-sided models with 3D burner:



KALFIRE GP115/75S



natural gas

PRODUCT RANGE

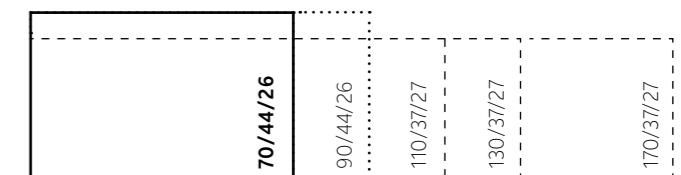


G range



KALFIRE G70/44S

Glass sizes of three-sided models with 3D burner:



PRODUCT RANGE

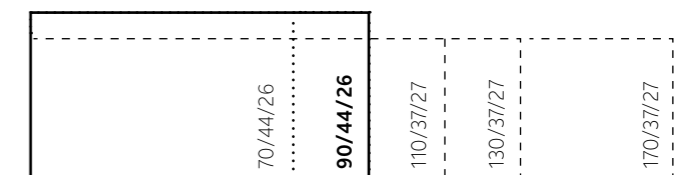




G range

KALFIRE G90/44S

Glass sizes of three-sided models with 3D burner:



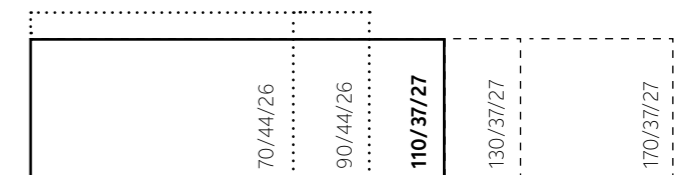
PRODUCT RANGE





G range

Glass sizes of three-sided models with 3D burner:



KALFIRE G110/37S



PRODUCT RANGE

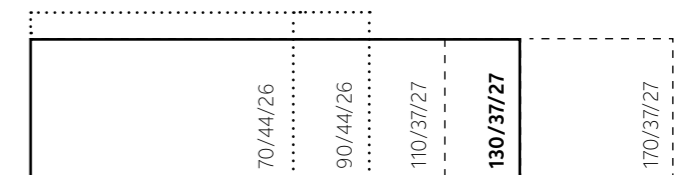




G range

KALFIRE G130/37S

Glass sizes of three-sided models with 3D burner:



PRODUCT RANGE





G range

Glass sizes of three-sided models with 3D burner:

70/44/26	90/44/26	110/37/27	130/37/27	170/37/27
----------	----------	-----------	-----------	-----------

KALFIRE G170/37S

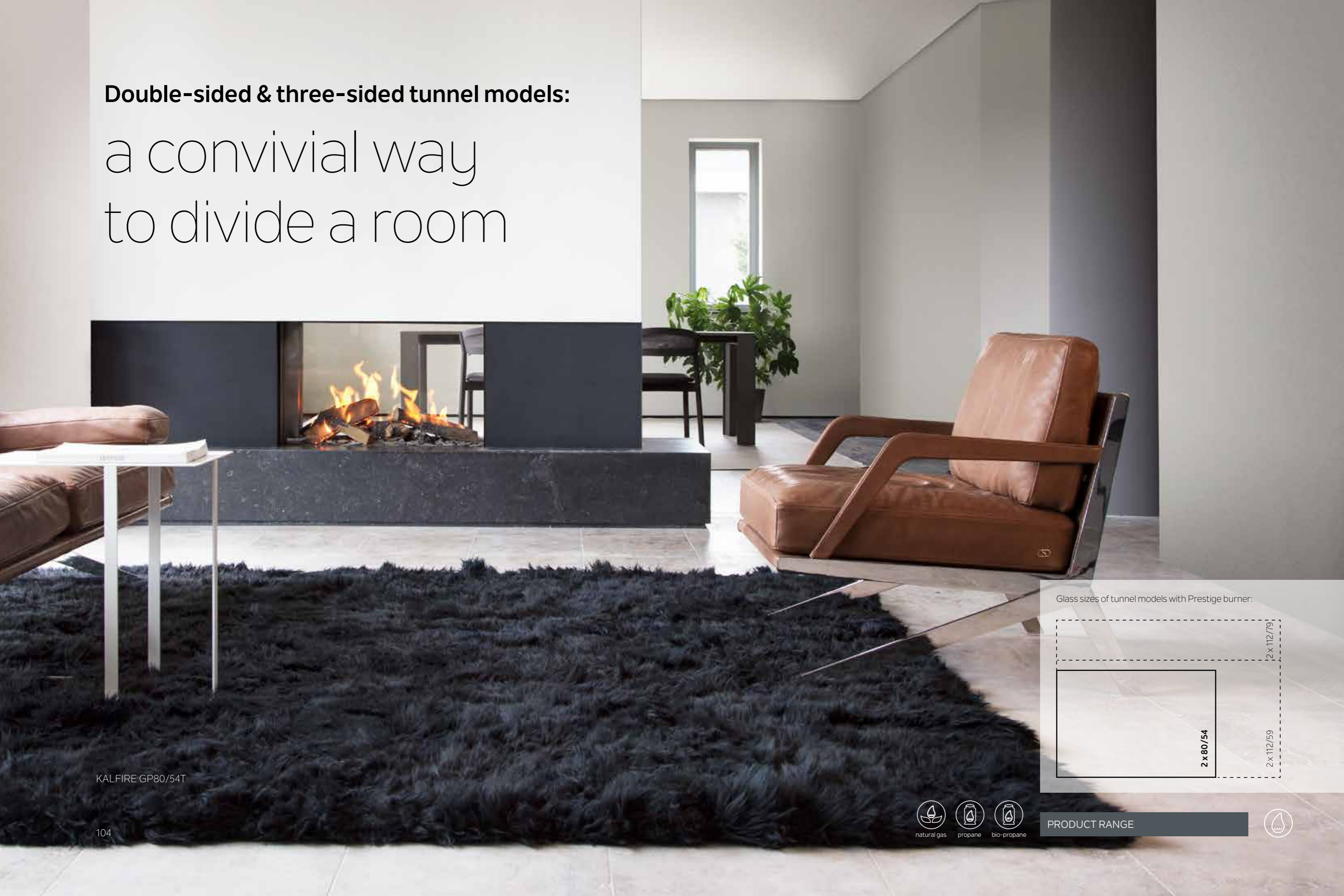


PRODUCT RANGE



Double-sided & three-sided tunnel models:

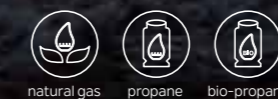
a convivial way
to divide a room



Glass sizes of tunnel models with Prestige burner:



KALFIRE GP80/54T



PRODUCT RANGE





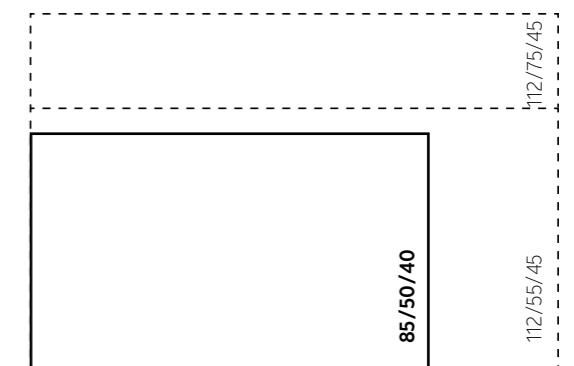
GP range

Room divider & tunnel models

Double-sided models are transparent tunnels of glass that have taken the market by storm. This is the model for you if you want to observe the attractive play of flames from two opposite sides, or if you want to separate a room or space with a visual feature. The double-sided model can be installed within a separating wall or as a free-standing fire to divide a room. Either is a convivial way to separate two spaces within your interior.

A three-sided tunnel model is usually installed against a wall, with the three glass sides extending into the room to divide the space. This makes the fire viewable from every angle in the room. This model can also be suspended freely from the wall without a base, leaving space both below and above it.

Glass sizes of room divider models with Prestige burner:



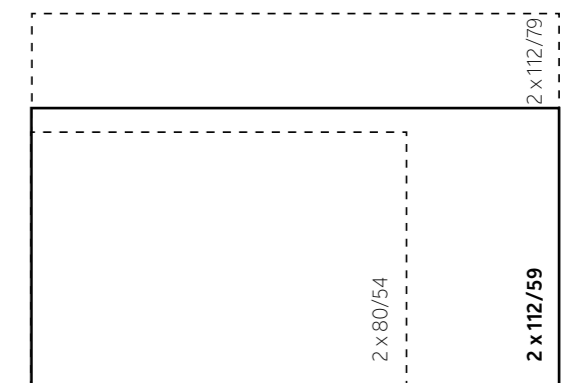
KALFIRE GP85/50R





GP range

Glass sizes of tunnel models with Prestige burner:



KALFIRE GP110/59T



PRODUCT RANGE



GP range



KALFIRE GP115/55R with optional side panel 75/55 left



Back panel

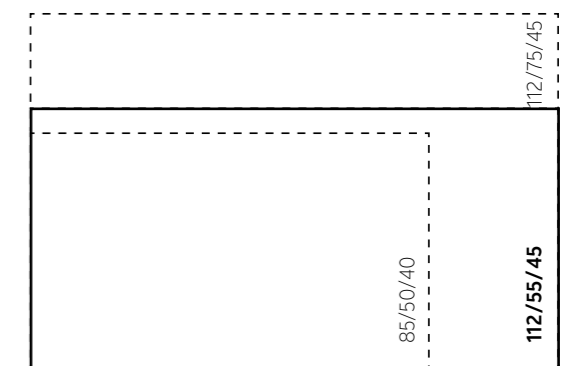


Back and side panel 75/55 left



Back and side panel 75/55 right

Glass sizes of room divider models with Prestige burner:



KALFIRE GP115/55R



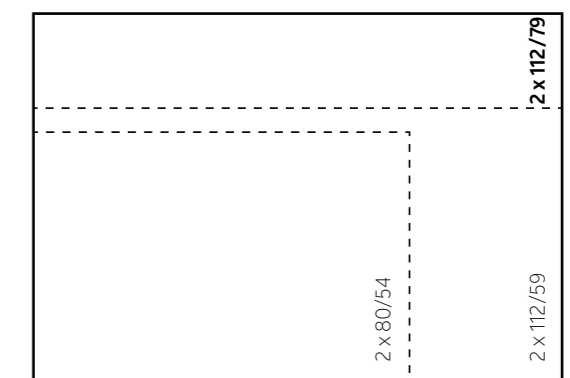
PRODUCT RANGE





KALFIRE GP110/79T

Glass sizes of tunnel models with Prestige burner:



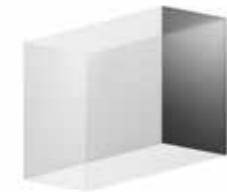
natural gas propane bio-propane

PRODUCT RANGE





GP range



Back panel

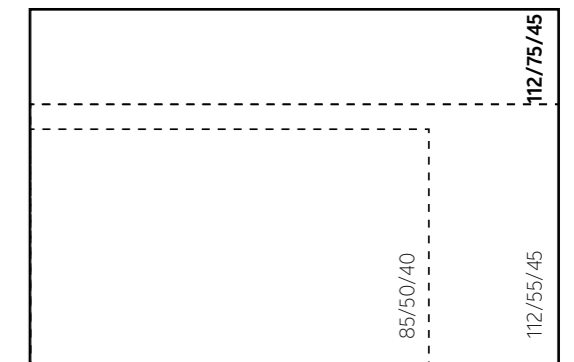


Back and side panel 75/75 left



Back and side panel 75/75 right

Glass sizes of room divider models with Prestige burner:



KALFIRE GP115/75R



PRODUCT RANGE



	Burner type	Hybrid function NSG (Natural Spark Generator)	Interior	Anti-reflective glass	Fillings	Mounting trims	Glass sizes	Ø Flue connection (mm)	Heat output (%)*	Capacity (kW)*	Energy efficiency index (EEI) (%)**	Energy efficiency class*
	3D burner Prestige burner		Flat Black ceramic glass Design Brick effect Boom brickwork effect		Ceramic (burner) logs Ceramic log set Exclusive ceramic log set White stones Grey stones Cryptonite	4-sided, 3 cm deep, 4 mm thick 4-sided, 7 cm deep, 8 mm thick 4-sided, 10 cm deep, 8 mm thick 3 cm deep, 4 mm thick 7 cm deep, 8 mm thick	Width (cm) Height (cm) Width of side glass (cm)					
Front models												
page 40							60 59	130/200	76	6.1	88	A
page 42							60 79	130/200	76	7.9	88	A
page 44							75 59	130/200	83	8.7	88	A
page 46							105 59	130/200	82	8.8	88	A
page 48							105 79	130/200	82	11.4	92	A
page 50							60 48	100/150	85	5.8	89	A
page 52							80 48	130/200	83	6.6	89	A
page 54							100 41	130/200	83	7.4	90	A
page 56							120 41	130/200	85	8.3	90	A
page 58							160 41	130/200	82	10.8	89	A
Corner models												
page 62							65 55 31	130/200	76	6.1	88	A
page 64							65 75 31	130/200	76	7.9	88	A
page 66							80 55 31	130/200	83	8.7	88	A
page 68							110 55 36	130/200	82	8.8	88	A
page 70							110 75 36	130/200	82	11.4	92	A
page 72							65 44 26	100/150	85	5.8	89	A
page 74							85 48 30	130/200	83	6.6	89	A
page 76							105 37 27	130/200	83	7.4	90	A
page 78							125 37 27	130/200	85	8.3	90	A
page 80							165 37 27	130/200	82	10.8	89	A
3-sided models												
page 82							65 55 31	130/200	76	6.1	88	A
page 84							65 75 31	130/200	76	7.9	88	A
page 86							80 55 31	130/200	83	8.7	88	A
page 88							110 55 36	130/200	82	8.8	88	A
page 90							110 75 36	130/200	82	11.4	92	A
page 92							65 44 26	100/150	85	5.8	89	A
page 94							85 48 30	130/200	83	6.6	89	A
page 96							105 37 27	130/200	83	7.4	90	A
page 98							125 37 27	130/200	85	8.3	90	A
page 100							165 37 27	130/200	82	10.8	89	A
Tunnel / Room divider models												
page 102							80 54	130/200	79	7,9	88	A
page 104							85 50 40	130/200	79	7,9	88	A
page 106							112 59	130/200	70	9,4	84	B
page 108							112 55 45	130/200	70	9,4	84	B
page 110							112 79	130/200	73	10,1	72	B
page 112							112 55 45	130/200	73	10,1	72	B



The values indicated are non-contractual. The flame height is lower for fires fuelled by propane.
 *Heat output, capacity, energy efficiency index and energy efficiency class are based on gas type G20 (for other gas types see www.kalfire.com)

Product overview

Front models

Kalfire GP range



Kalfire GP60/59F

page 40

Kalfire GP60/79F

page 42

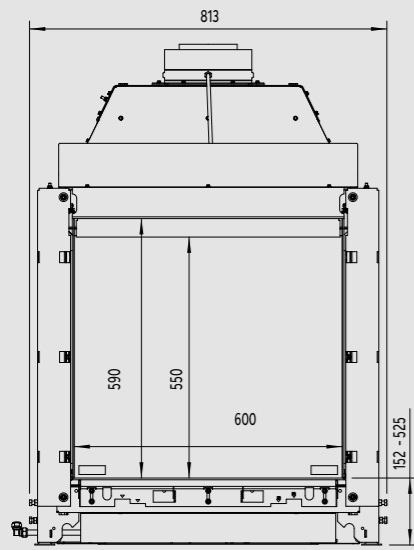
Kalfire GP75/59F

page 44

Kalfire GP105/59F

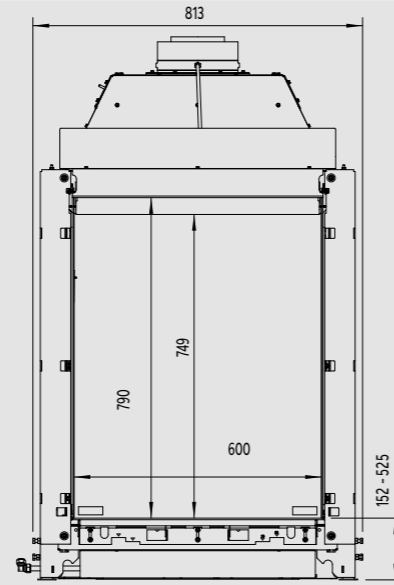
page 46

Front



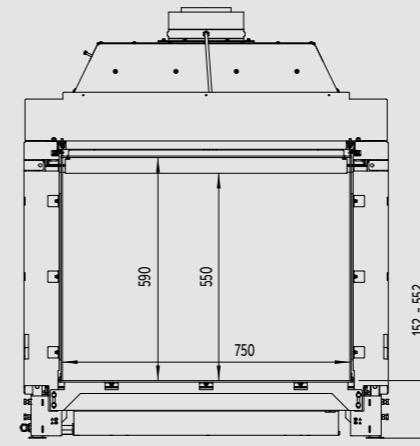
Top

Front



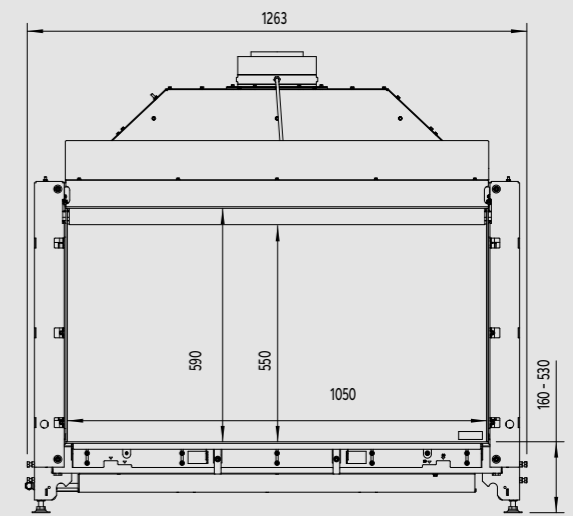
Top

Front

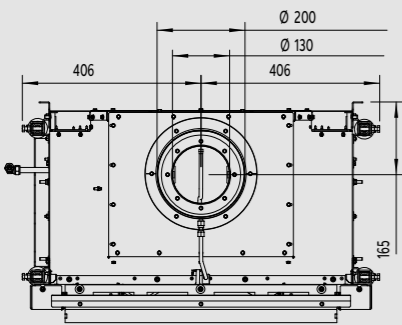


Top

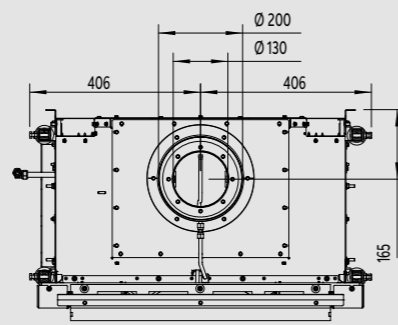
Front



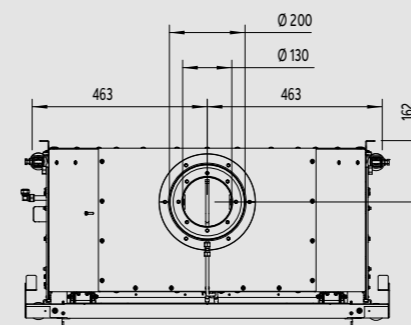
Top



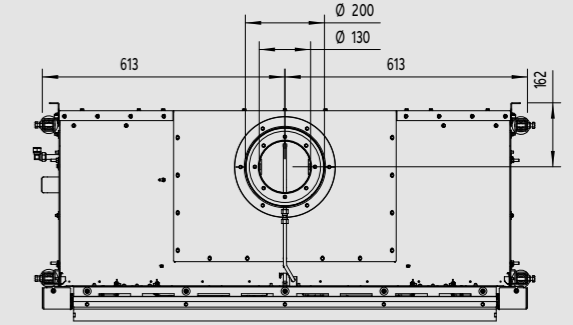
Side



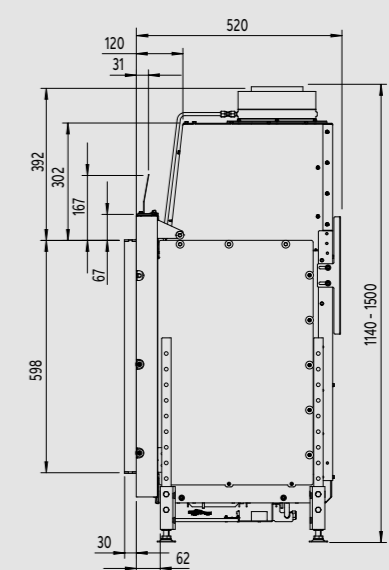
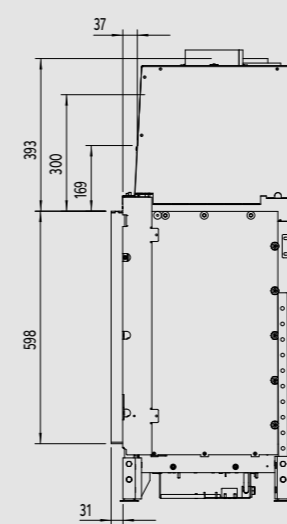
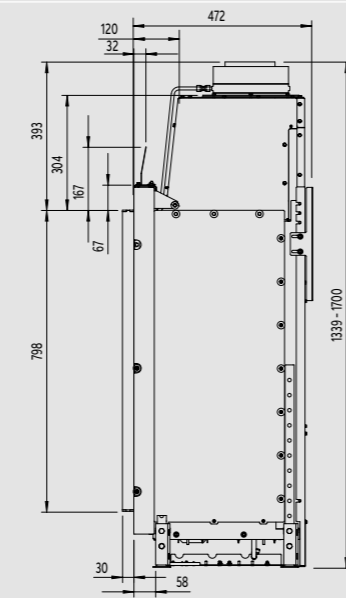
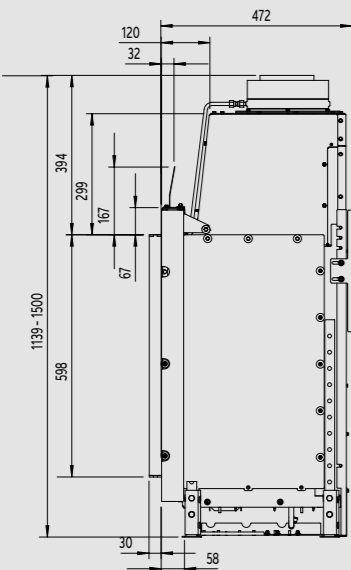
Side



Side



Side



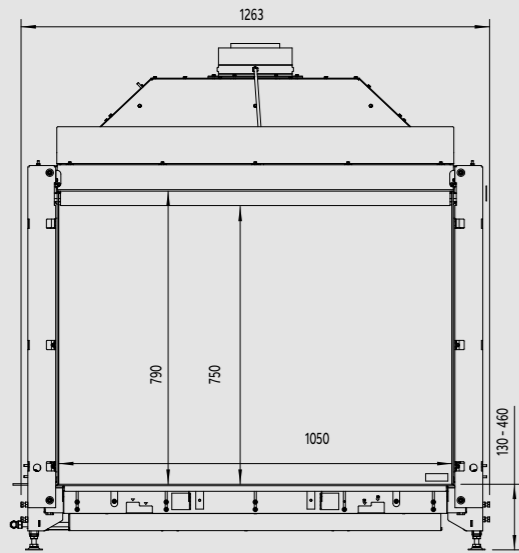
Front models

Kalfire GP range

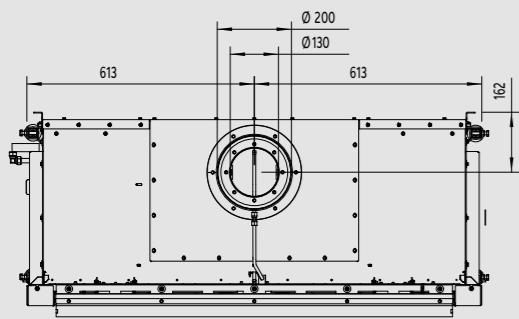
Kalfire GP105/79F

page 48

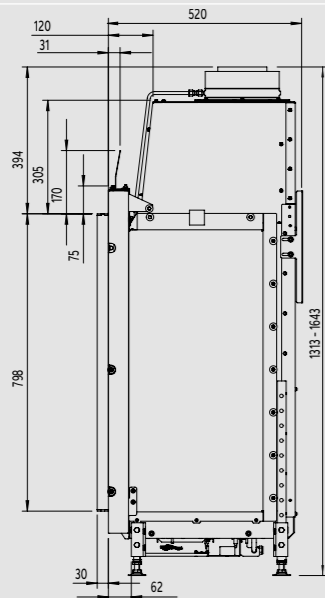
Front



Top



Side



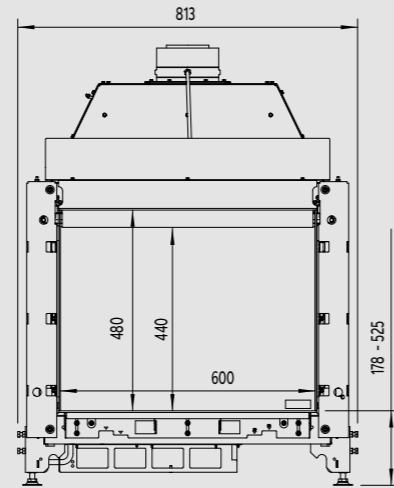
Front models

Kalfire G range

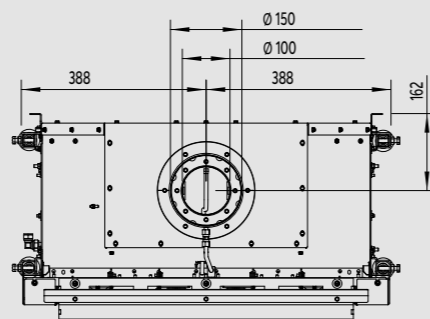
Kalfire G60/48F

page 50

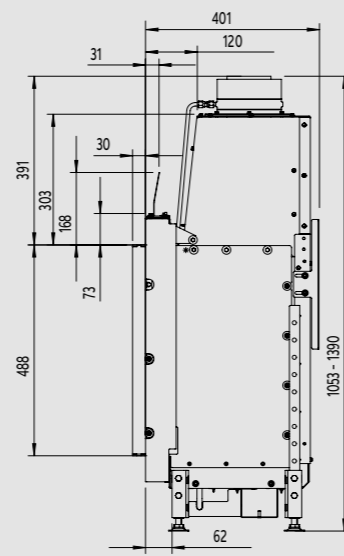
Front



Top



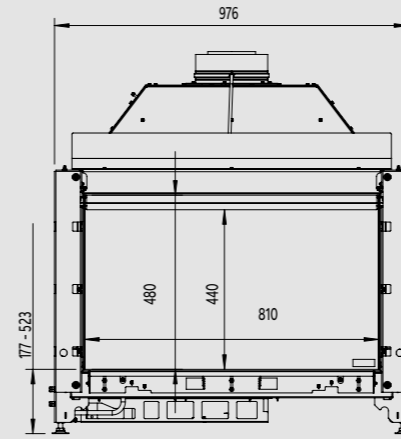
Side



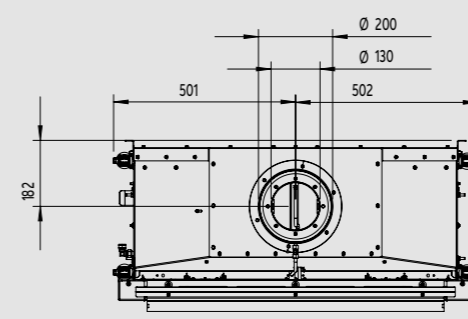
Kalfire G80/48F

page 52

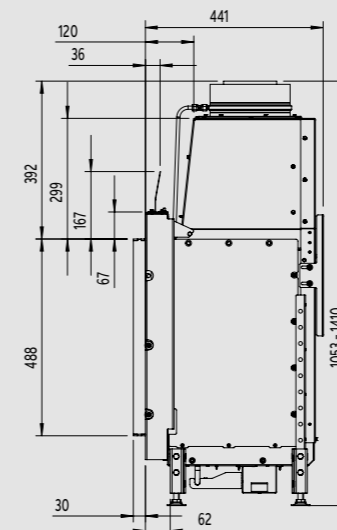
Front



Top



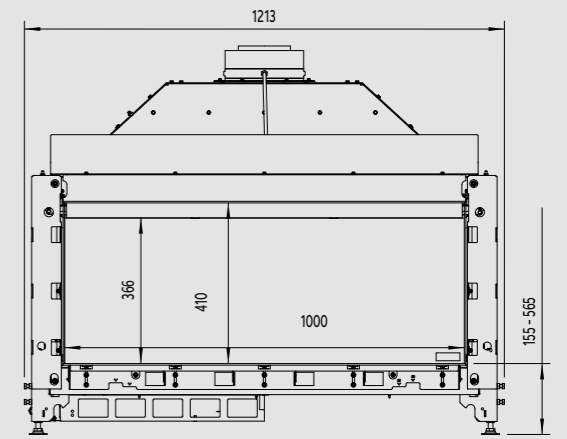
Side



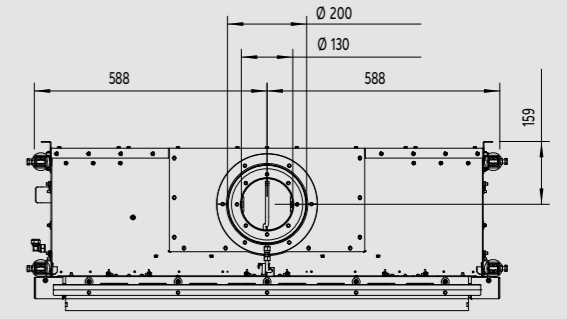
Kalfire G100/41F

page 54

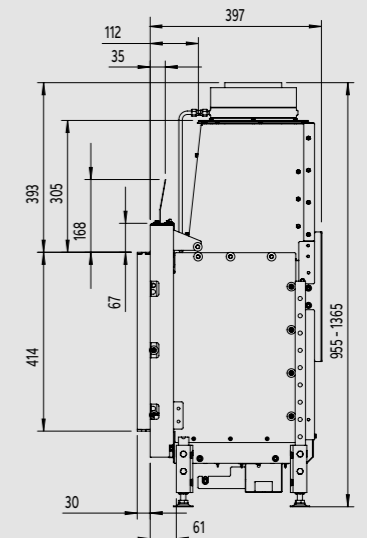
Front



Top



Side



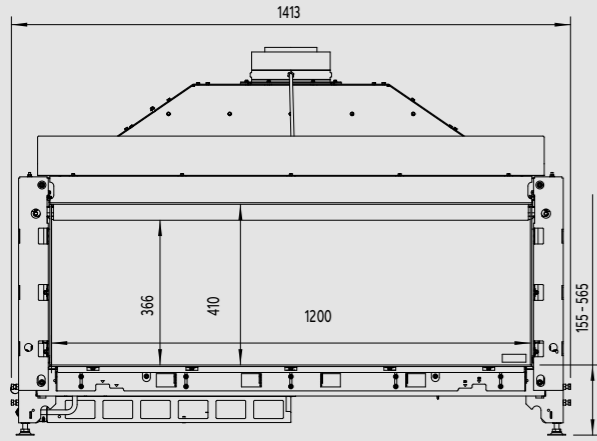
Front models

Kalfire G range

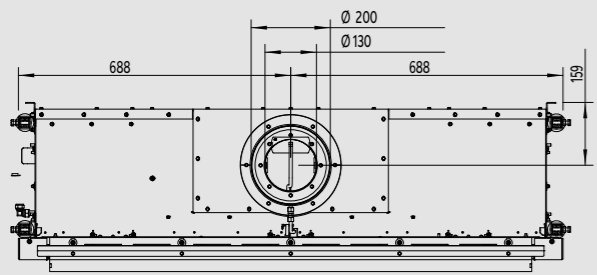
Kalfire G120/41F

page 56

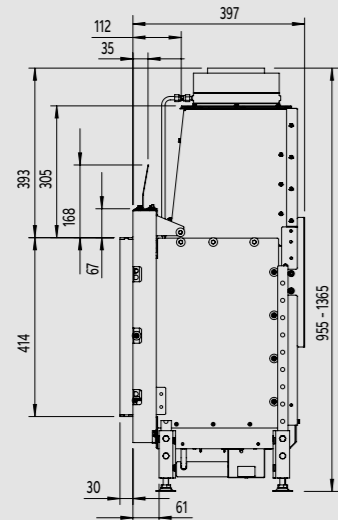
Front



Top



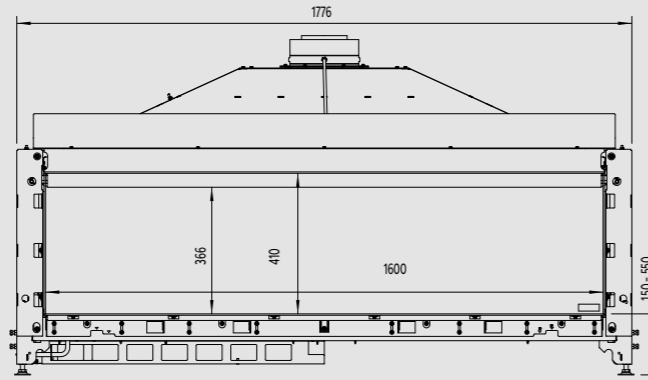
Side



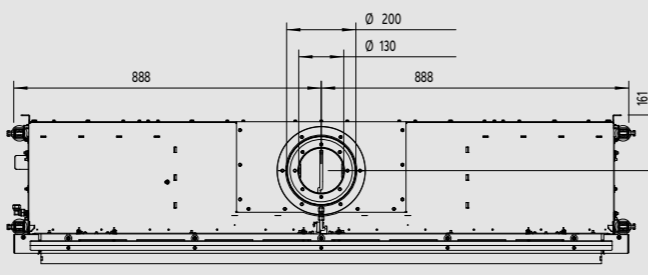
Kalfire G160/41F

page 58

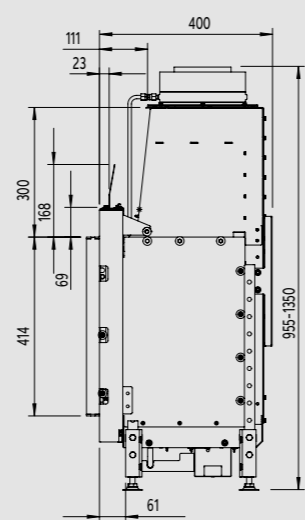
Front



Top



Side



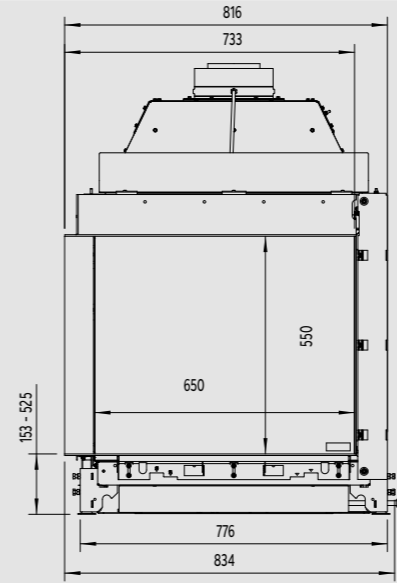
Corner models

Kalfire GP range

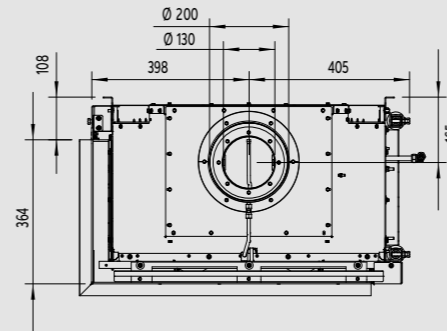
Kalfire GP65/55CL

page 62

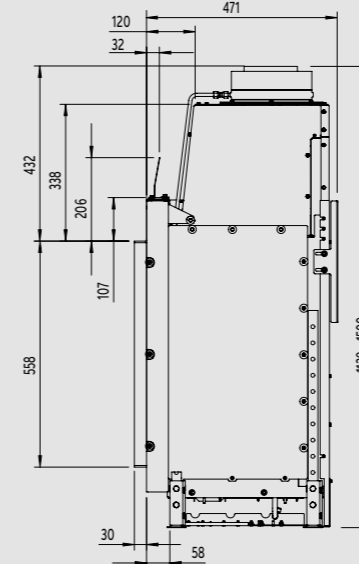
Front



Top

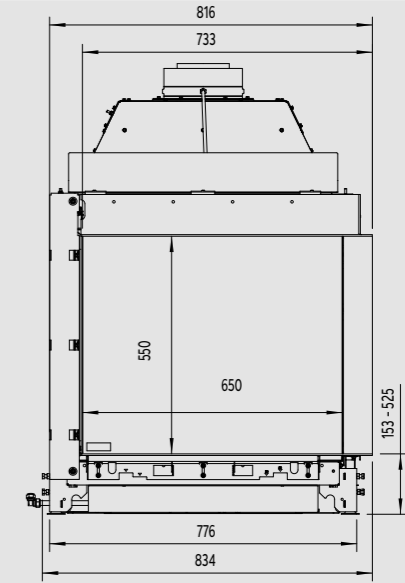


Side

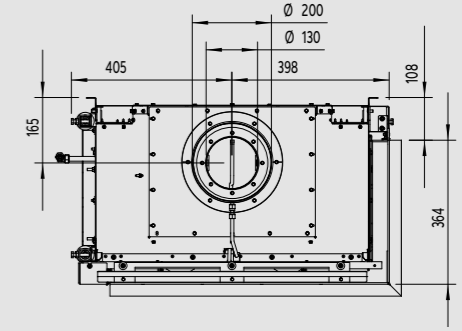


Kalfire GP65/55CR

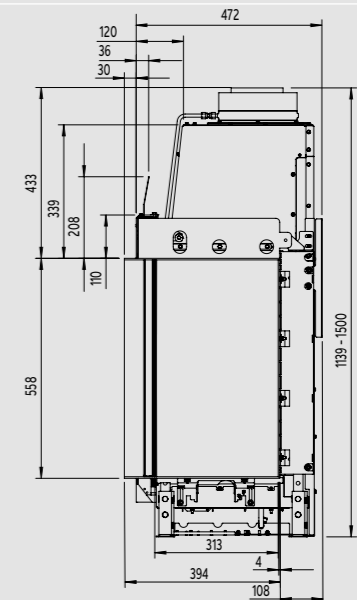
Front



Top



Side



Corner models

Kalfire GP range

Kalfire GP65/75CL

page 64

Kalfire GP65/75CR

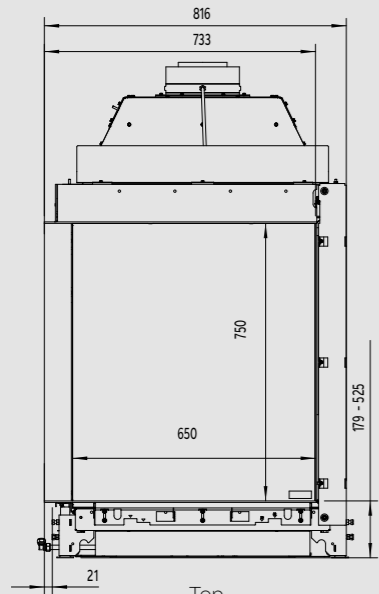
Kalfire GP80/55CL

page 66

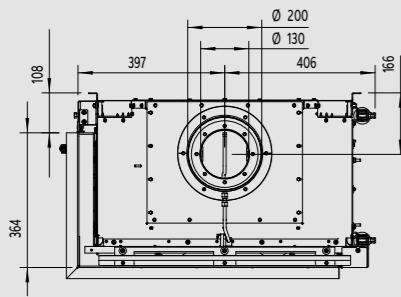
Kalfire GP80/55CR



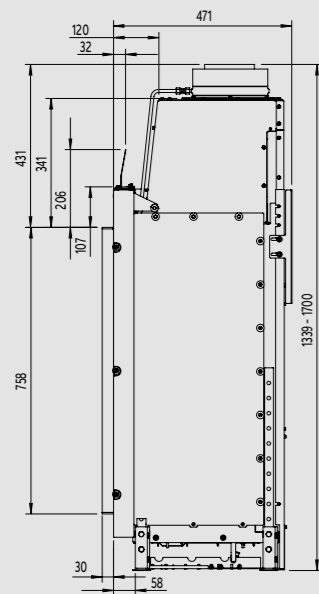
Front



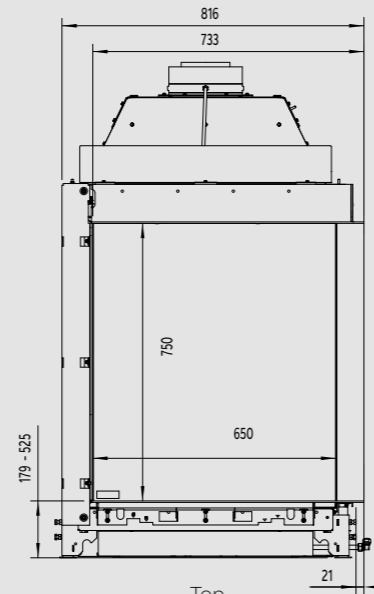
Top



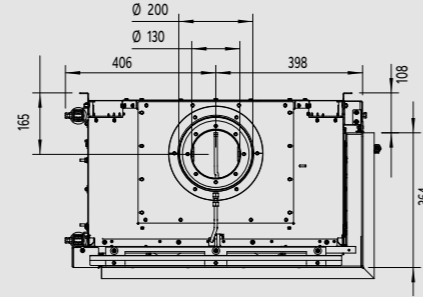
Side



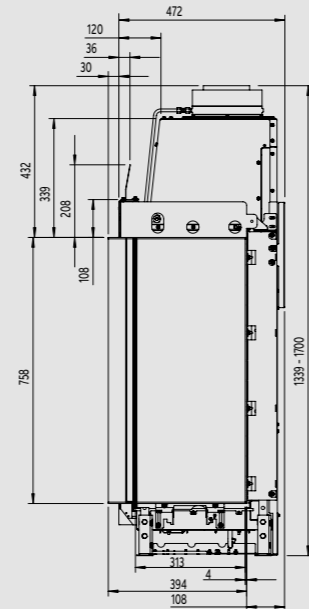
Front



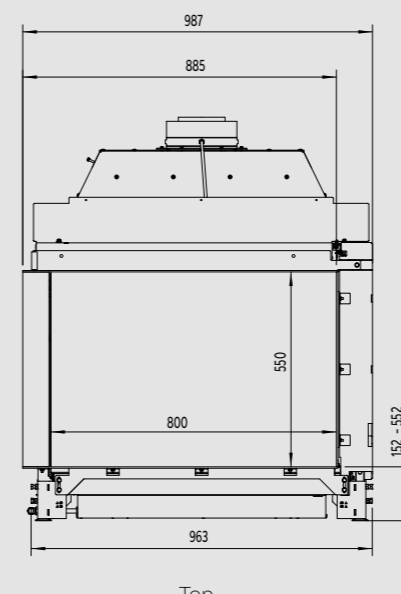
Top



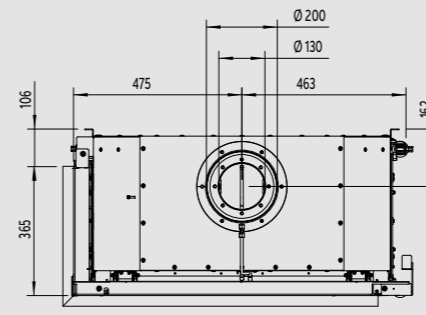
Side



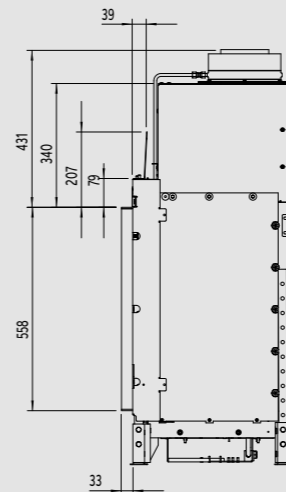
Front



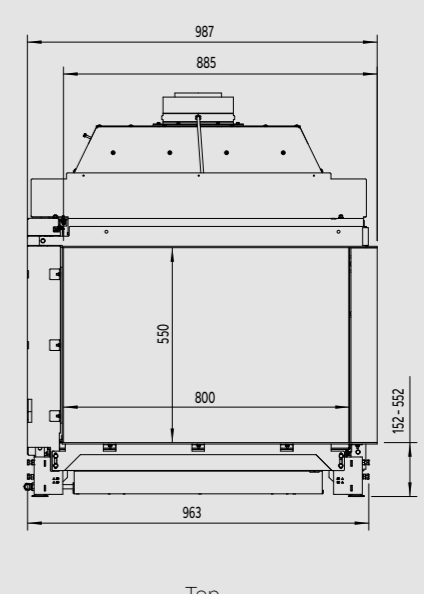
Top



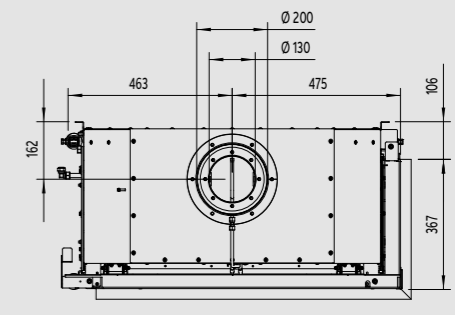
Side



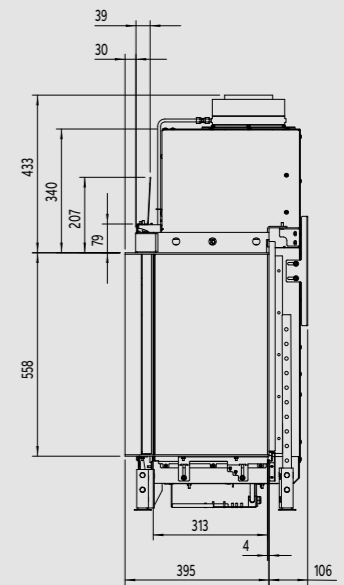
Front



Top



Side



Corner models

Kalfire GP range

Kalfire GP110/55CL

page 68

Kalfire GP110/55CR

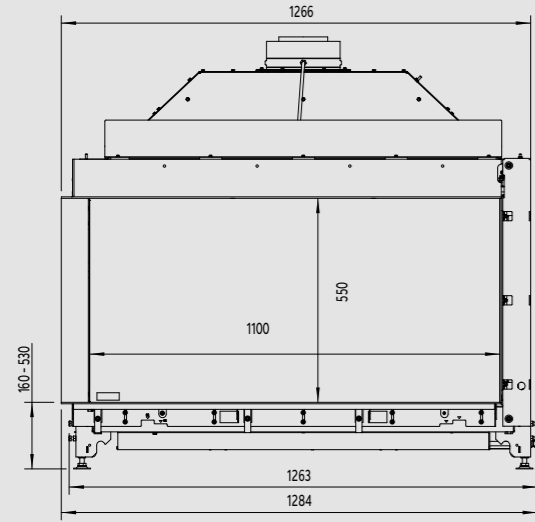
Kalfire GP110/75CL

page 70

Kalfire GP110/75CR

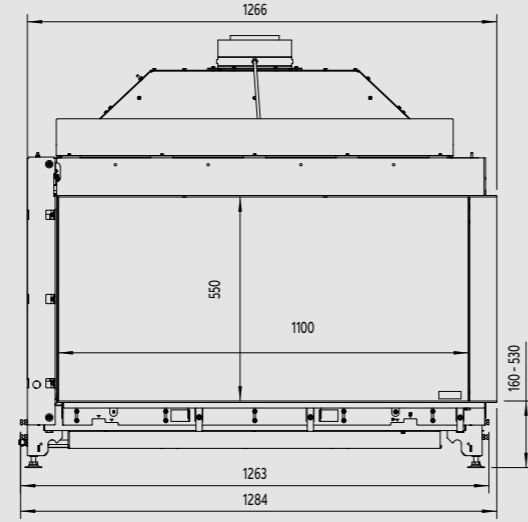


Front



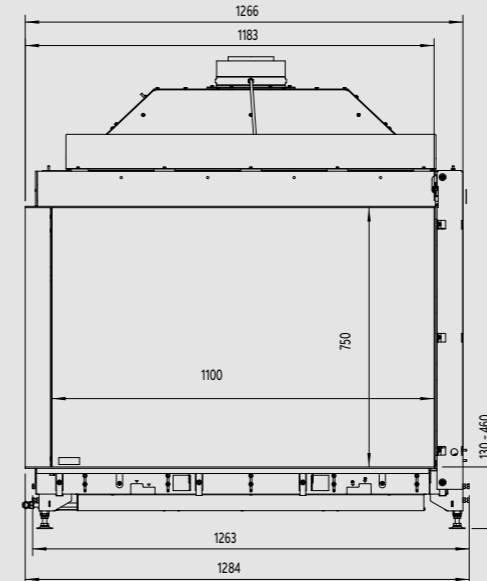
Top

Front



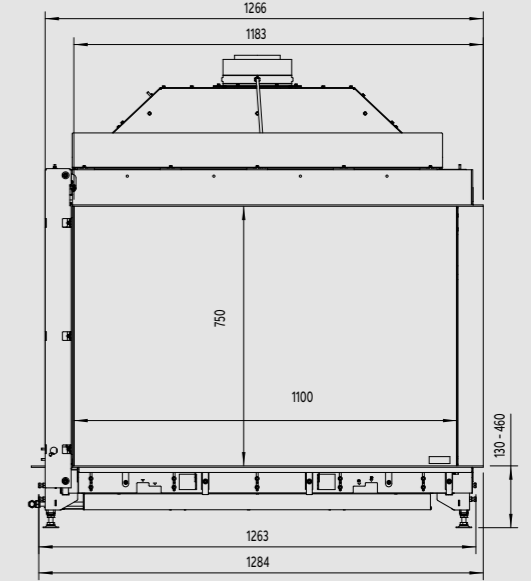
Top

Front



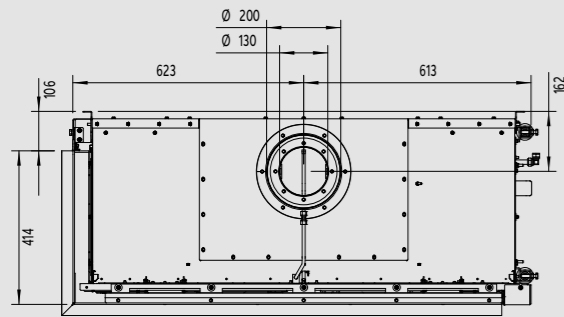
Top

Front

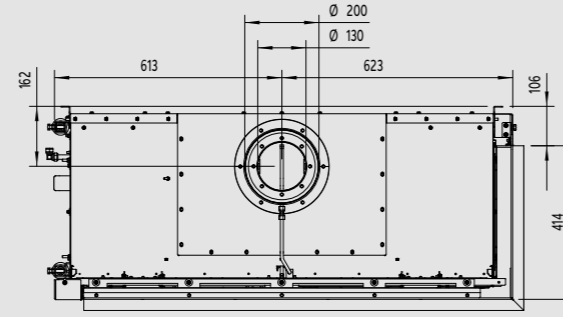


Top

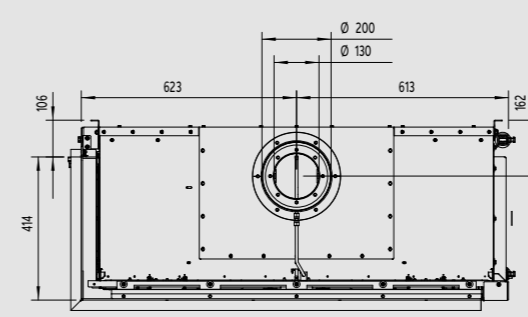
Side



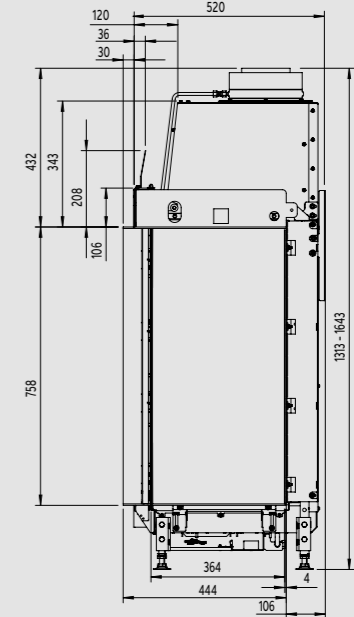
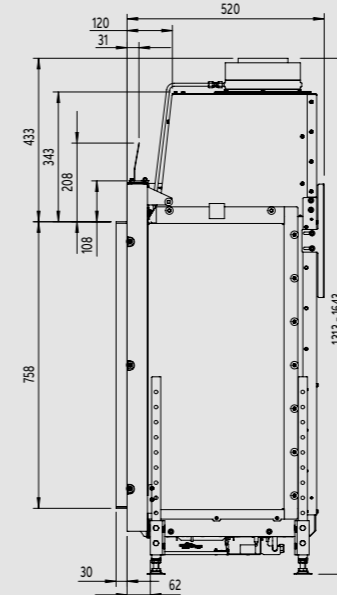
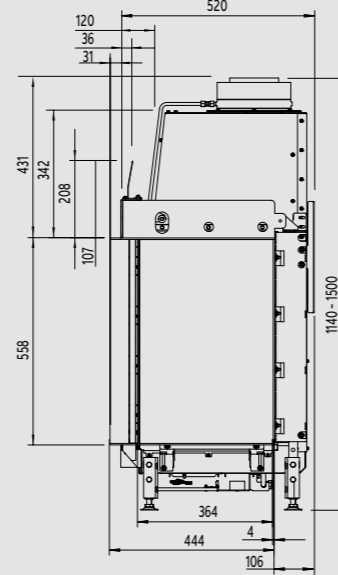
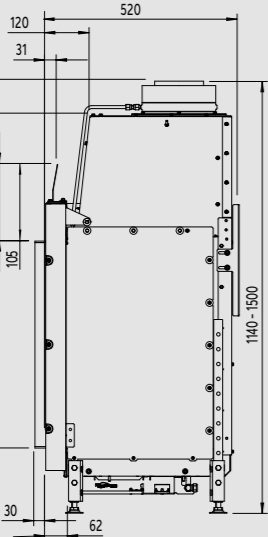
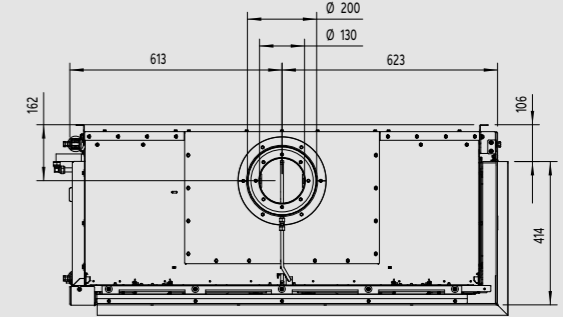
Side



Side



Side



Corner models

Kalfire G range

Kalfire G65/44CL

Kalfire G65/44CR

page 72

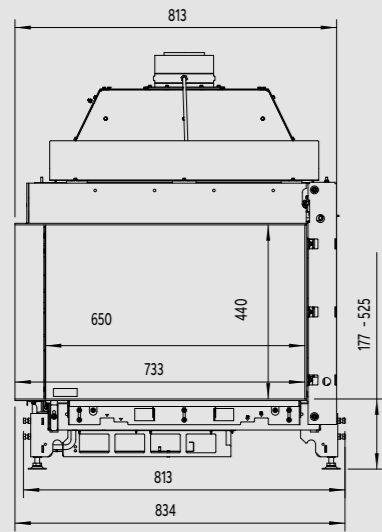
Kalfire G85/44CL

page 74

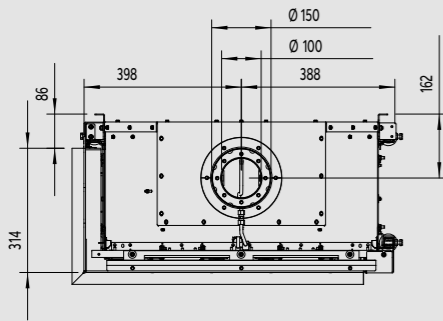
Kalfire G85/44CR



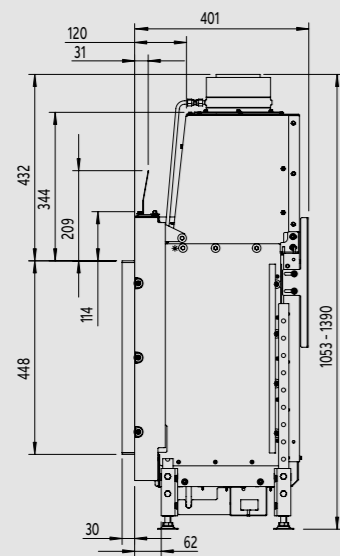
Front



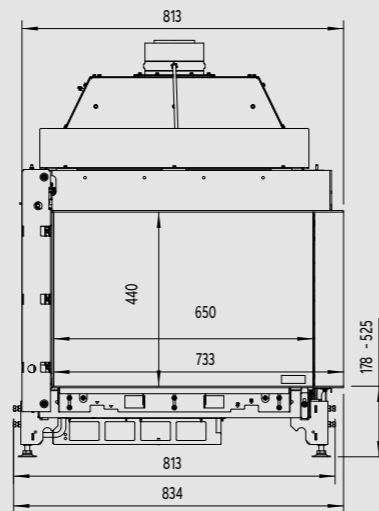
Top



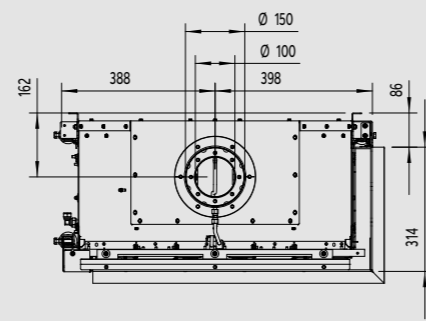
Side



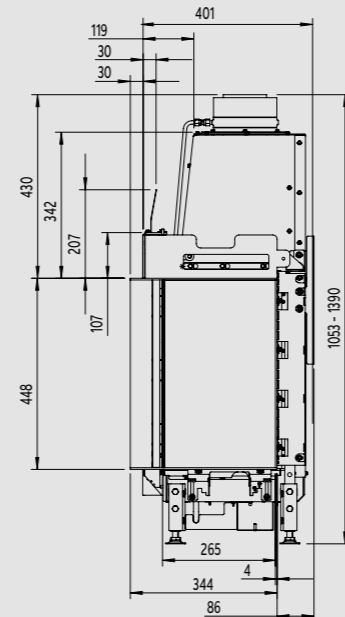
Front



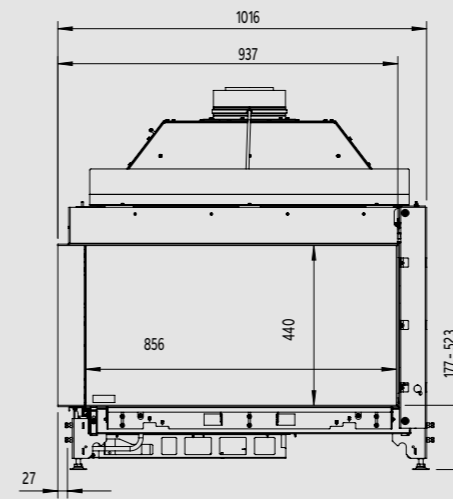
Top



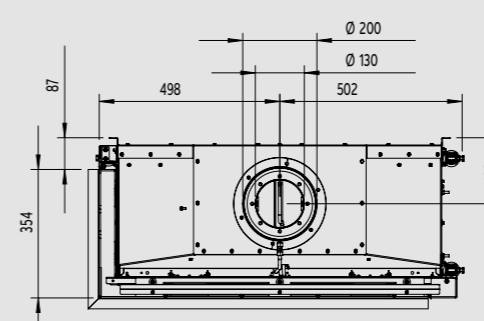
Side



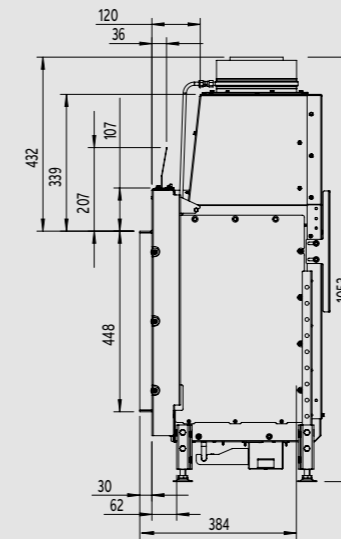
Front



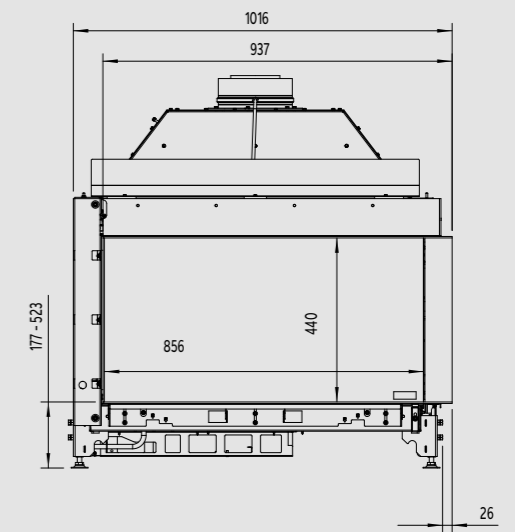
Top



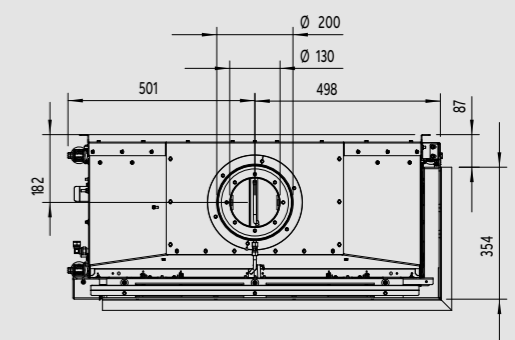
Side



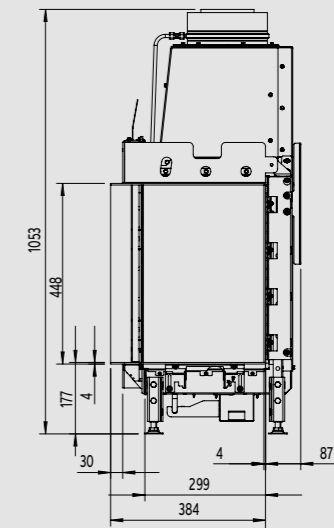
Front



Top



Side



Corner models

Kalfire G range

Kalfire G105/37CL

page 76

Kalfire G105/37CR

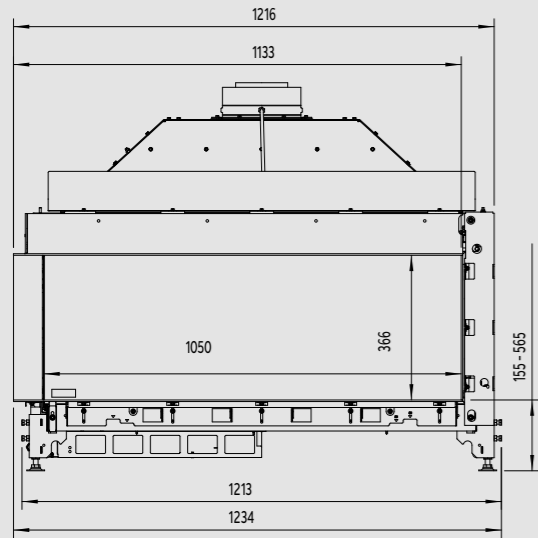
Kalfire G125/37CL

page 78

Kalfire G125/37CR

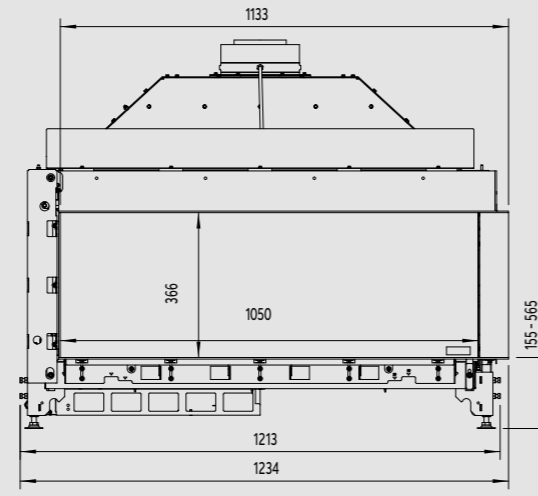


Front



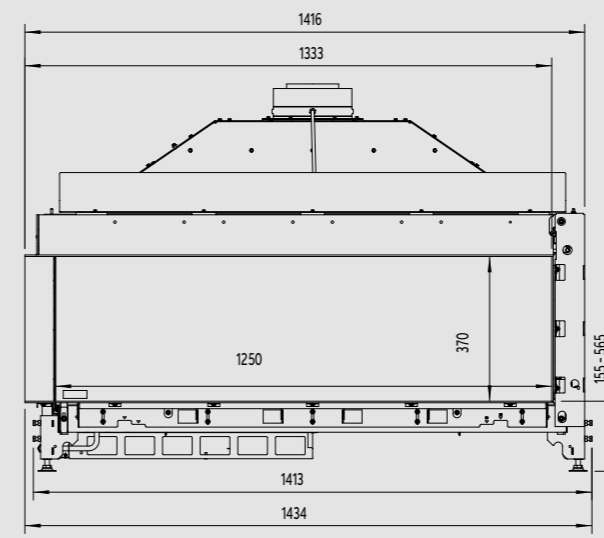
Top

Front



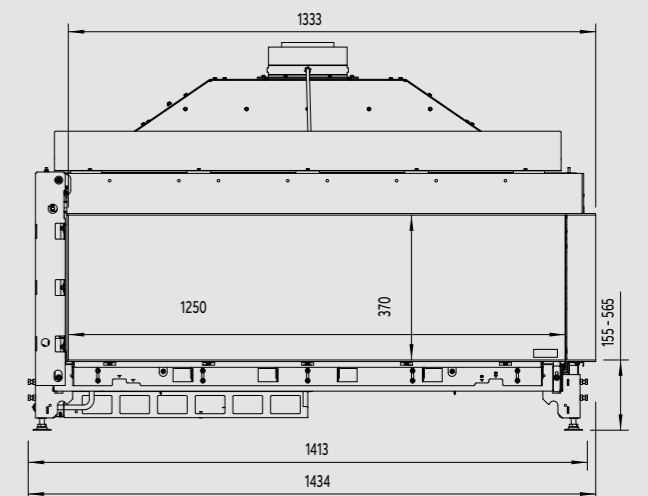
Top

Front

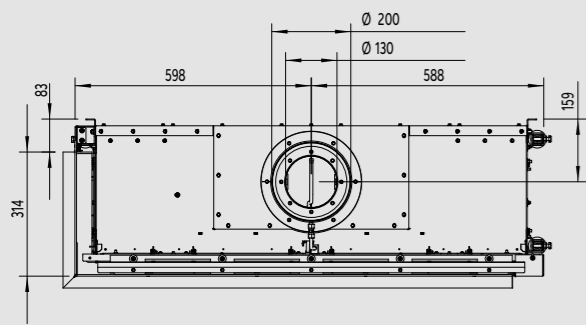


Top

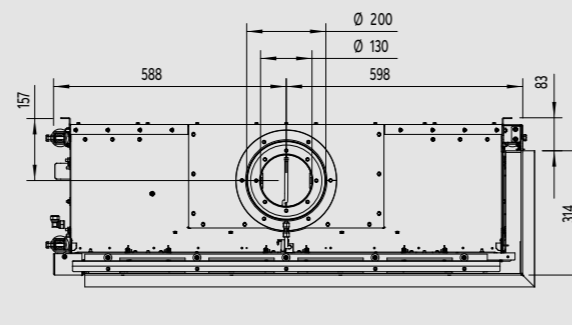
Front



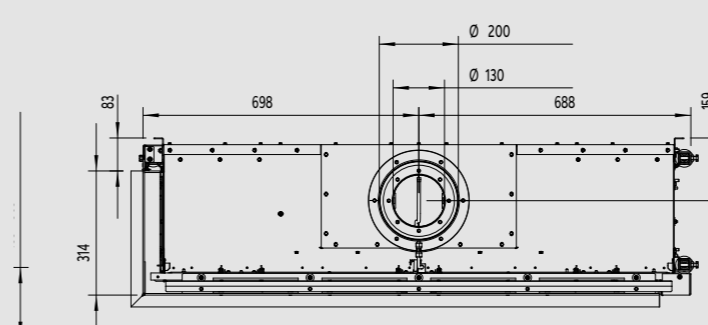
Top



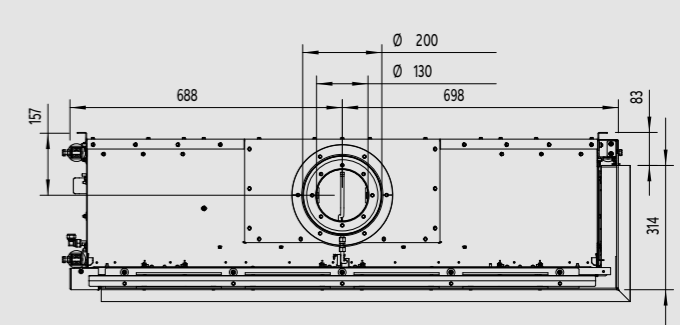
Side



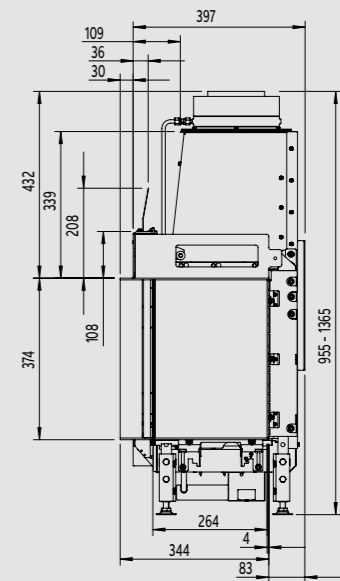
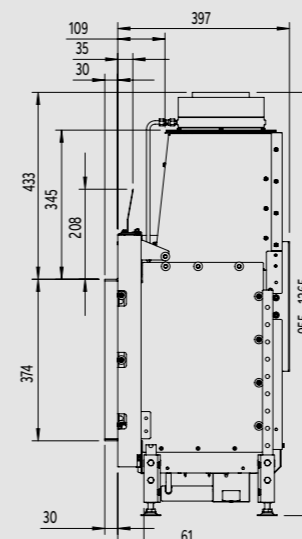
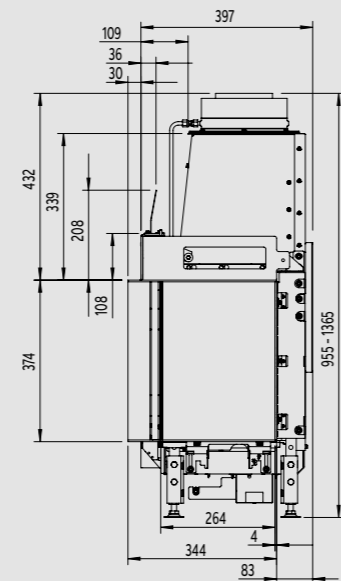
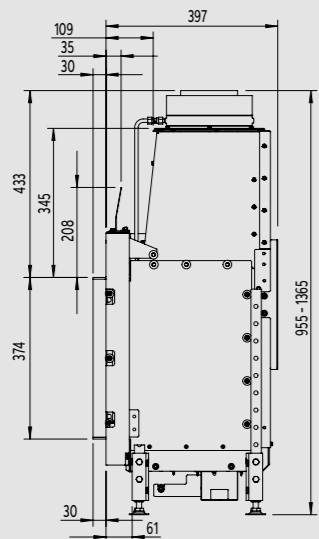
Side



Side



Side



Corner models

Kalfire G range

Kalfire G165/37CL

Kalfire G165/37CR

page 80

3-sided models

Kalfire GP range

Kalfire GP70/55S

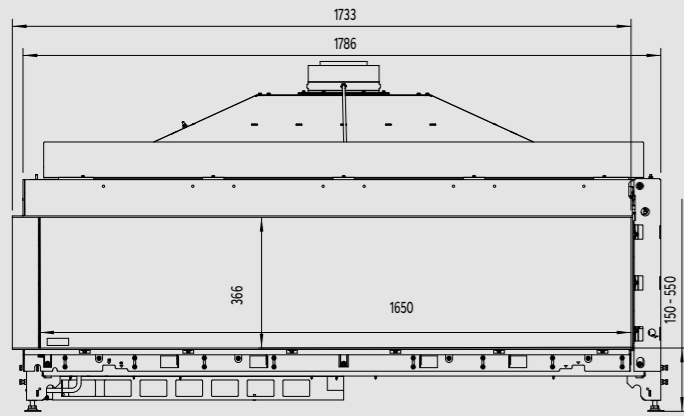
page 82

Kalfire GP70/75S

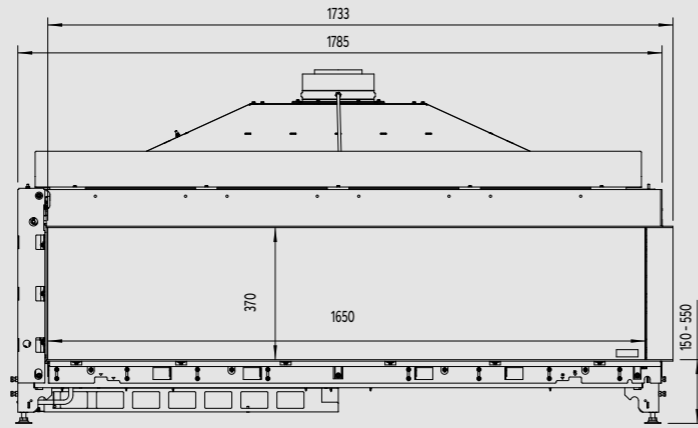
page 84



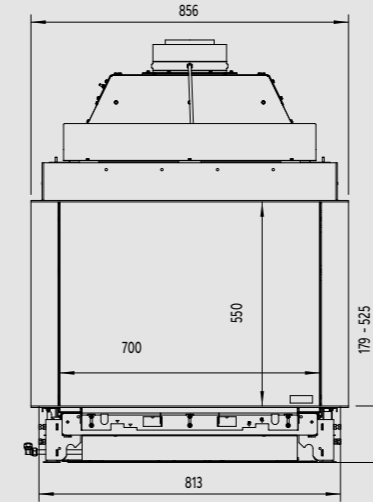
Front



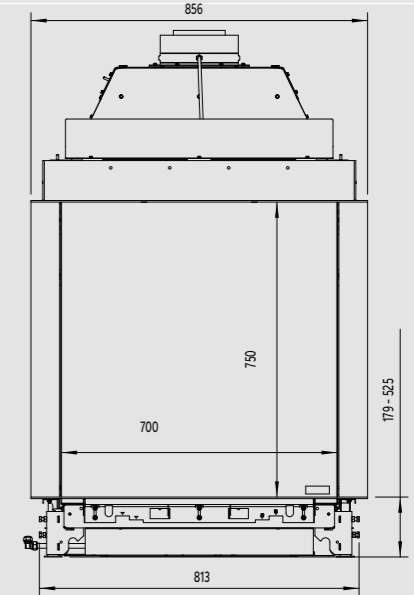
Front



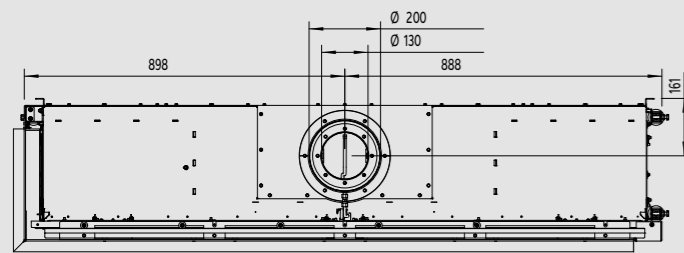
Front



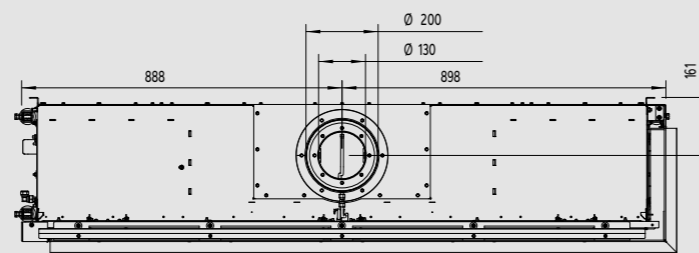
Front



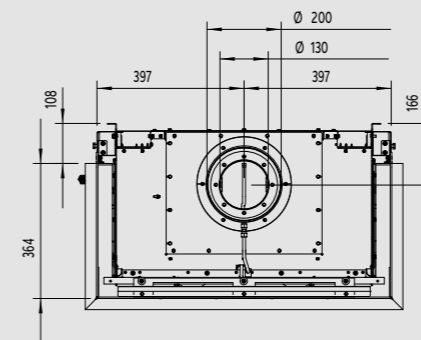
Top



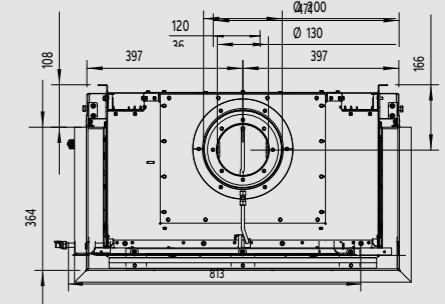
Top



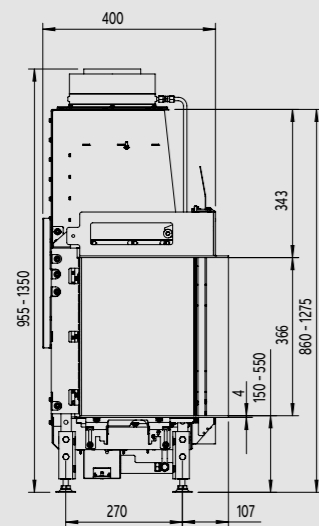
Top



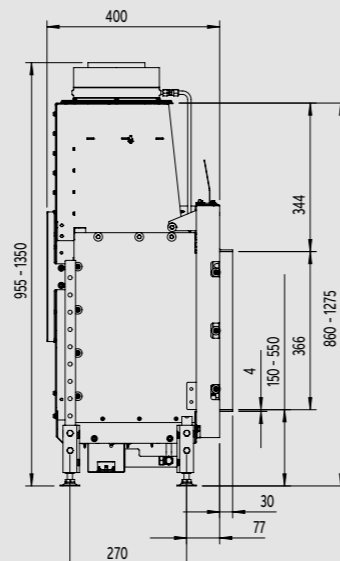
Top



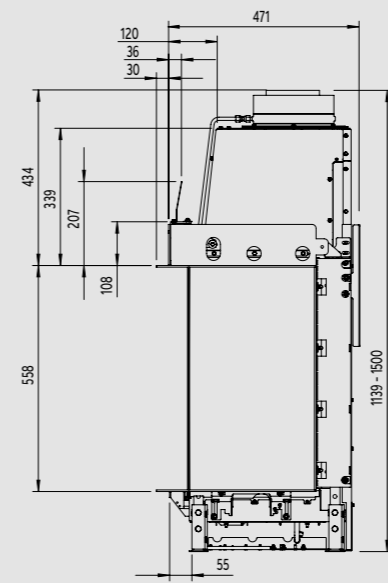
Side



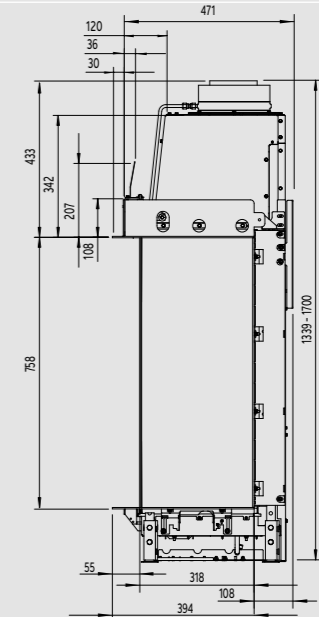
Side



Side



Side



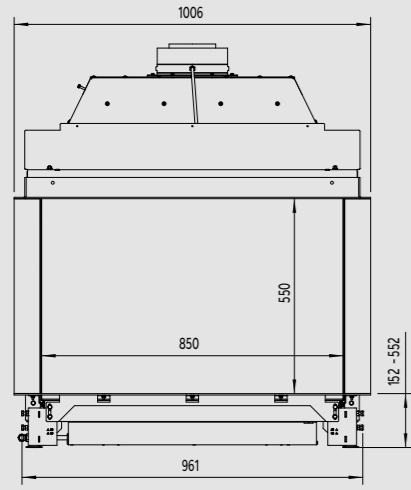
3-sided models

Kalfire GP range

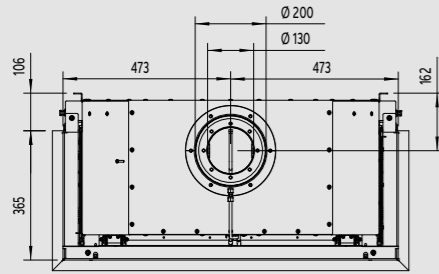
Kalfire GP85/55S

page 86

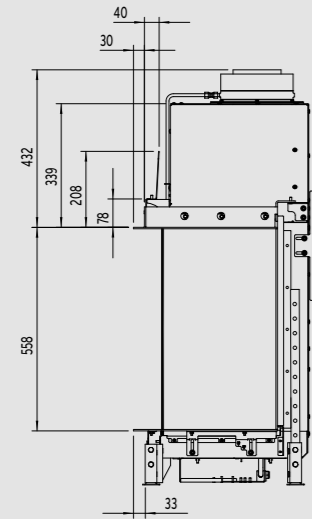
Front



Top



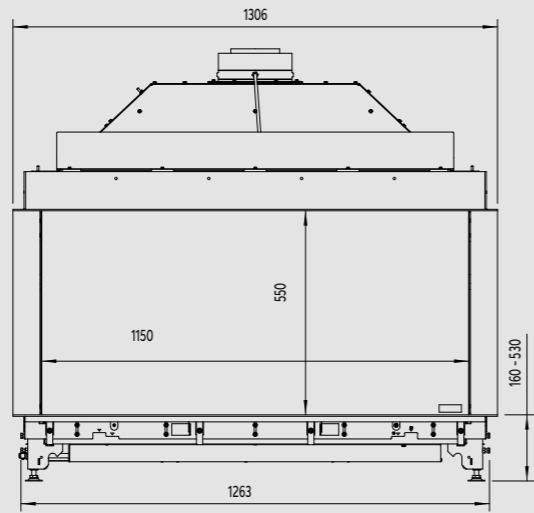
Side



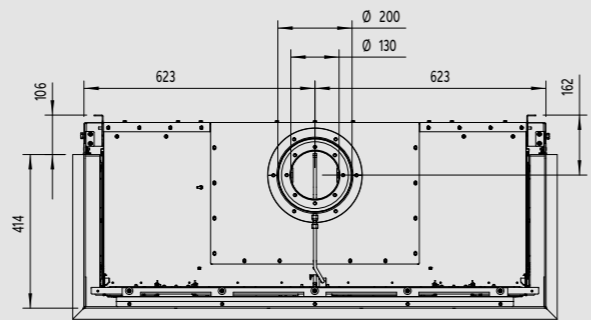
Kalfire GP115/55S

page 88

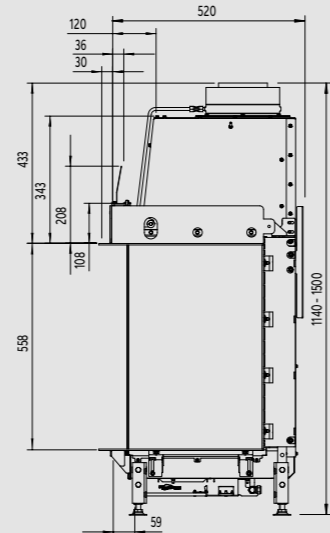
Front



Top



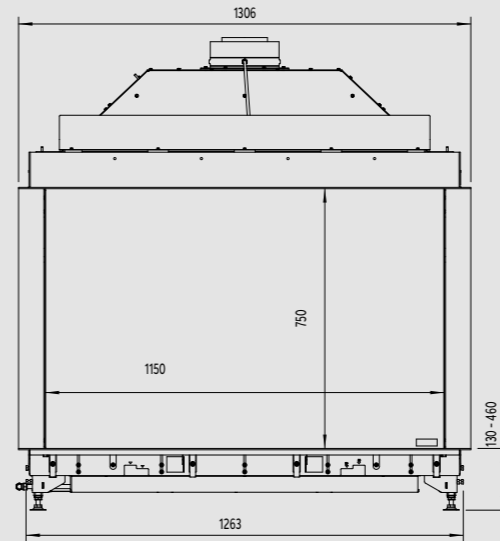
Side



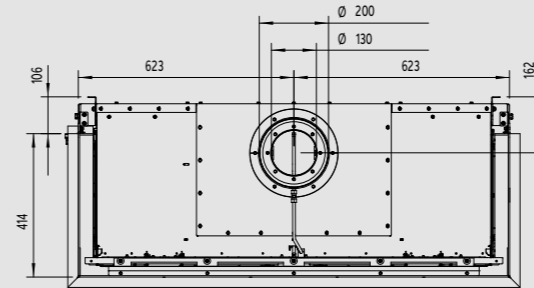
Kalfire GP115/75S

page 90

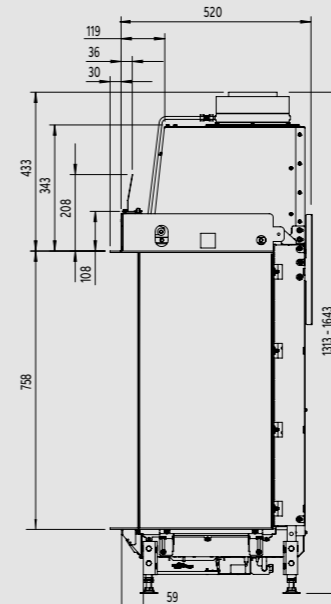
Front



Top



Side



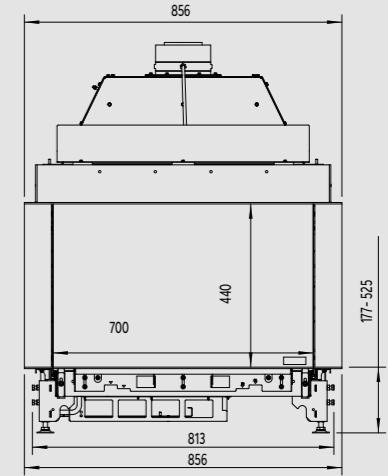
3-sided models

Kalfire G range

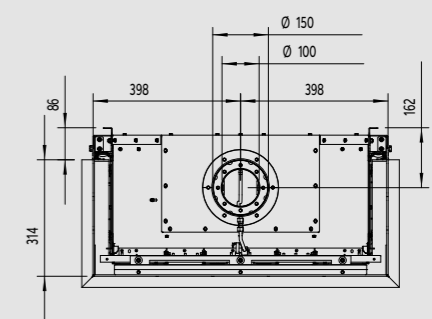
Kalfire G70/44S

page 92

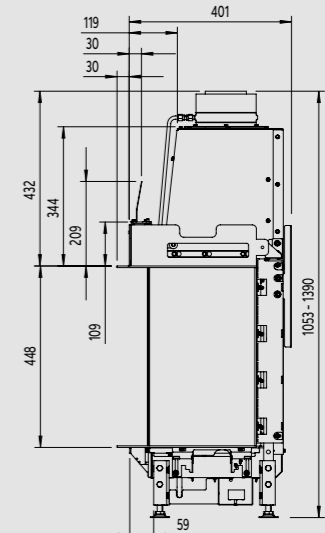
Front



Top



Side



3-sided models

Kalfire G range

Kalfire G90/44S

page 94

Kalfire G110/37S

page 96

Kalfire G130/37S

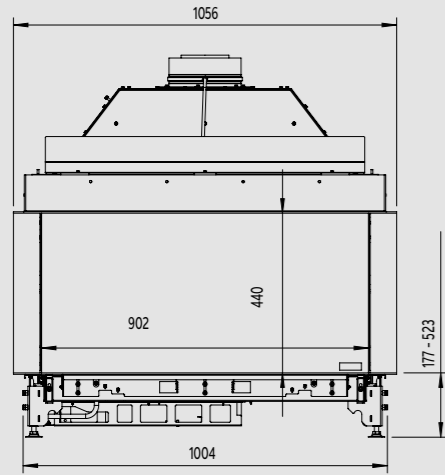
page 98

Kalfire G170/37S

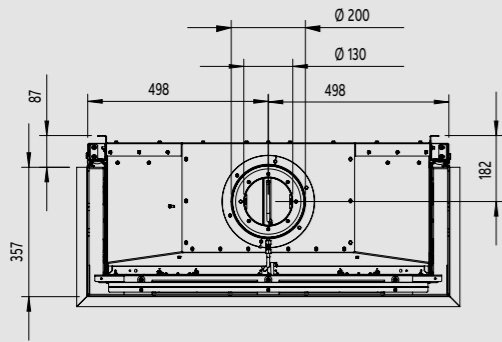
page 100



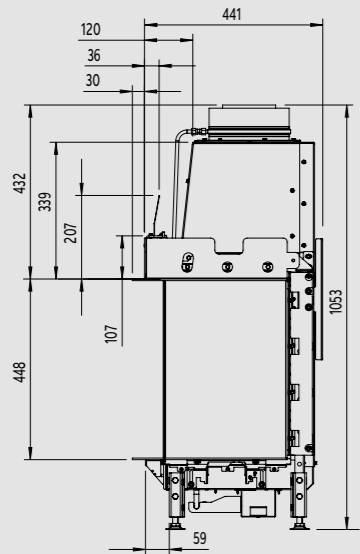
Front



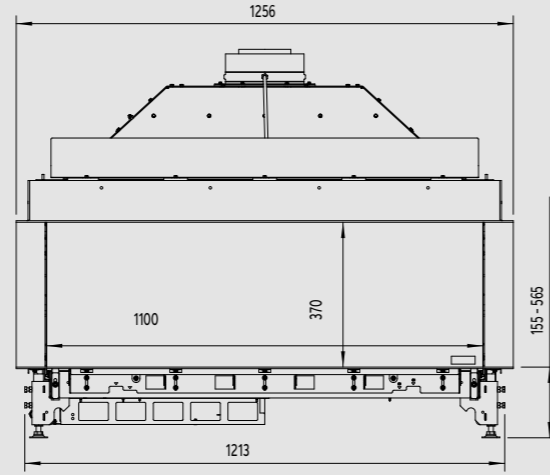
Top



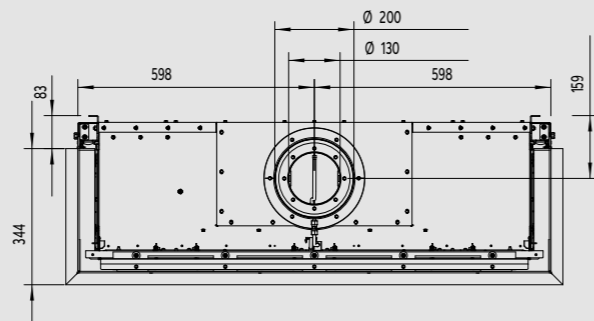
Side



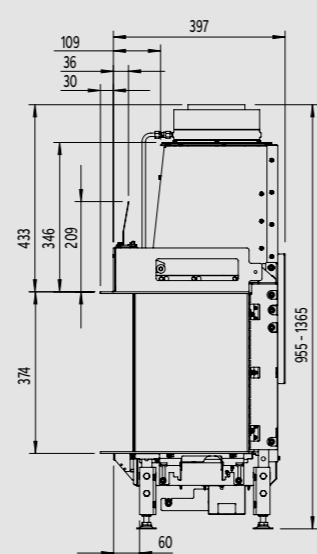
Front



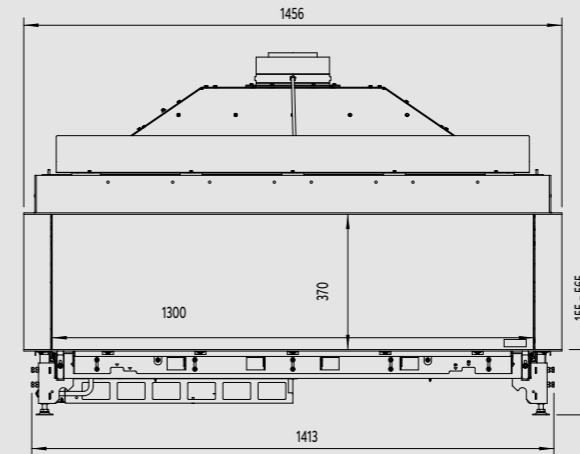
Top



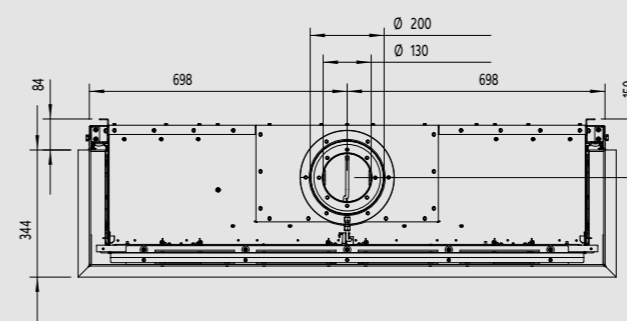
Side



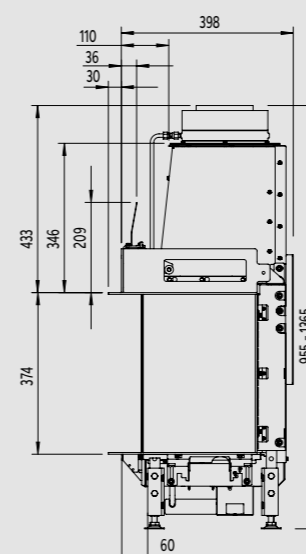
Front



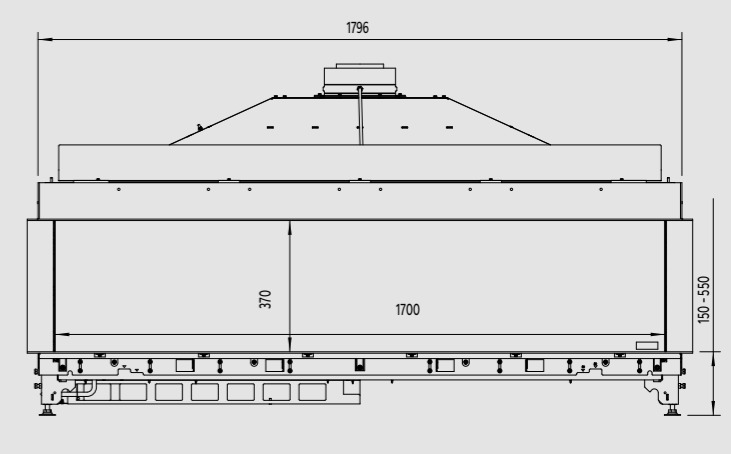
Top



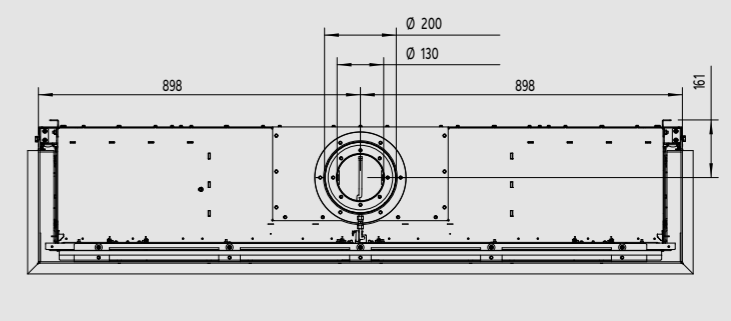
Side



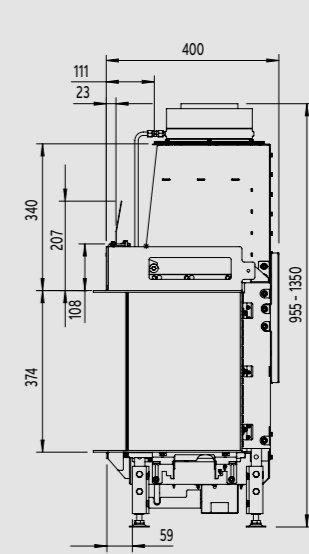
Front



Top



Side



Tunnel/Room divider models

Kalfire GP range

Kalfire GP80/54T

page 102

Kalfire GP85/50R

page 104

Kalfire GP110/59T

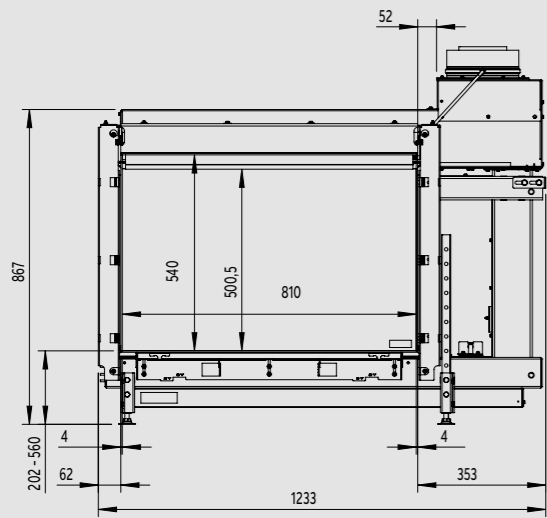
page 106

Kalfire GP115/55R

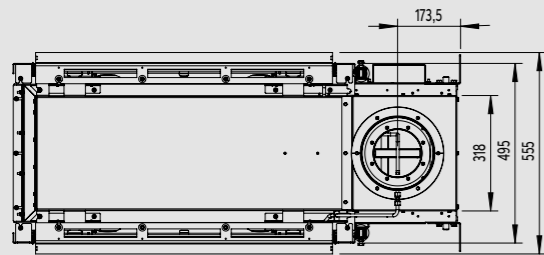
page 108



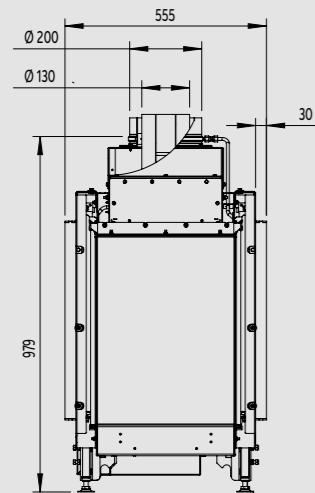
Front



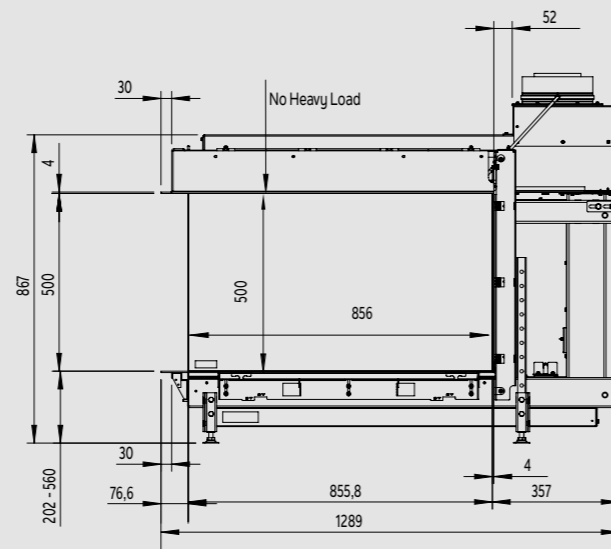
Top



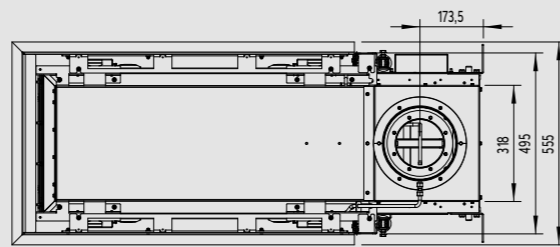
Side



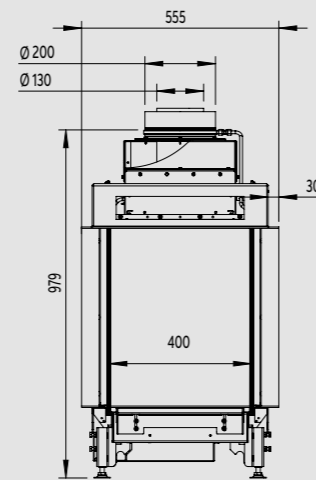
Front



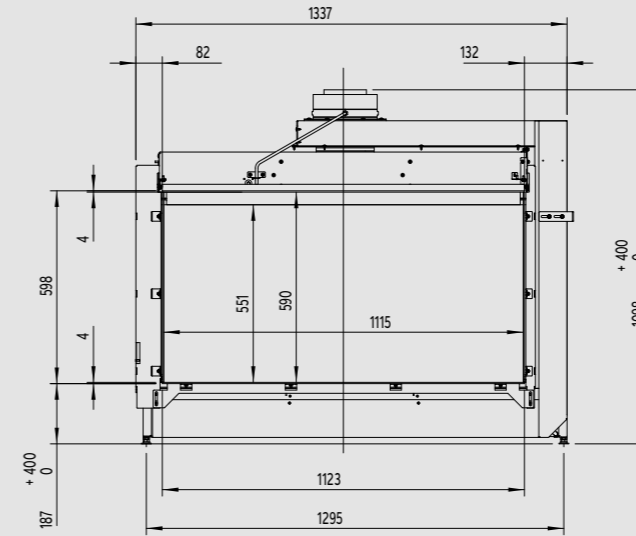
Top



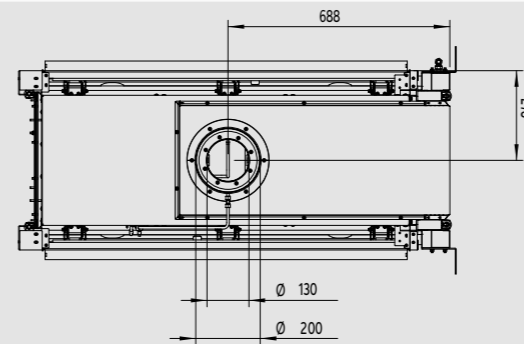
Side



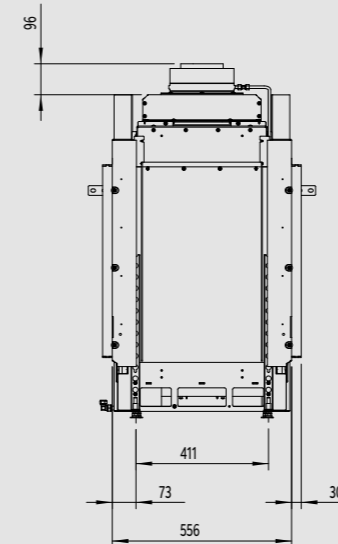
Front



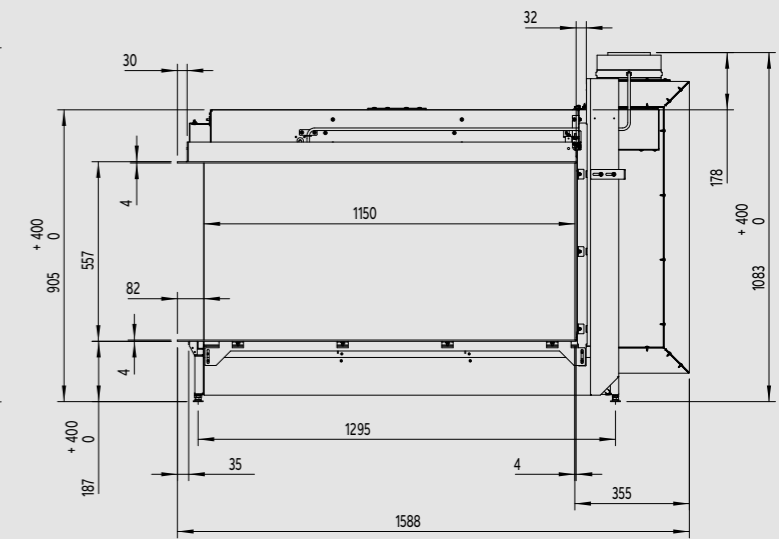
Top



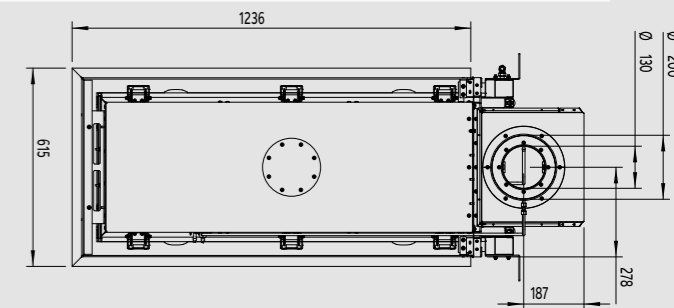
Side



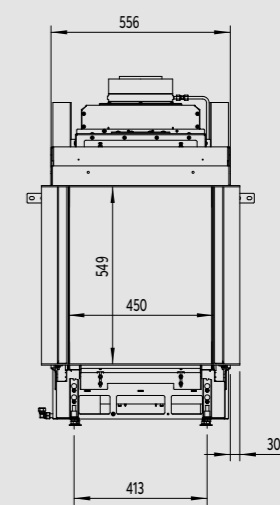
Front



Top



Side



Tunnel/Room divider models



Kalfire GP range

Kalfire GP110/79T

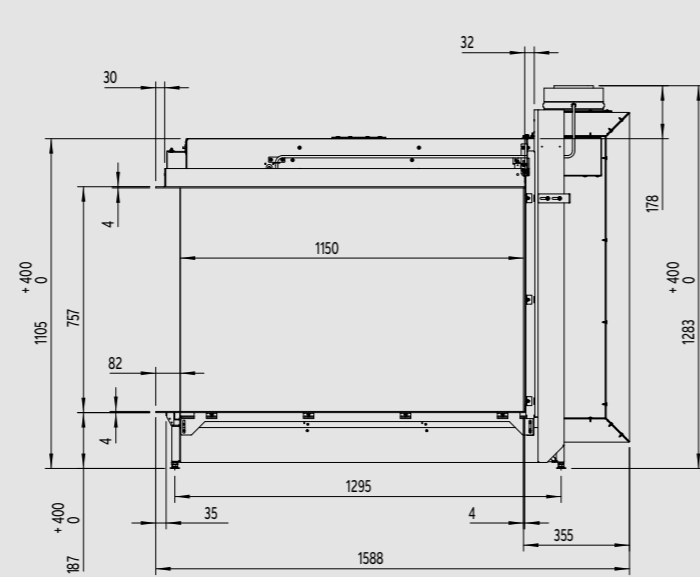
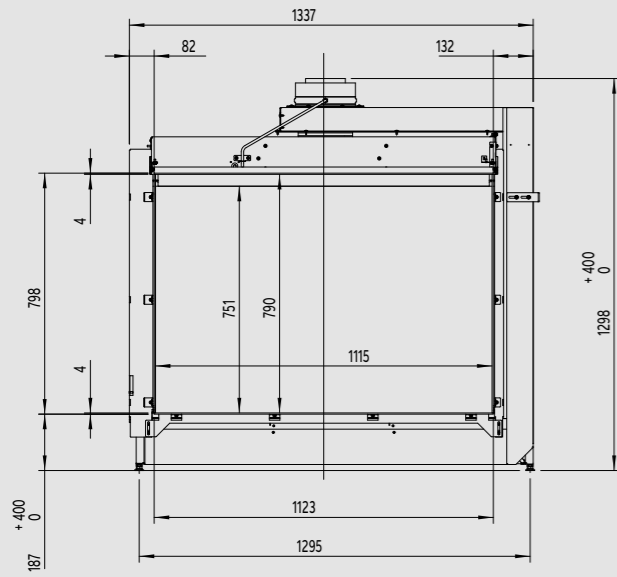
page 110

Kalfire GP115/75R

page 112

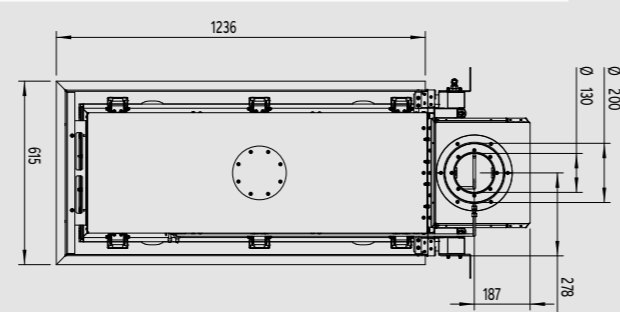
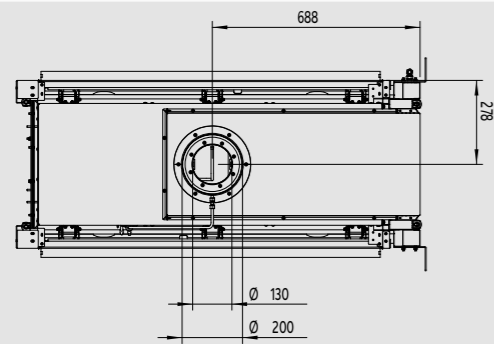
Front

Front



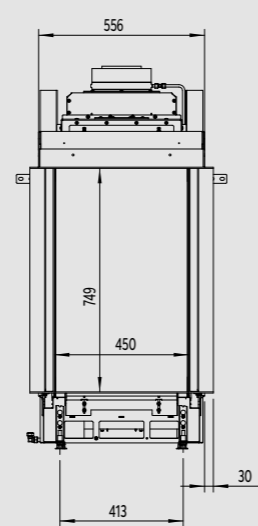
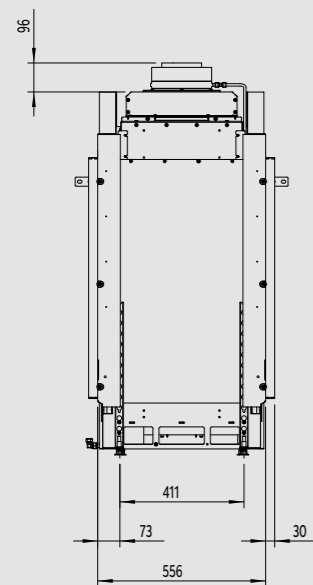
Top

Top



Side

Side



KALFIRE
FIREPLACES

[KALFIRE.COM](https://www.kalfire.com)

Geloërveldweg 21
5951 DH Belfeld, NL

info@kalfire.com
KALFIRE.COM

01-2021